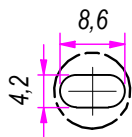
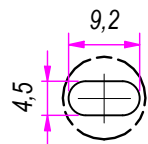


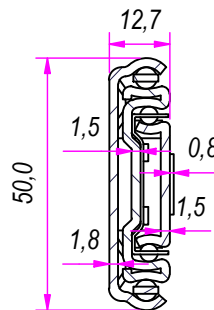
B (1:1)



C (1:1)



SEZ. A-A

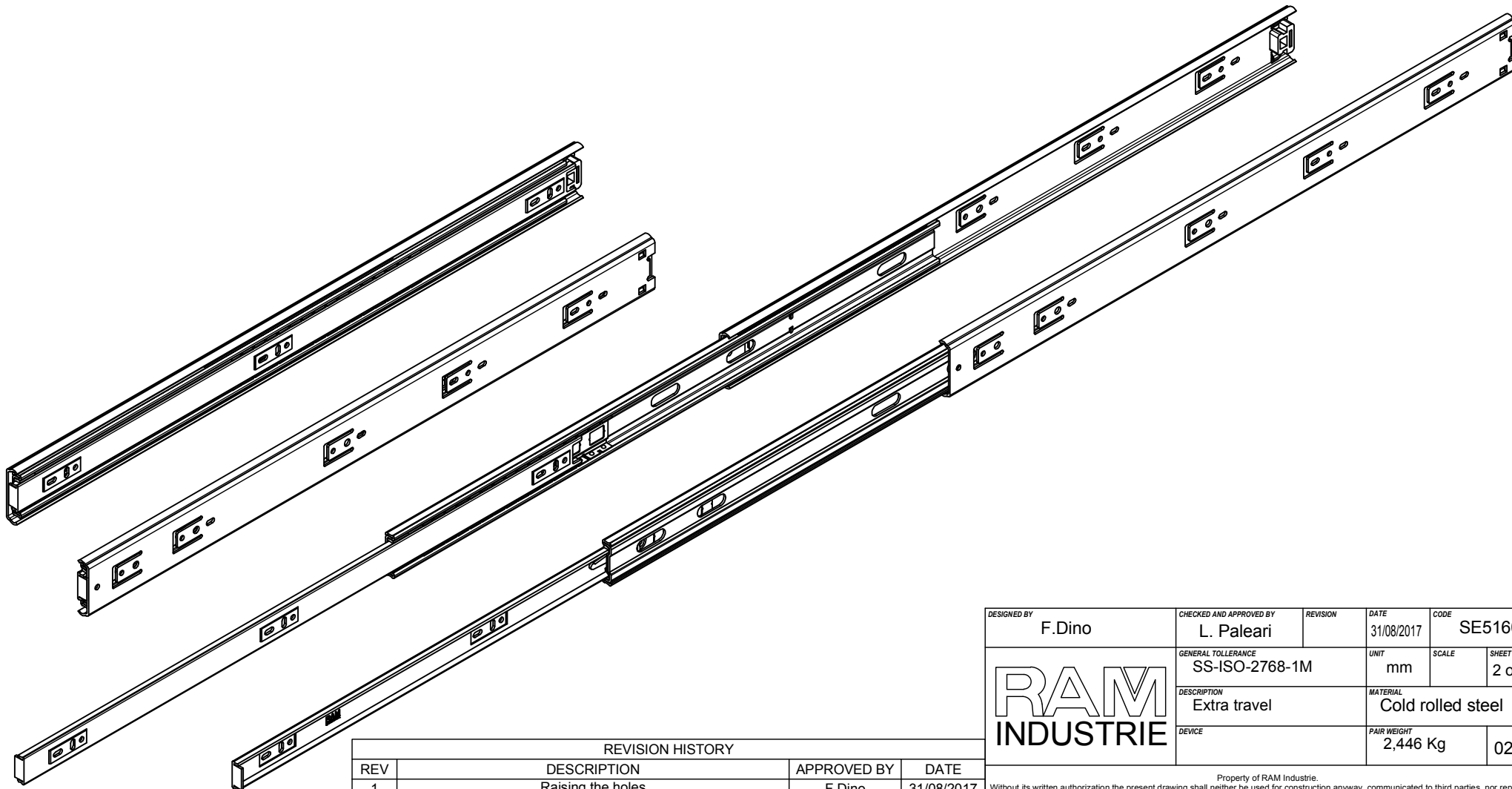
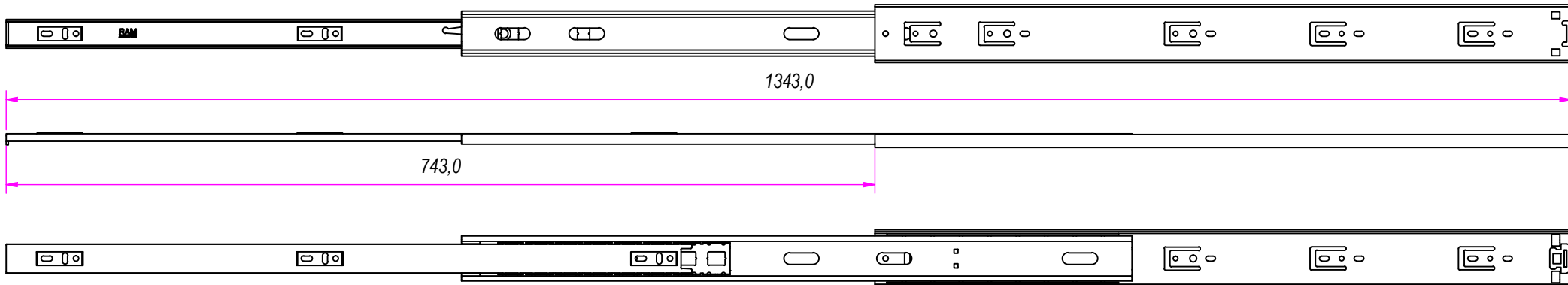


REVISION HISTORY			
REV	DESCRIPTION	APPROVED BY	DATE
1	Raising the holes	F.Dino	31/08/2017


DESIGNED BY F.Dino	CHECKED AND APPROVED BY L. Paleari	REVISION	DATE 31/08/2017	CODE SE51600
GENERAL TOLLERANCE SS-ISO-2768-1M			UNIT mm	SCALE SHEET 1 of 2
DESCRIPTION Extra travel			MATERIAL Cold rolled steel	
DEVICE			PAIR WEIGHT 2,446 Kg	02C

RAM
INDUSTRIE

Property of RAM Industrie.
Without its written authorization the present drawing shall neither be used for construction anyway, communicated to third parties, nor reproduced.



REVISION HISTORY			
REV	DESCRIPTION	APPROVED BY	DATE
1	Raising the holes	F.Dino	31/08/2017

DESIGNED BY F.Dino	CHECKED AND APPROVED BY L. Paleari	REVISION	DATE 31/08/2017	CODE SE51600
		GENERAL TOLLERANCE SS-ISO-2768-1M	UNIT mm	SCALE SHEET 2 of 2
		DESCRIPTION Extra travel	MATERIAL Cold rolled steel	
		DEVICE	PAIR WEIGHT 2,446 Kg	02C

Property of RAM Industrie.
Without its written authorization the present drawing shall neither be used for construction anyway, communicated to third parties, nor reproduced.