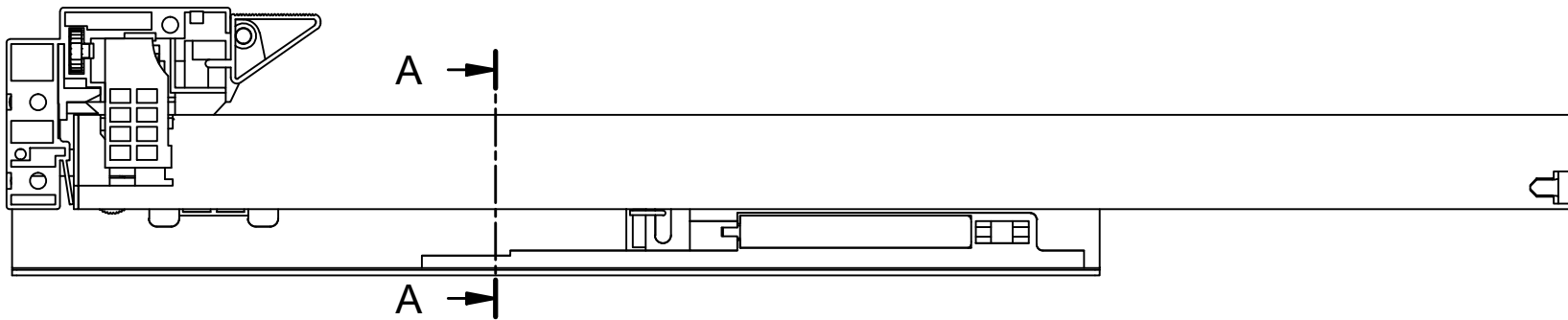
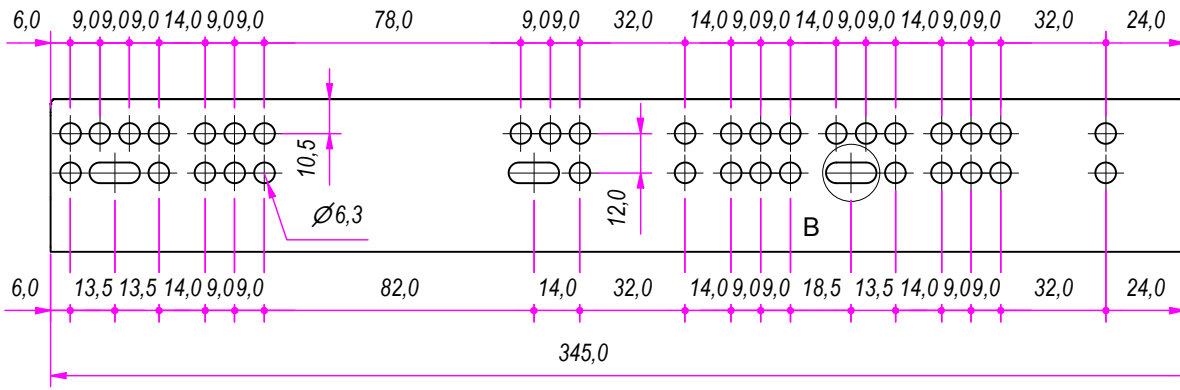
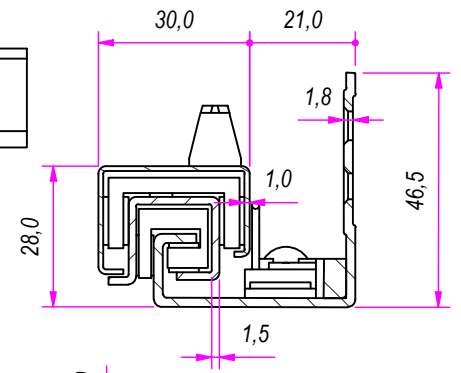
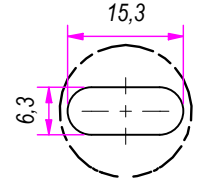


SEZ. A-A



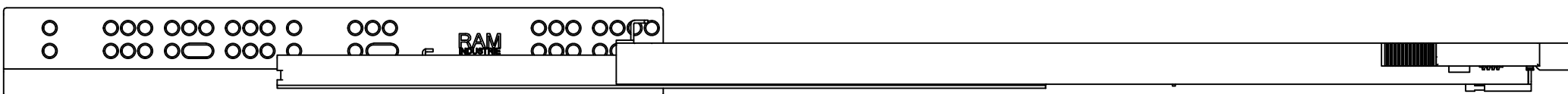
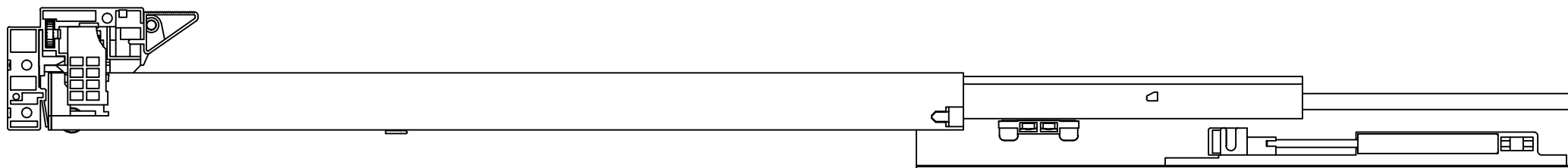
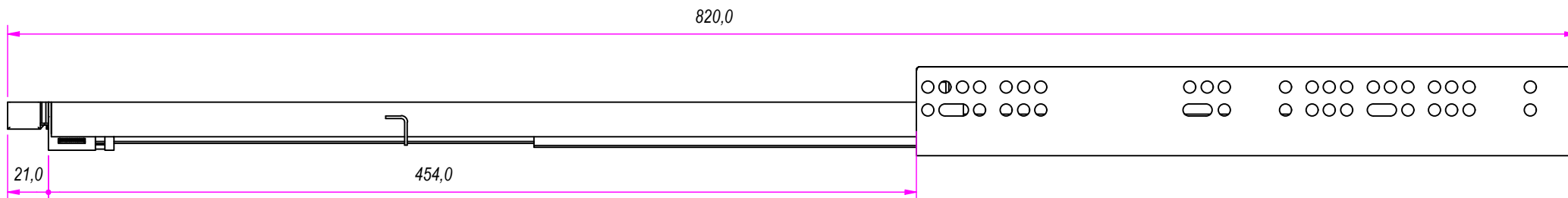
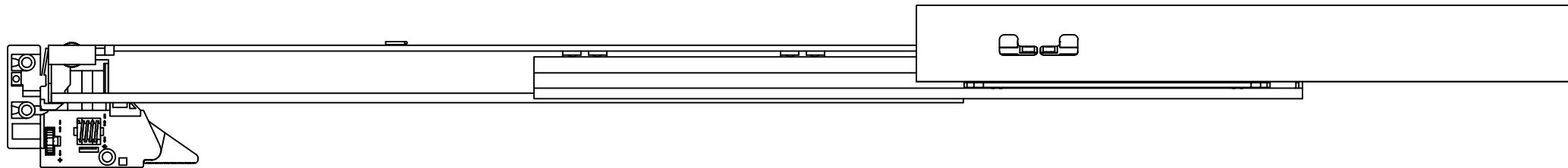
B (1:1)



DESIGNED BY F. Dino	CHECKED AND APPROVED BY L. Paleari	GENERAL TOLLERANCE SS-ISO-2768-1M	DATE 19/07/2019	CODE Q24500
		PACKAGING Carton 10 sets/Packed R+L	UNIT mm	SHEET 1 of 3
		DESCRIPTION 3 adjustment handle	MATERIAL Cold rolled steel	04C
		DEVICE Soft self closing/Oil piston	PAIR WEIGHT 2,212 Kg	PAIR WEIGHT WITH CARTON 2,319 Kg

		REVISION HISTORY	
		REV	DESCRIPTION
Guide per cassetti; guide telescopiche	Coulisses à billes; coulisse télescopique		
Drawer slide; telescopic ball bearing slide	Guías para cajones; guía teleópica	1a	
Kugelführung; Teleskopschienen			

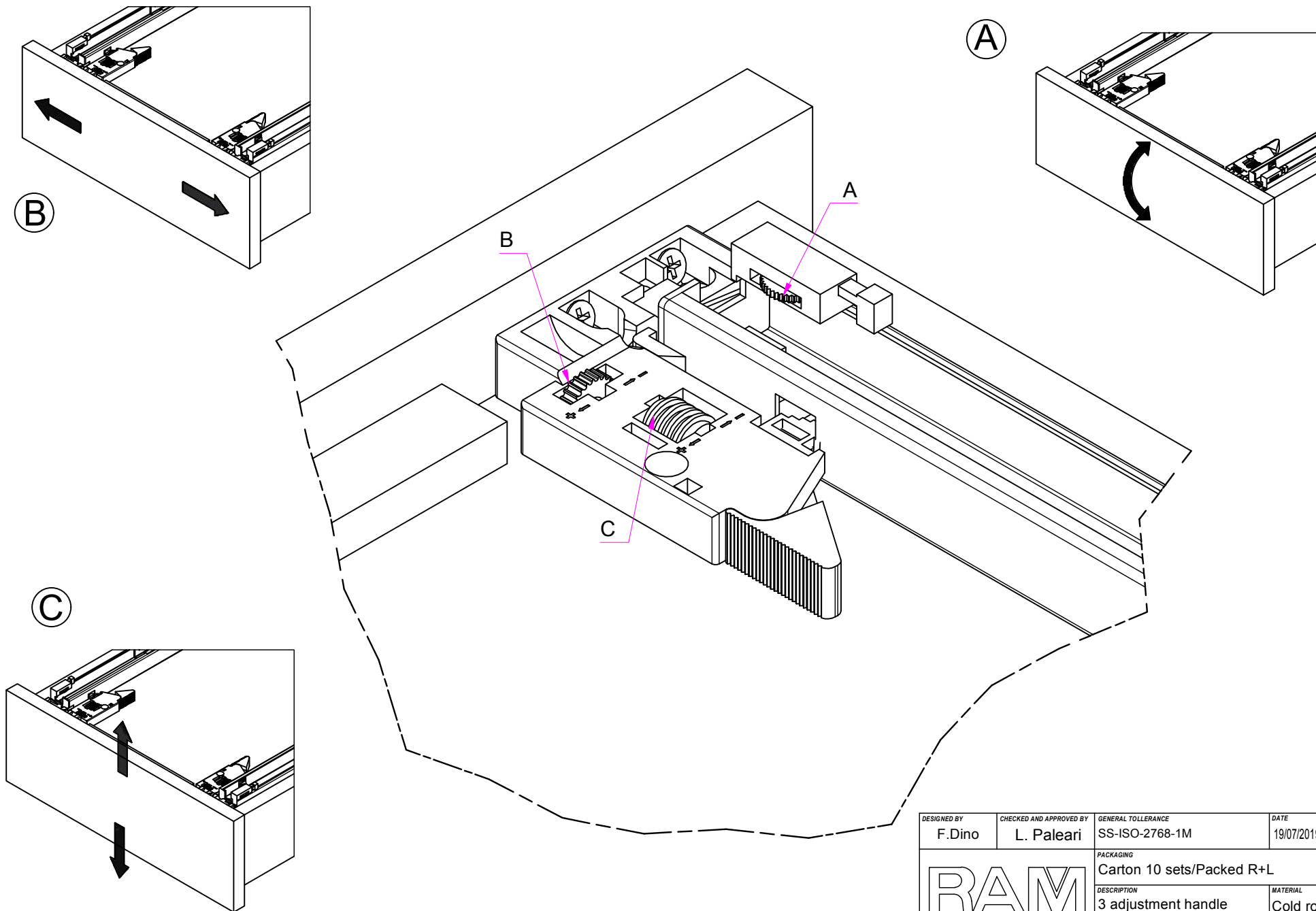
Property of RAM Industrie.
Without its written authorization the present drawing shall neither be used for construction anyway, communicated to third parties, nor reproduced.




Guide per cassetti; guide telescopiche	Coulisses à billes; coulisse télescopique
Drawer slide; telescopic ball bearing slide	Guías para cajones; guía teleópica
Kugelführung; Teleskopschienen	

REVISION HISTORY	
REV	DESCRIPTION
1a	

DESIGNED BY F. Dino	CHECKED AND APPROVED BY L. Paleari	GENERAL TOLLERANCE SS-ISO-2768-1M	DATE 19/07/2019	CODE Q24500
		PACKAGING Carton 10 sets/Packed R+L	UNIT mm	SHEET 2 of 3
		DESCRIPTION 3 adjustment handle	MATERIAL Cold rolled steel	04C
		DEVICE Soft self closing/Oil piston	PAIR WEIGHT 2,212 Kg	PAIR WEIGHT WITH CARTON 2,319 Kg
Property of RAM Industrie.				
Without its written authorization the present drawing shall neither be used for construction anyway, communicated to third parties, nor reproduced.				



DESIGNED BY F. Dino	CHECKED AND APPROVED BY L. Paleari	GENERAL TOLERANCE SS-ISO-2768-1M	DATE 19/07/2019	CODE Q24500
PACKAGING Carton 10 sets/Packed R+L			UNIT mm	SHEET 3 of 3
			MATERIAL Cold rolled steel	
			04C	
DESCRIPTION 3 adjustment handle			PAIR WEIGHT	PAIR WEIGHT WITH CARTON
DEVICE Soft self closing/Oil piston			2,212 Kg	2,319 Kg

Property of RAM Industrie.
Without its written authorization the present drawing shall neither be used for construction anyway, communicated to third parties, nor reproduced.