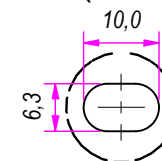
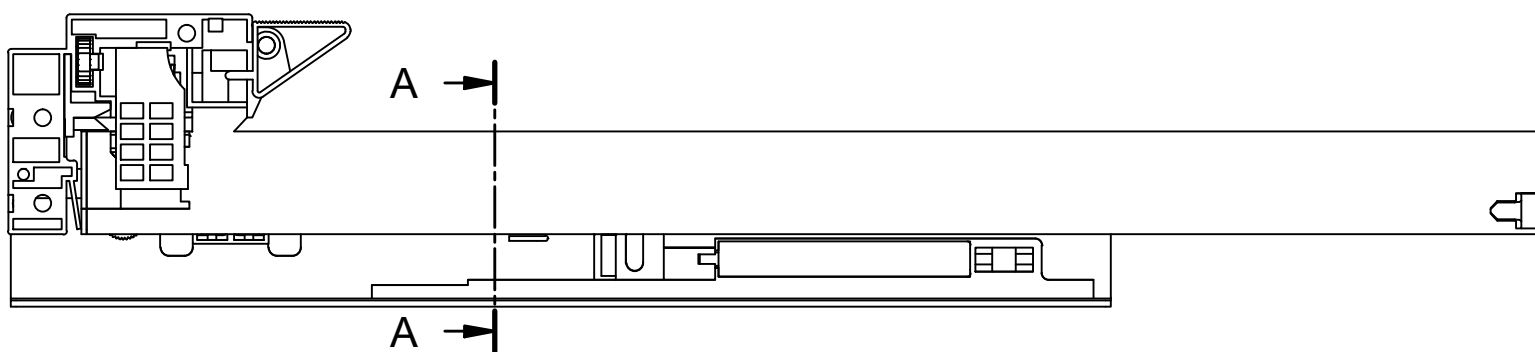
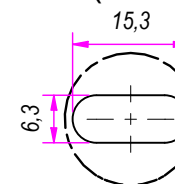


**B (1:1)**



**C (1:1)**

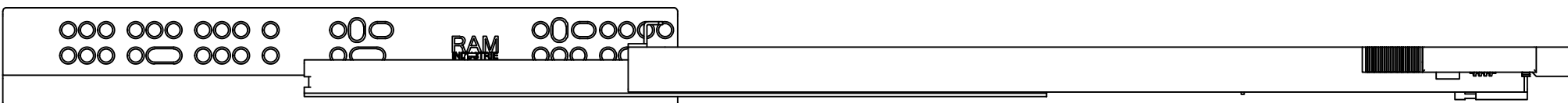
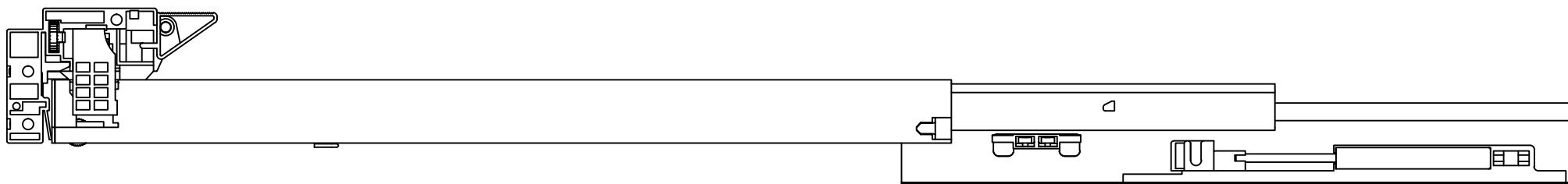
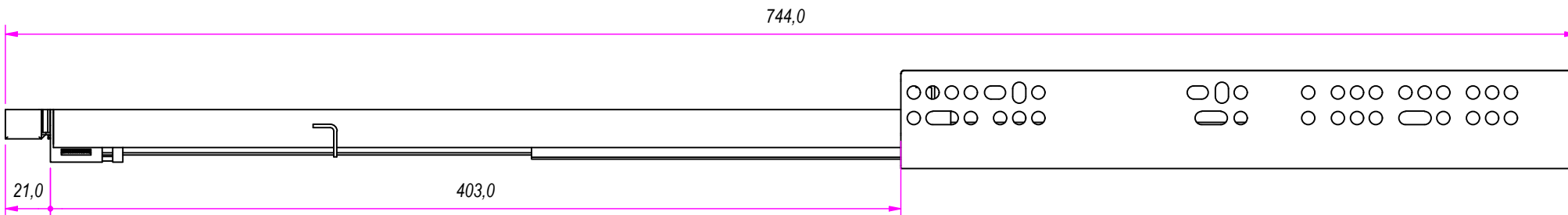
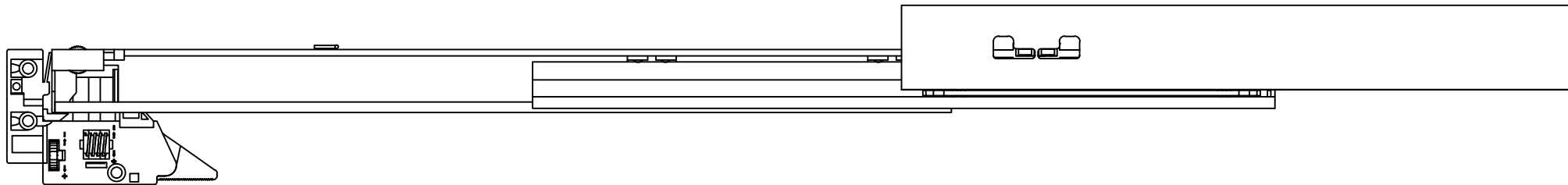


DESIGNED BY F. Dino	CHECKED AND APPROVED BY L. Paleari	GENERAL TOLERANCE SS-ISO-2768-1M	DATE 19/07/2019	CODE Q24450_3D
PACKAGING Carton 10 sets/Packed R+L			UNIT mm	SHEET 1 of 3
DESCRIPTION 3 adjustment handle			MATERIAL Cold rolled steel 04C	
DEVICE Soft self closing/Oil piston			PAIR WEIGHT 1,982 Kg	PAIR WEIGHT WITH CARTON 2,083 Kg

**RAM  
INDUSTRIE**

REVISION HISTORY		REV	DESCRIPTION	DATE
Guide per cassetti; guide telescopiche	Coulisses à billes; coulisse télescopique	1a		19/07/2019
Drawer slide; telescopic ball bearing slide	Guías para cajones; guía teleópica			
Kugelführung; Teleskopschienen				

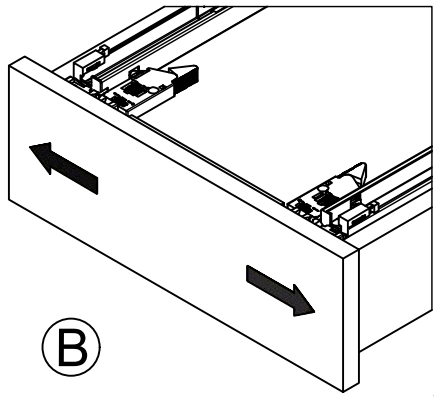
Property of RAM Industrie.  
Without its written authorization the present drawing shall neither be used for construction anyway, communicated to third parties, nor reproduced.



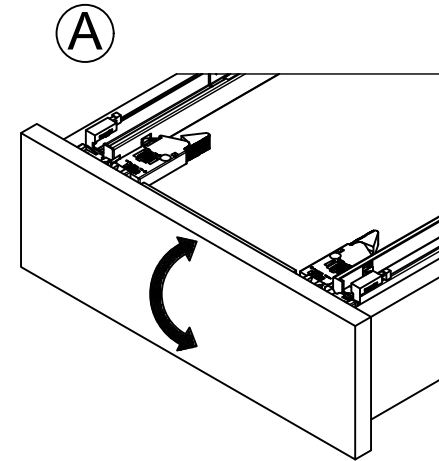
Guide per cassetti; guide telescopica	Coulisses à billes; coulisse télescopique
Drawer slide; telescopic ball bearing slide	Guías para cajones; guía teleópica
Kugelführung; Teleskopschienen	

REVISION HISTORY	
REV	DESCRIPTION
1a	

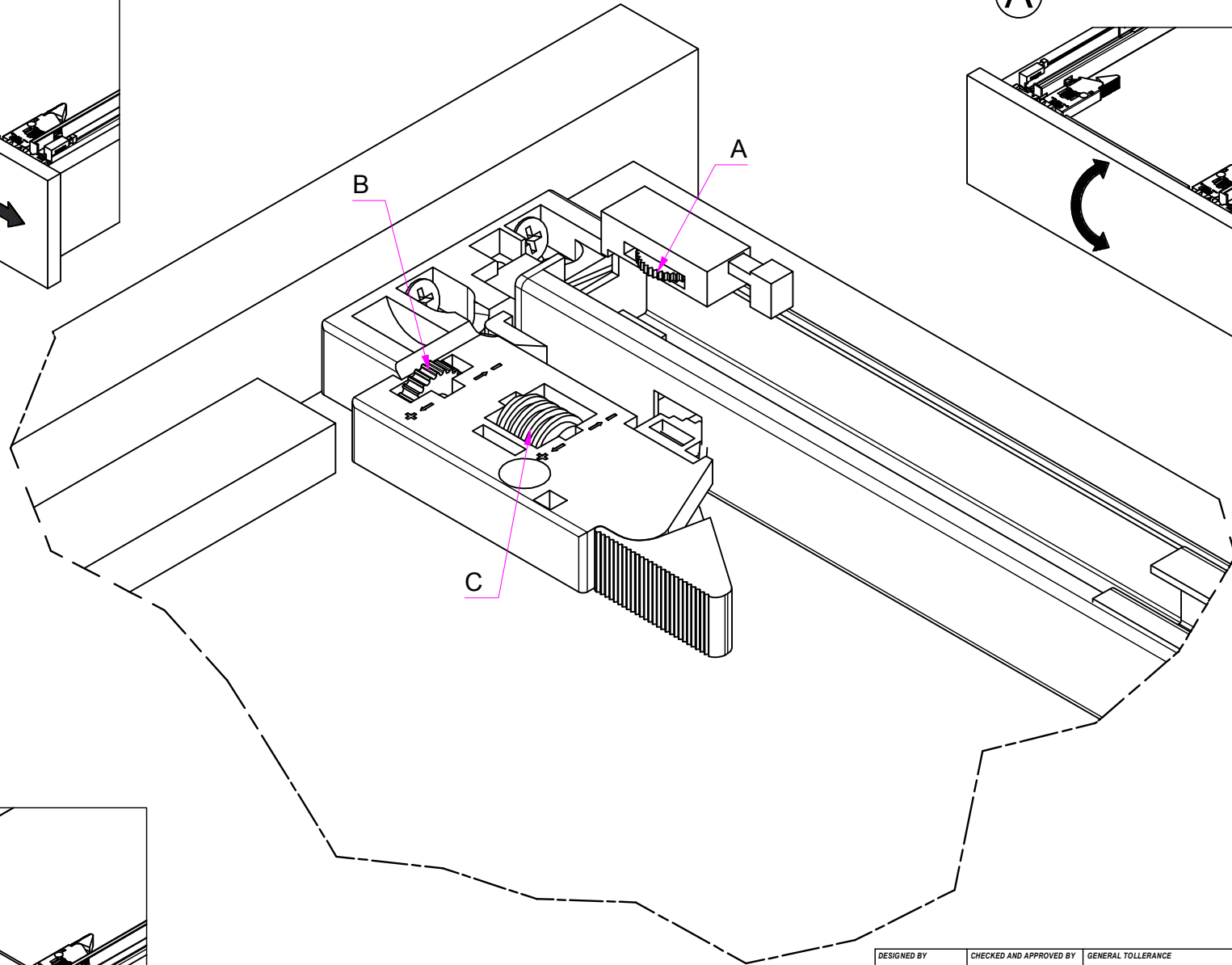
DESIGNED BY F. Dino	CHECKED AND APPROVED BY L. Paleari	GENERAL TOLLERANCE SS-ISO-2768-1M	DATE 19/07/2019	CODE Q24450_3D
		PACKAGING Carton 10 sets/Packed R+L	UNIT mm	SHEET 2 of 3
		DESCRIPTION 3 adjustment handle	MATERIAL Cold rolled steel	04C
		DEVICE Soft self closing/Oil piston	PAIR WEIGHT 1,982 Kg	PAIR WEIGHT WITH CARTON 2,083 Kg
Property of RAM Industrie.				
Without its written authorization the present drawing shall neither be used for construction anyway, communicated to third parties, nor reproduced.				



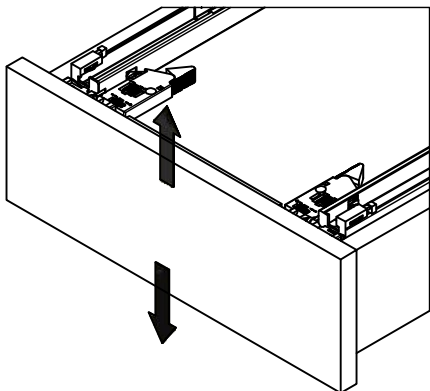
B




A



C



DESIGNED BY F.Dino	CHECKED AND APPROVED BY L. Paleari	GENERAL TOLLERANCE SS-ISO-2768-1M	DATE 19/07/2019	CODE Q24450_3D
		PACKAGING Carton 10 sets/Packed R+L	UNIT mm	SHEET 3 of 3
		DESCRIPTION 3 adjustment handle	MATERIAL Cold rolled steel 04C	
DEVICE Soft self closing/Oil piston	PAIR WEIGHT 1,982 Kg	PAIR WEIGHT WITH CARTON 2,083 Kg		

Property of RAM Industrie.  
Without its written authorization the present drawing shall neither be used for construction anyway, communicated to third parties, nor reproduced.