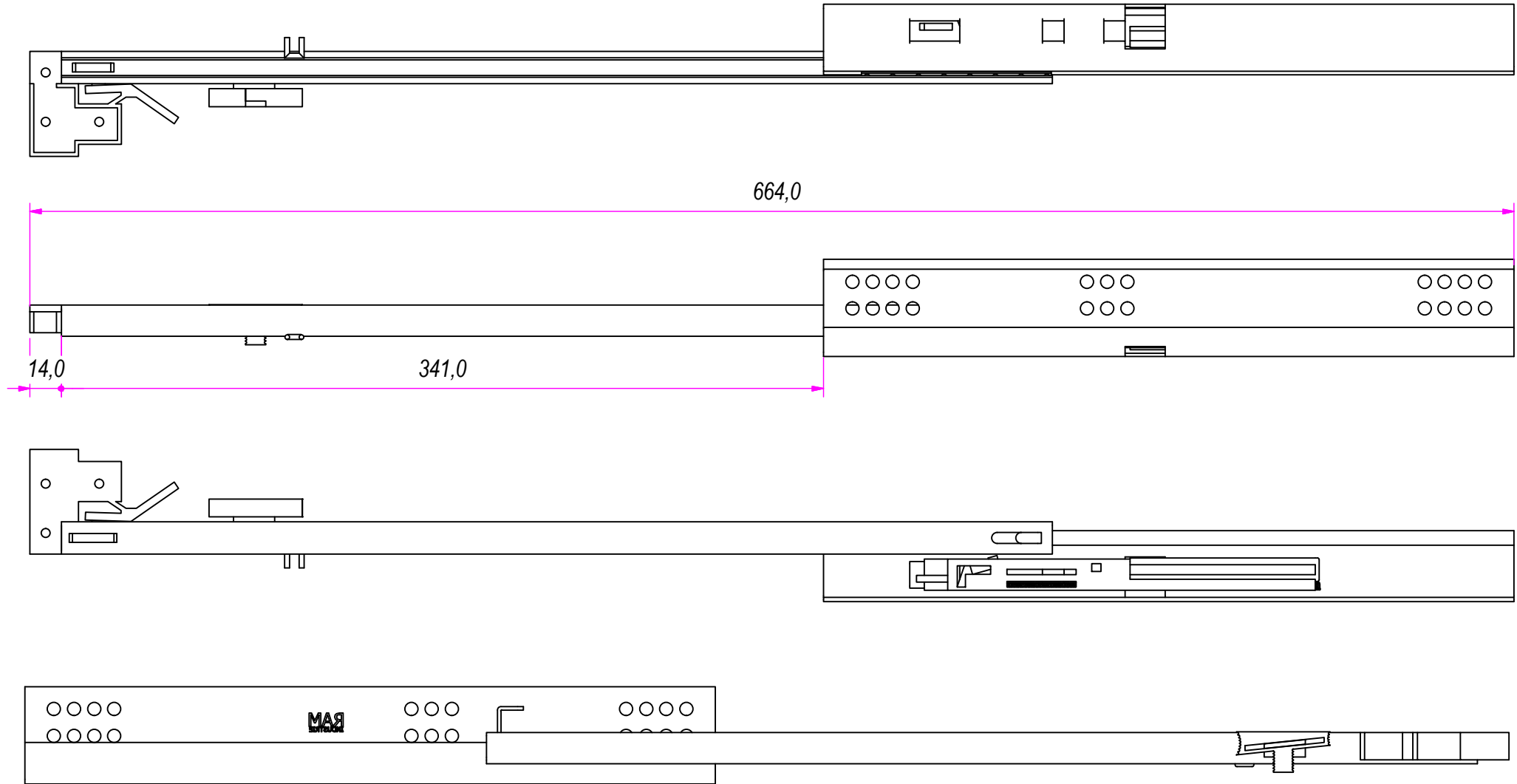



Guide per cassetti; guide telescopiche	Coulisses à billes; coulisse télescopique	REVISION HISTORY	
Drawer slide; telescopic ball bearing slide	Guías para cajones; guía teleópica	REV	DESCRIPTION
Kugelführung; Teleskopschienen		DATE	
		1a	07/03/2017

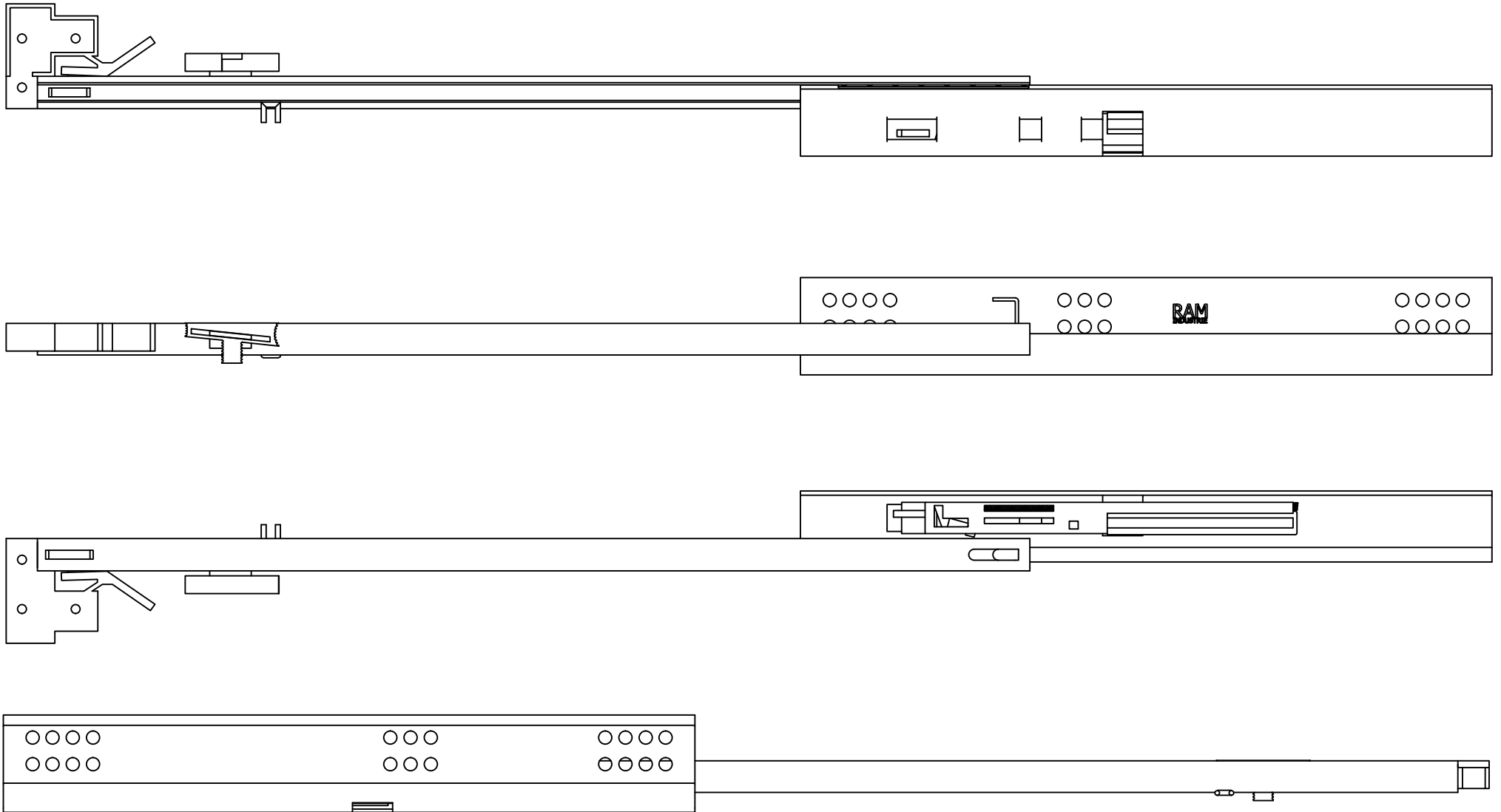
DESIGNED BY	CHECKED AND APPROVED BY	GENERAL TOLLERANCE	DATE	CODE
F.Dino	L. Paleari	SS-ISO-2768-1M	07/03/2017	Q16450
PACKAGING	DESCRIPTION	MATERIAL	UNIT	SHEET
Carton 10 sets/Packed R+L	Single extension	Cold rolled steel	mm	1 of 3
DEVICE	PAIR WEIGHT			
Soft self closing	1,17 Kg			09C
Property of RAM Industrie.				
Without its written authorization the present drawing shall neither be used for construction anyway, communicated to third parties, nor reproduced.				


RAM
INDUSTRIE



		REVISION HISTORY	
	REV	DESCRIPTION	DATE
Guide per cassetti; guide telescopiche			
Coulisses à billes; coulisse télescopique			
Drawer slide; telescopic ball bearing slide	1a		07/03/2017
Guías para cajones; guía teleópica			
Kugelführung; Teleskopschienen			

DESIGNED BY F. Dino	CHECKED AND APPROVED BY L. Paleari	GENERAL TOLERANCE SS-ISO-2768-1M	DATE 07/03/2017	CODE Q16450
		PACKAGING Carton 10/Packed R+L	UNIT mm	SHEET 2 of 3
		DESCRIPTION Single extension	MATERIAL Cold rolled steel	
		DEVICE Soft self closing	PAIR WEIGHT 1,17 Kg	09C
Property of RAM Industrie.				
Without its written authorization the present drawing shall neither be used for construction anyway, communicated to third parties, nor reproduced.				



DESIGNED BY F.Dino	CHECKED AND APPROVED BY L. Paleari	GENERAL TOLERANCE SS-ISO-2768-1M	DATE 07/03/2017	CODE Q16450
		PACKAGING Carton 10/Packed R+L	UNIT mm	SHEET 3 of 3
		DESCRIPTION Single extension	MATERIAL Cold rolled steel	
		DEVICE Soft self closing	PAIR WEIGHT 1,17 Kg	09C
<small>Property of RAM Industrie. Without its written authorization the present drawing shall neither be used for construction anyway, communicated to third parties, nor reproduced.</small>				