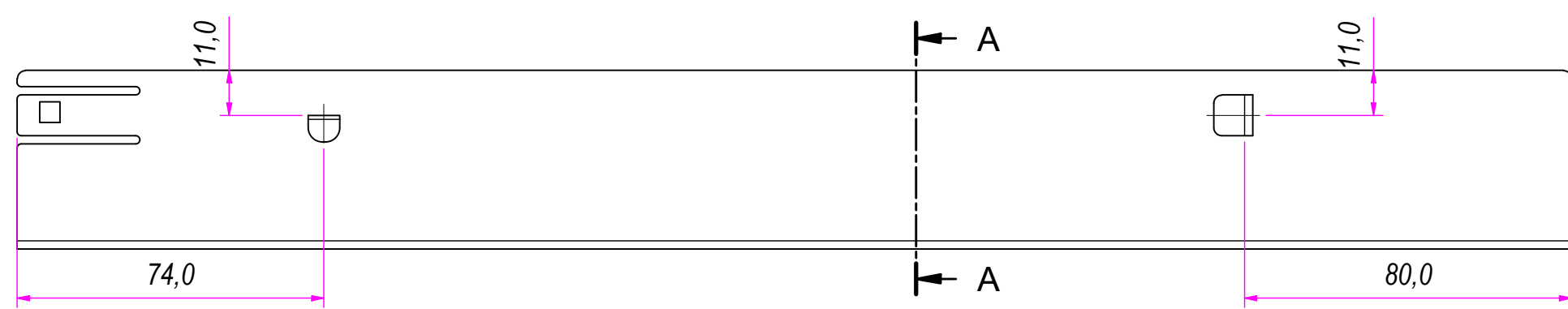
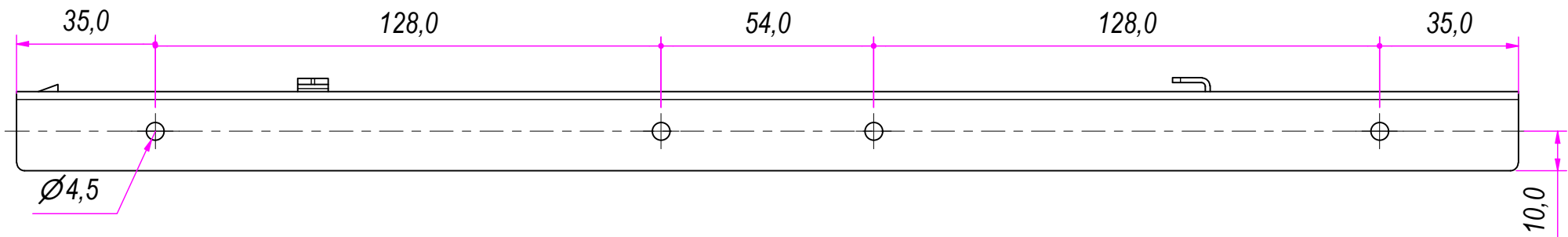
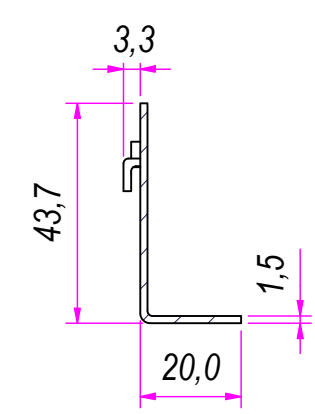


DESIGNED BY F.Dino	CHECKED AND APPROVED BY L. Paleari	REVISION	DATE 27/05/2016	CODE NE01400(LH)
GENERAL TOLERANCE SS-ISO-2768-1M		UNIT mm	SCALE	SHEET 1 of 2
DESCRIPTION Black finishing (cataphoresis coating)		MATERIAL Cold rolled steel		
PAIR WEIGHT 0,528 Kg		02C		

Property of RAM Industrie.
Without its written authorization the present drawing shall neither be used for construction anyway, communicated to third parties, nor reproduced.



SEZ. A-A



DESIGNED BY F.Dino	CHECKED AND APPROVED BY L. Paleari	REVISION	DATE 27/05/2016	CODE NE01400(RH)
	GENERAL TOLLERANCE SS-ISO-2768-1M	UNIT mm	SCALE	SHEET 2 of 2
	DESCRIPTION Black finishing (cataphoresis coating)	MATERIAL Cold rolled steel	PAIR WEIGHT 0,528 Kg	02C
	<small>Property of RAM Industrie. Without its written authorization the present drawing shall neither be used for construction anyway, communicated to third parties, nor reproduced.</small>			