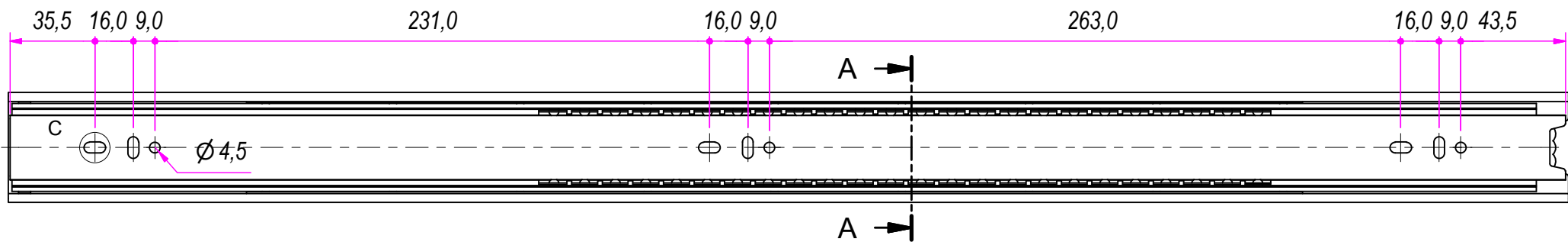
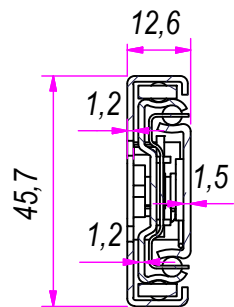


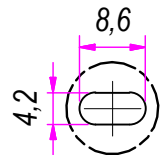
650,0



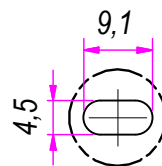
SEZ. A-A



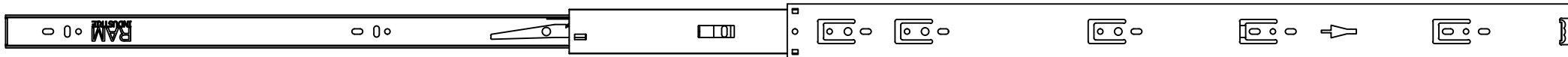
B (1:1)



C (1:1)

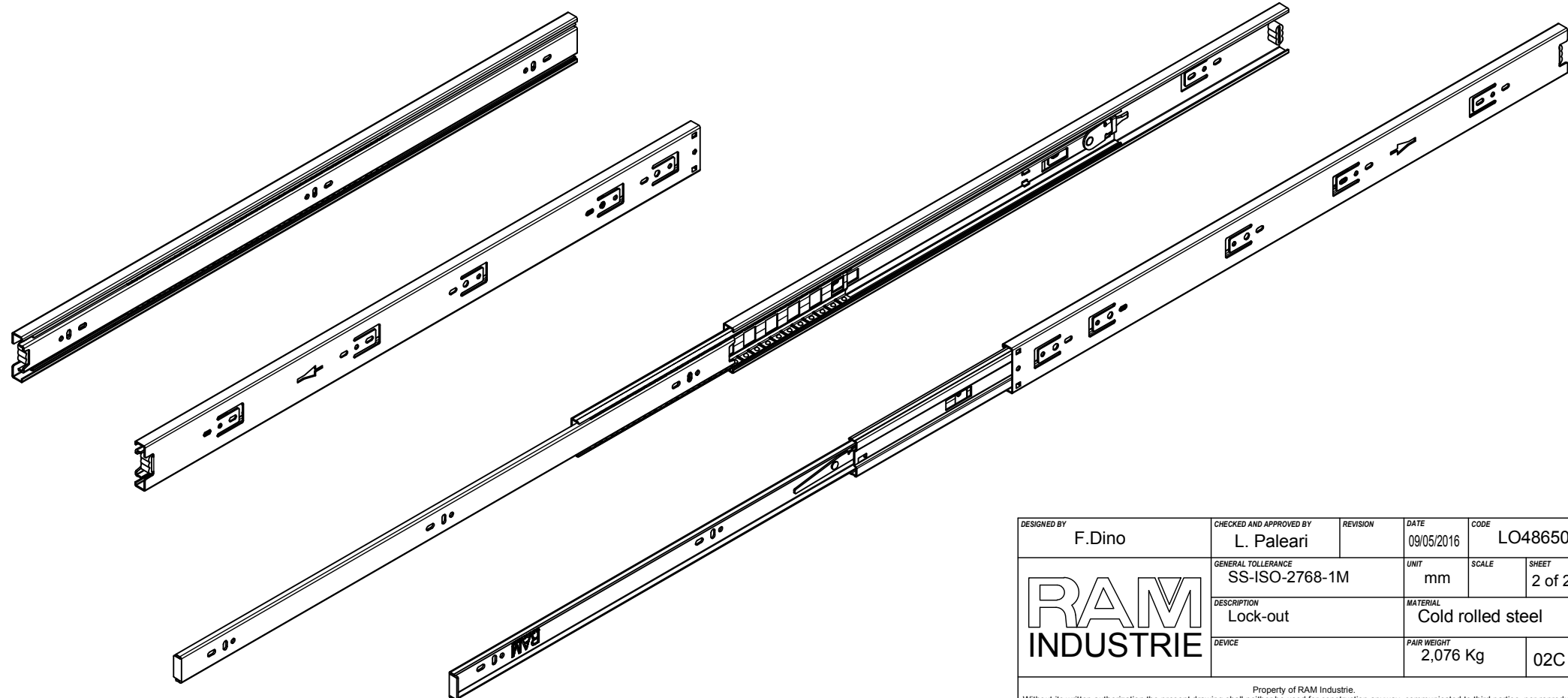
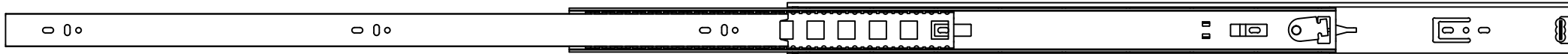
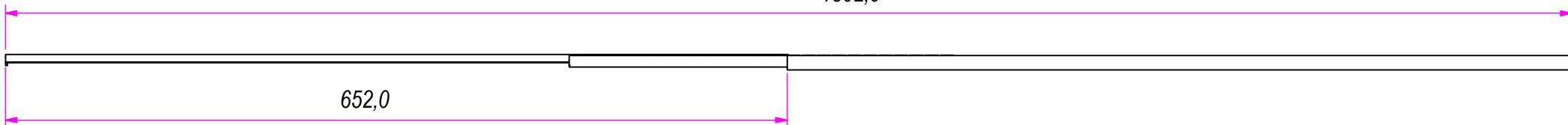



DESIGNED BY F.Dino	CHECKED AND APPROVED BY L. Paleari	REVISION	DATE 09/05/2016	CODE LO48650
	GENERAL TOLERANCE SS-ISO-2768-1M	UNIT mm	SCALE	SHEET 1 of 2
	DESCRIPTION Lock-out	MATERIAL Cold rolled steel		
	DEVICE	PAIR WEIGHT 2,076 Kg	02C	



1302,0

652,0



DESIGNED BY F.Dino	CHECKED AND APPROVED BY L. Paleari	REVISION	DATE 09/05/2016	CODE LO48650
		GENERAL TOLLERANCE SS-ISO-2768-1M	UNIT mm	SCALE SHEET 2 of 2
		DESCRIPTION Lock-out	MATERIAL Cold rolled steel	
DEVICE		PAIR WEIGHT 2,076 Kg	02C	

Property of RAM Industrie.
Without its written authorization the present drawing shall neither be used for construction anyway, communicated to third parties, nor reproduced.