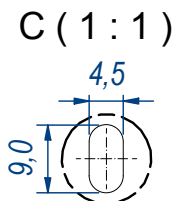
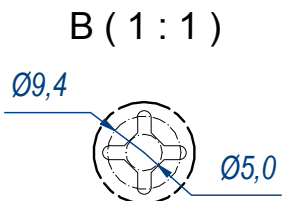
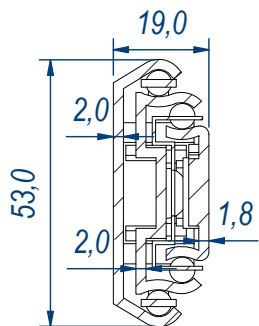
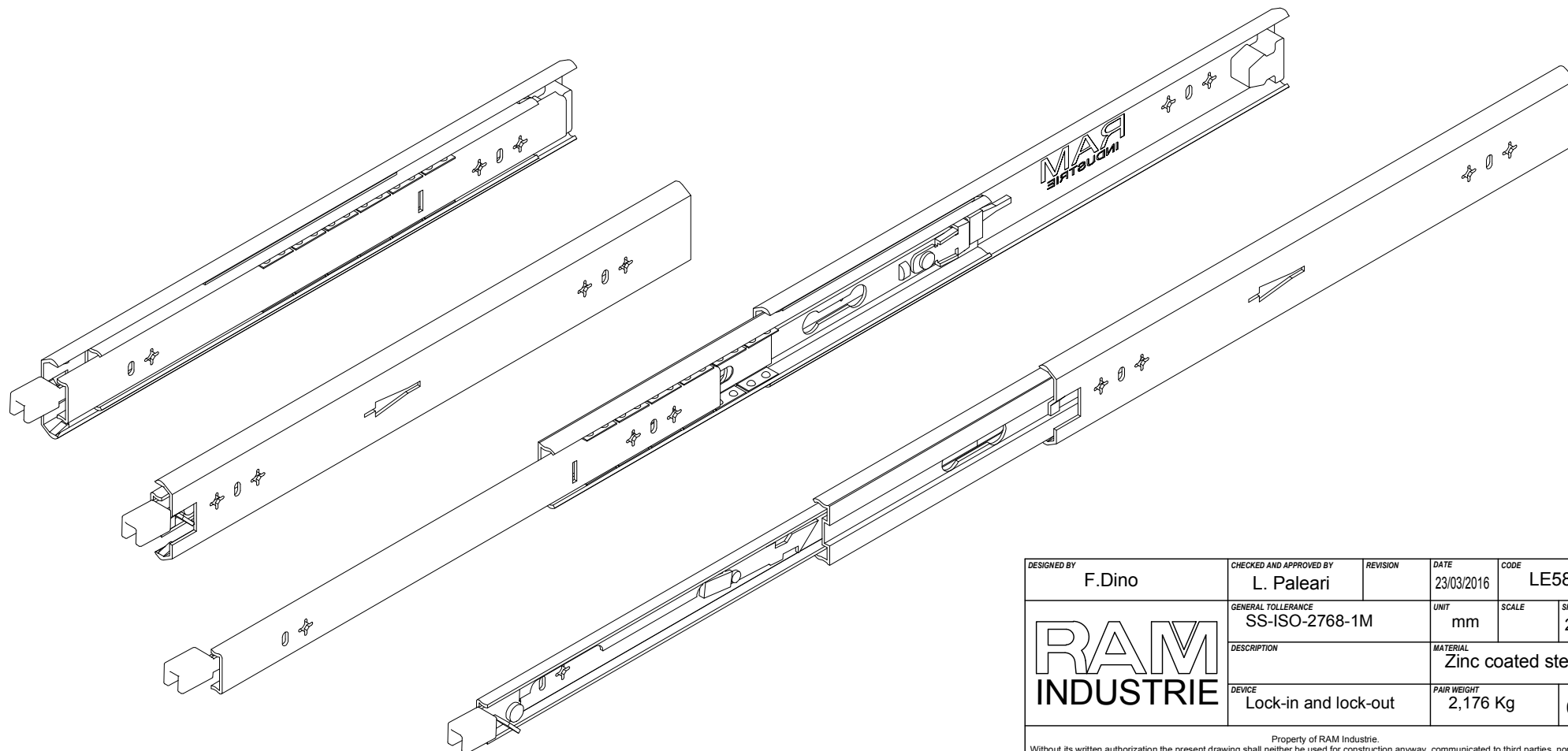
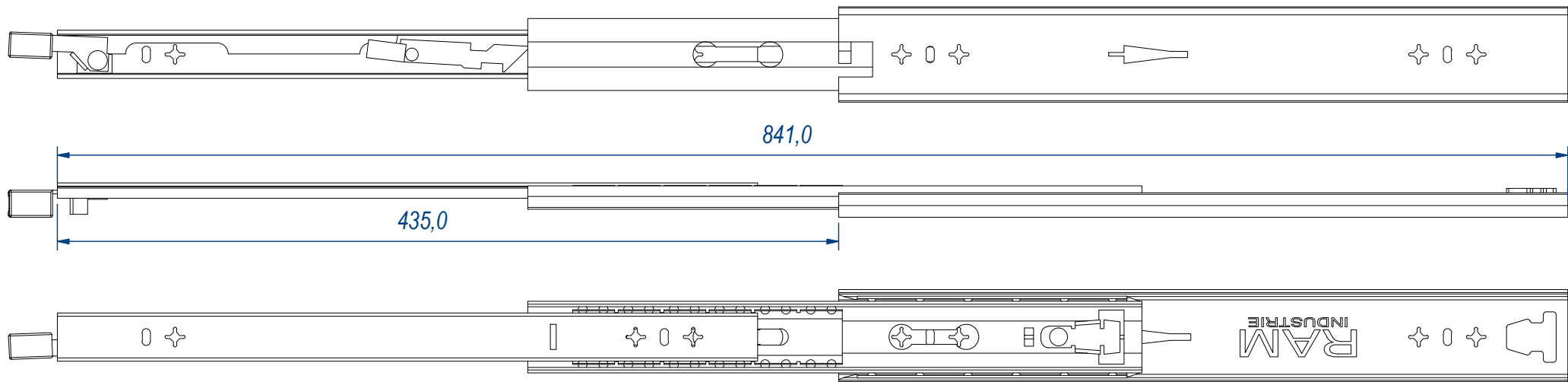



SEZ. A-A



DESIGNED BY F.Dino	CHECKED AND APPROVED BY L. Paleari	REVISION	DATE 23/03/2016	CODE LE58400
GENERAL TOLLERANCE SS-ISO-2768-1M			UNIT mm	SCALE SHEET 1 of 2
			MATERIAL Zinc coated steel	
			DEVICE Lock-in and lock-out	PAIR WEIGHT 2,176 Kg 02C



DESIGNED BY F.Dino	CHECKED AND APPROVED BY L. Paleari	REVISION	DATE 23/03/2016	CODE LE58400
		GENERAL TOLLERANCE SS-ISO-2768-1M	UNIT mm	SCALE 2 of 2
		DESCRIPTION Lock-in and lock-out	MATERIAL Zinc coated steel	PAIR WEIGHT 2,176 Kg
			02C	

Property of RAM Industrie.  
Without its written authorization the present drawing shall neither be used for construction anyway, communicated to third parties, nor reproduced.