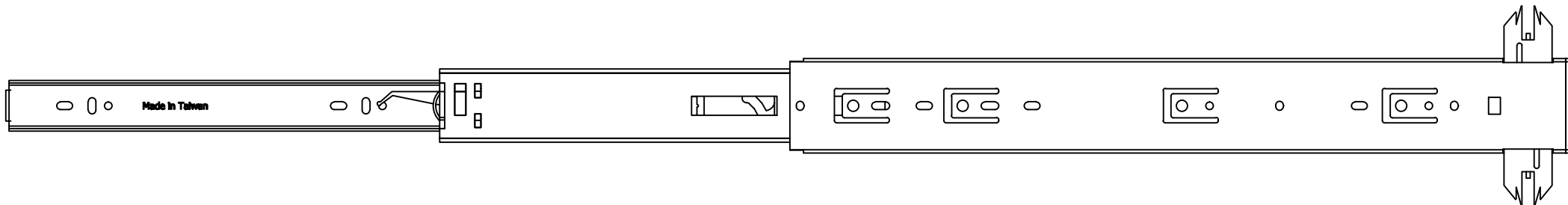


REVISION HISTORY			
REV	DESCRIPTION	APPROVED BY	DATE
1		F.Dino	19/12/2016

DESIGNED BY F.Dino	CHECKED AND APPROVED BY L. Paleari	DATE 19/12/2016	CODE IL61450
GENERAL TOLLERANCE SS-ISO-2768-1M		UNIT mm	SCALE 1 of 3
DESCRIPTION Made in Taiwan logo		MATERIAL Cold rolled steel	
DEVICE		PAIR WEIGHT 2,022 Kg	03T

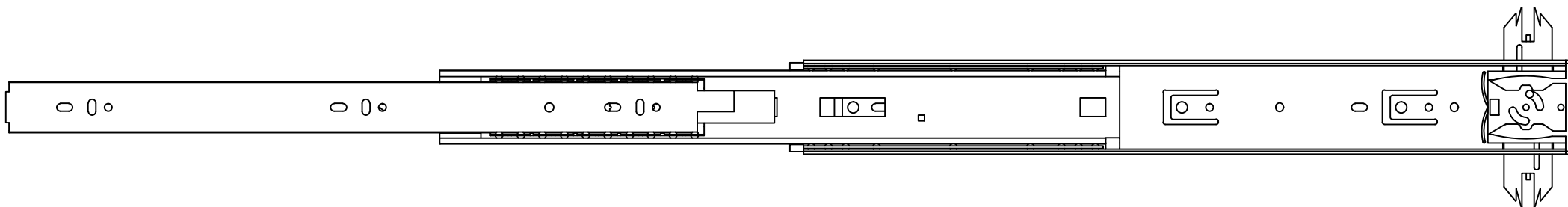
**RAM**  
**INDUSTRIE**

Property of RAM Industrie.  
Without its written authorization the present drawing shall neither be used for construction anyway, communicated to third parties, nor reproduced.




916,0

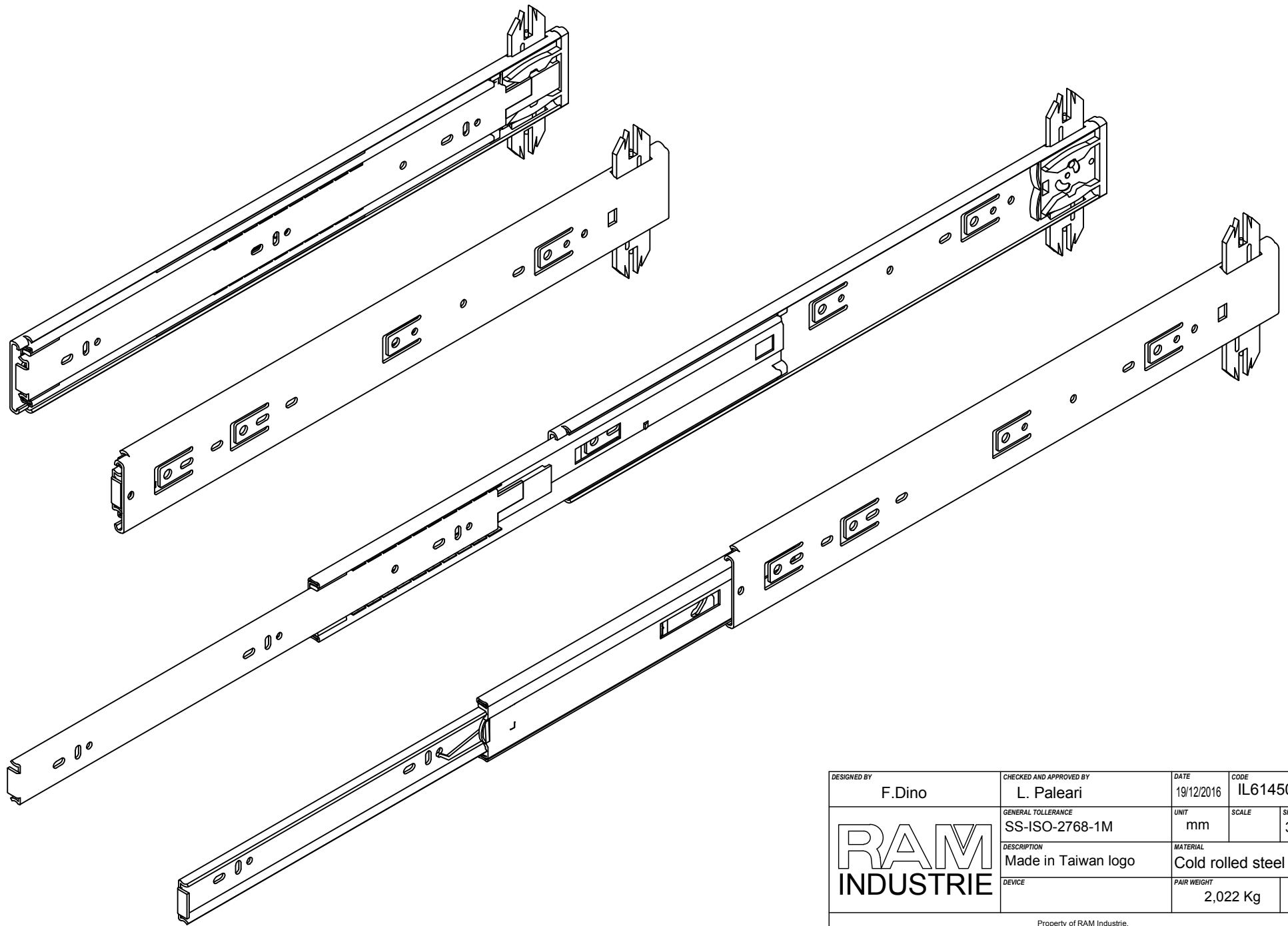
458,0




REVISION HISTORY			
REV	DESCRIPTION	APPROVED BY	DATE
1		F.Dino	19/12/2016

DESIGNED BY F.Dino	CHECKED AND APPROVED BY L. Paleari	DATE 19/12/2016	CODE IL61450	
	GENERAL TOLLERANCE SS-ISO-2768-1M	UNIT mm	SCALE	SHEET 2 of 3
	DESCRIPTION Made in Taiwan logo	MATERIAL Cold rolled steel		
	DEVICE	PAIR WEIGHT 2,022 Kg	03T	

Property of RAM Industrie.  
Without its written authorization the present drawing shall neither be used for construction anyway, communicated to third parties, nor reproduced.



DESIGNED BY F.Dino	CHECKED AND APPROVED BY L. Paleari	DATE 19/12/2016	CODE IL61450	
	GENERAL TOLLERANCE SS-ISO-2768-1M	UNIT mm	SCALE	SHEET 3 of 3
	DESCRIPTION Made in Taiwan logo	MATERIAL Cold rolled steel		
	DEVICE	PAIR WEIGHT 2,022 Kg	03T	

Property of RAM Industrie.  
Without its written authorization the present drawing shall neither be used for construction anyway, communicated to third parties, nor reproduced.