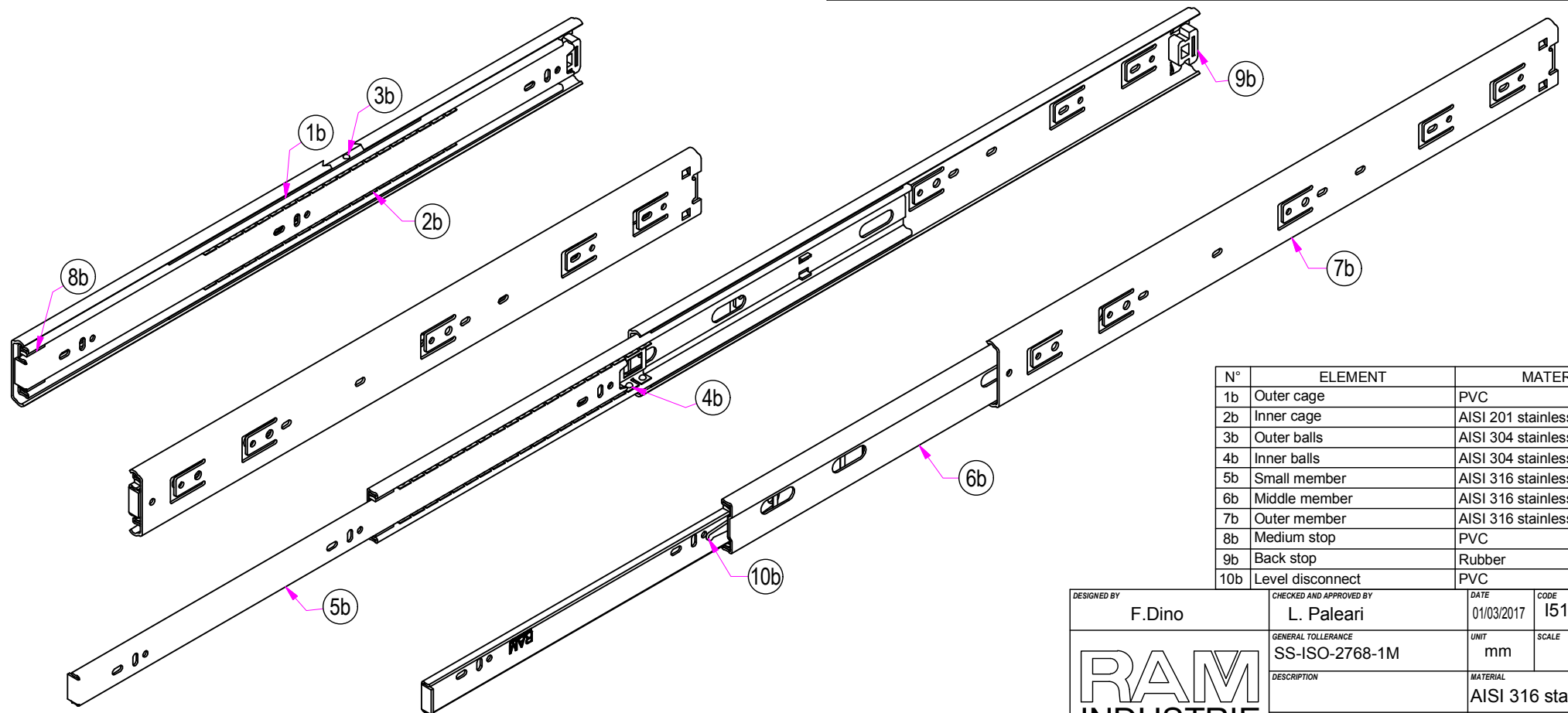
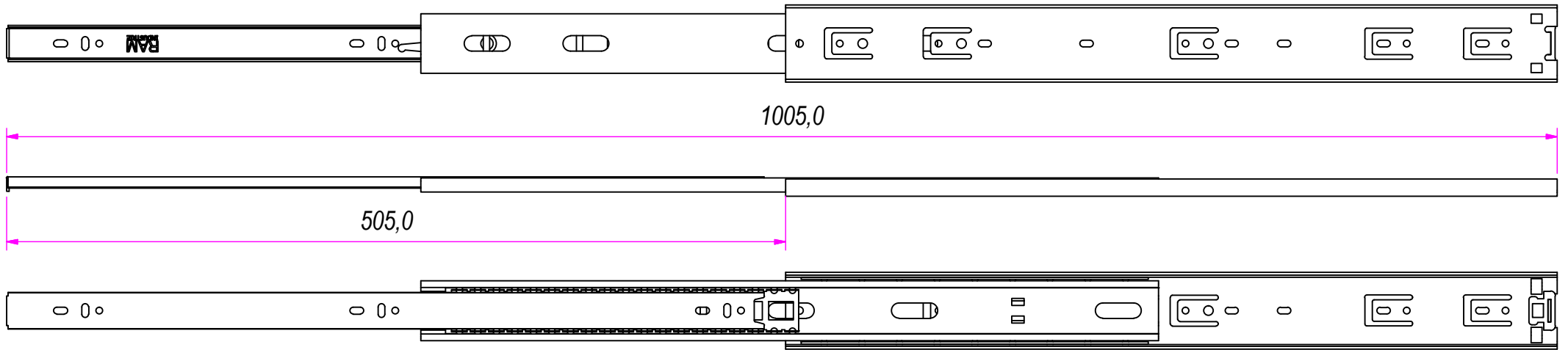


| | | | | |
|---|---|------------------|-------------|------------|
| Guide per cassetti; guide telescopica | Coulisses à billes; coulisse télescopique | REVISION HISTORY | | |
| Drawer slide; telescopic ball bearing slide | Guías para cajones; guía teleópica | REV | DESCRIPTION | DATE |
| Kugelführung; Teleskopschienen | | 1a | | 01/03/2017 |

| | | | | |
|---|--|--------------------------------------|--------------------------------------|-----------------|
| DESIGNED BY F.Dino | CHECKED AND APPROVED BY L. Paleari | DATE 01/03/2017 | CODE I51500 | |
| RAM INDUSTRIE | | GENERAL TOLLERANCE SS-ISO-2768-1M | UNIT mm | SCALE 1 of 2 |
| | | DESCRIPTION | MATERIAL AISI 316 stainless steel | |
| DEVICE | | PAIR WEIGHT 2,022 Kg | 02C | |
| Property of RAM Industrie. Without its written authorization the present drawing shall neither be used for construction anyway, communicated to third parties, nor reproduced. | | | | |



| N° | ELEMENT | MATERIAL |
|-----|------------------|--------------------------|
| 1b | Outer cage | PVC |
| 2b | Inner cage | AISI 201 stainless steel |
| 3b | Outer balls | AISI 304 stainless steel |
| 4b | Inner balls | AISI 304 stainless steel |
| 5b | Small member | AISI 316 stainless steel |
| 6b | Middle member | AISI 316 stainless steel |
| 7b | Outer member | AISI 316 stainless steel |
| 8b | Medium stop | PVC |
| 9b | Back stop | Rubber |
| 10b | Level disconnect | PVC |

| | | | |
|------------------------------|--|--------------------------------------|-----------------|
| DESIGNED BY F.Dino | CHECKED AND APPROVED BY L. Paleari | DATE 01/03/2017 | CODE I51500 |
| | | GENERAL TOLLERANCE SS-ISO-2768-1M | UNIT mm |
| | | DESCRIPTION | SCALE 2 of 2 |
| DEVICE | | MATERIAL AISI 316 stainless steel | |
| | | PAIR WEIGHT 2,022 Kg | 02C |

| REVISION HISTORY | DESCRIPTION | DATE |
|------------------|-------------|------------|
| REV 1a | | 01/03/2017 |

Guide per cassetti; guide telescopiche
 Drawer slide; telescopic ball bearing slide
 Kugelführung; Teleskopschienen

Coulisses à billes; coulisse télescopique
 Guías para cajones; guía teleópica

Property of RAM Industrie.
 Without its written authorization the present drawing shall neither be used for construction anyway, communicated to third parties, nor reproduced.