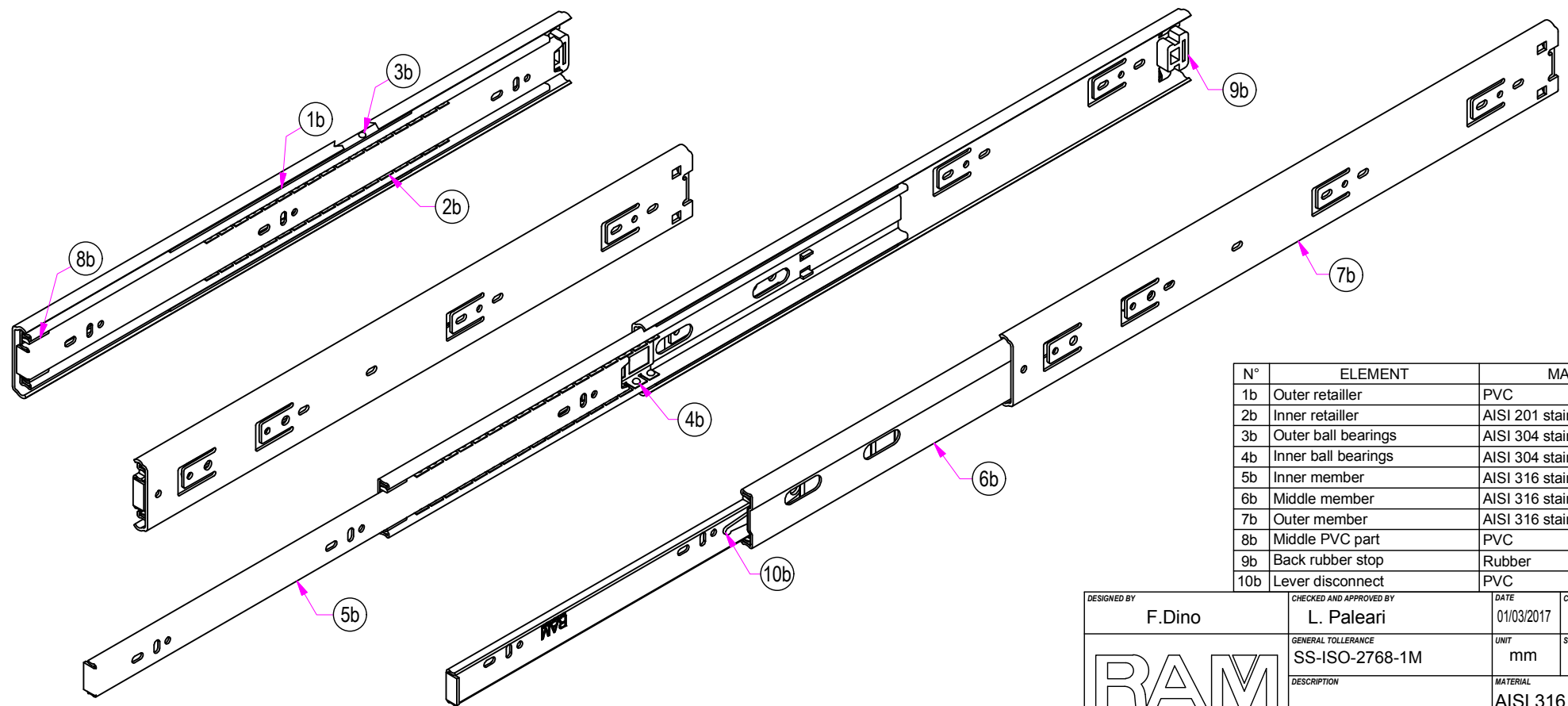
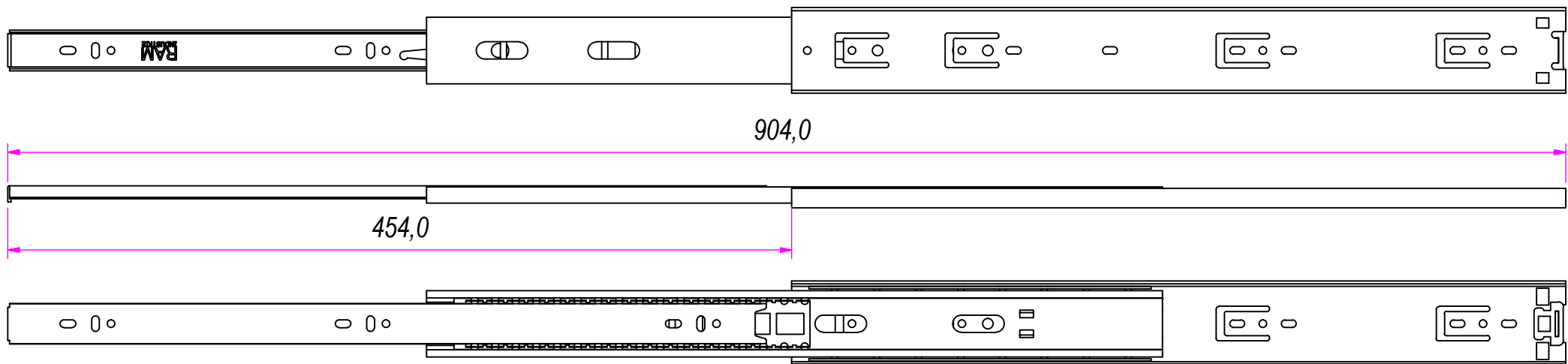


Guide per cassetti; guide telescopiche	Coulisses à billes; coulisse télescopique	REVISION HISTORY		
Drawer slide; telescopic ball bearing slide	Guías para cajones; guía teleópica	REV	DESCRIPTION	DATE
Kugelführung; Teleskopschienen		1a		01/03/2017

DESIGNED BY F.Dino	CHECKED AND APPROVED BY L. Paleari	DATE 01/03/2017	CODE I51450	
		GENERAL TOLLERANCE SS-ISO-2768-1M	UNIT mm	SCALE 1 of 2
		DESCRIPTION	MATERIAL AISI 316 stainless steel	
DEVICE		PAIR WEIGHT 1,824 Kg	02C	
Property of RAM Industrie. Without its written authorization the present drawing shall neither be used for construction anyway, communicated to third parties, nor reproduced.				



N°	ELEMENT	MATERIAL
1b	Outer retailer	PVC
2b	Inner retailer	AISI 201 stainless steel
3b	Outer ball bearings	AISI 304 stainless steel
4b	Inner ball bearings	AISI 304 stainless steel
5b	Inner member	AISI 316 stainless steel
6b	Middle member	AISI 316 stainless steel
7b	Outer member	AISI 316 stainless steel
8b	Middle PVC part	PVC
9b	Back rubber stop	Rubber
10b	Lever disconnect	PVC

DESIGNED BY F.Dino	CHECKED AND APPROVED BY L. Paleari	DATE 01/03/2017	CODE I51450
		GENERAL TOLLERANCE SS-ISO-2768-1M	UNIT mm
		DESCRIPTION	MATERIAL AISI 316 stainless steel
DEVICE		PAIR WEIGHT 1,824 Kg	SHEET 2 of 2

DESCRIPTION	REVISION HISTORY	DATE
Guide per cassetti; guide telescopiche Coulisses à billes; coulisse télescopique Drawer slide; telescopic ball bearing slide Guías para cajones; guía teleópica Kugelführung; Teleskopschienen	REV 1a	01/03/2017

Property of RAM Industrie.
Without its written authorization the present drawing shall neither be used for construction anyway, communicated to third parties, nor reproduced.