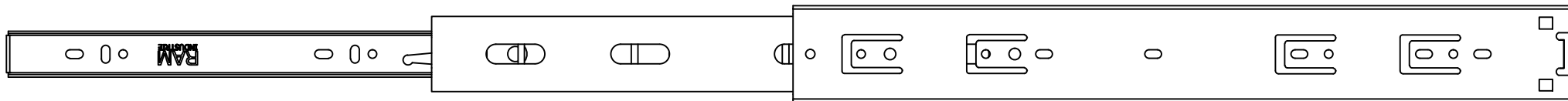
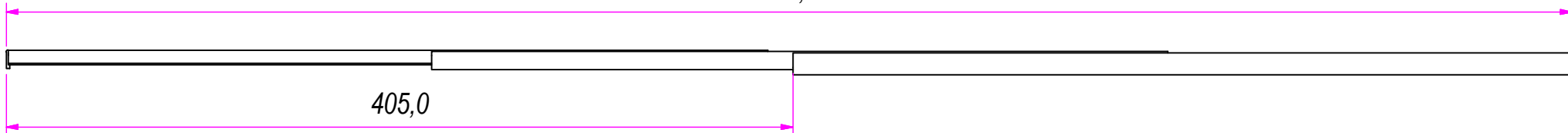


Guide per cassetti; guide telescopica	Coulisses à billes; coulisse télescopique	REVISION HISTORY		
Drawer slide; telescopic ball bearing slide	Guías para cajones; guía teleópica	REV	DESCRIPTION	DATE
Kugelführung; Teleskopschienen		1a		01/03/2017

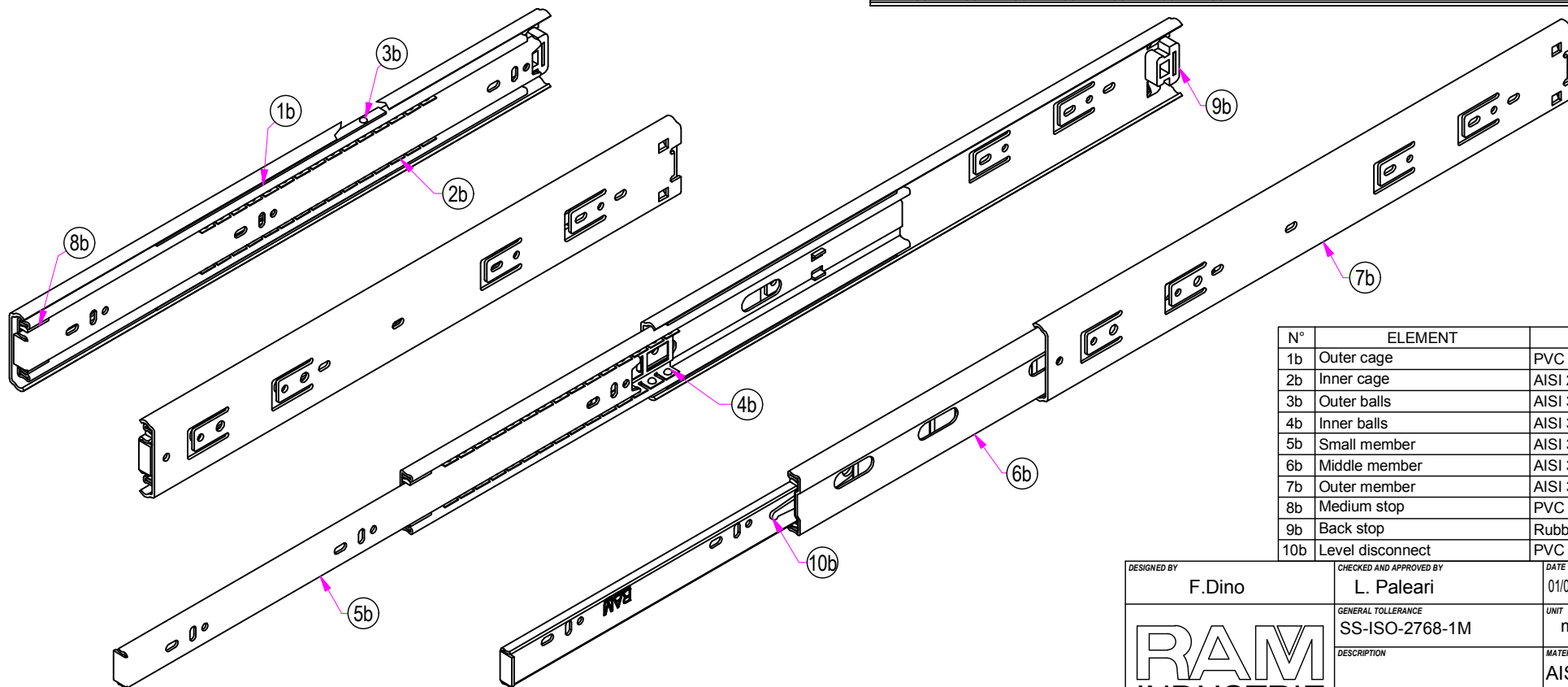
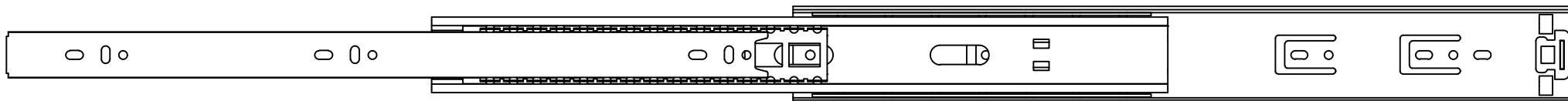
DESIGNED BY F.Dino	CHECKED AND APPROVED BY L. Paleari	DATE 01/03/2017	CODE I51400	
		GENERAL TOLLERANCE SS-ISO-2768-1M	UNIT mm	SCALE 1 of 2
		DESCRIPTION	MATERIAL AISI 316 stainless steel	
DEVICE		PAIR WEIGHT 1,604 Kg	02C	
Property of RAM Industrie. Without its written authorization the present drawing shall neither be used for construction anyway, communicated to third parties, nor reproduced.				



805,0



405,0



N°	ELEMENT	MATERIAL
1b	Outer cage	PVC
2b	Inner cage	AISI 201 stainless steel
3b	Outer balls	AISI 304 stainless steel
4b	Inner balls	AISI 304 stainless steel
5b	Small member	AISI 316 stainless steel
6b	Middle member	AISI 316 stainless steel
7b	Outer member	AISI 316 stainless steel
8b	Medium stop	PVC
9b	Back stop	Rubber
10b	Level disconnect	PVC

DESIGNED BY <b>F.Dino</b>	CHECKED AND APPROVED BY <b>L. Paleari</b>	DATE 01/03/2017	CODE I51400	
		GENERAL TOLLERANCE SS-ISO-2768-1M	UNIT mm	SCALE 2 of 2
		DESCRIPTION	MATERIAL AISI 316 stainless steel	
DEVICE		PAIR WEIGHT 1,604 Kg		02C

REVISION HISTORY	DESCRIPTION	DATE
REV		
1a		01/03/2017

Guide per cassetti; guide telescopiche  
Drawer slide; telescopic ball bearing slide  
Kugelführung; Teleskopschienen

Coulisses à billes; coulisse télescopique  
Guías para cajones; guía teleópica

Property of RAM Industrie.  
Without its written authorization the present drawing shall neither be used for construction anyway, communicated to third parties, nor reproduced.