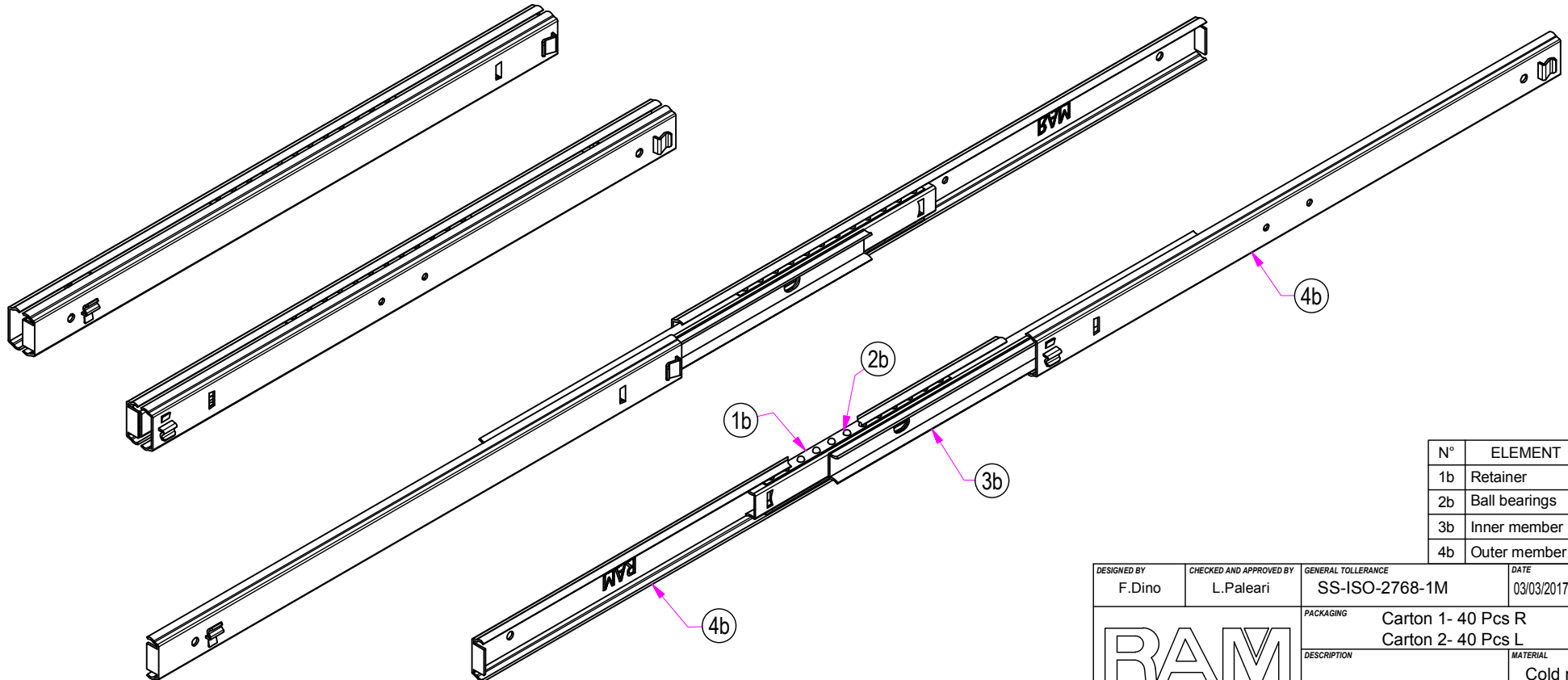
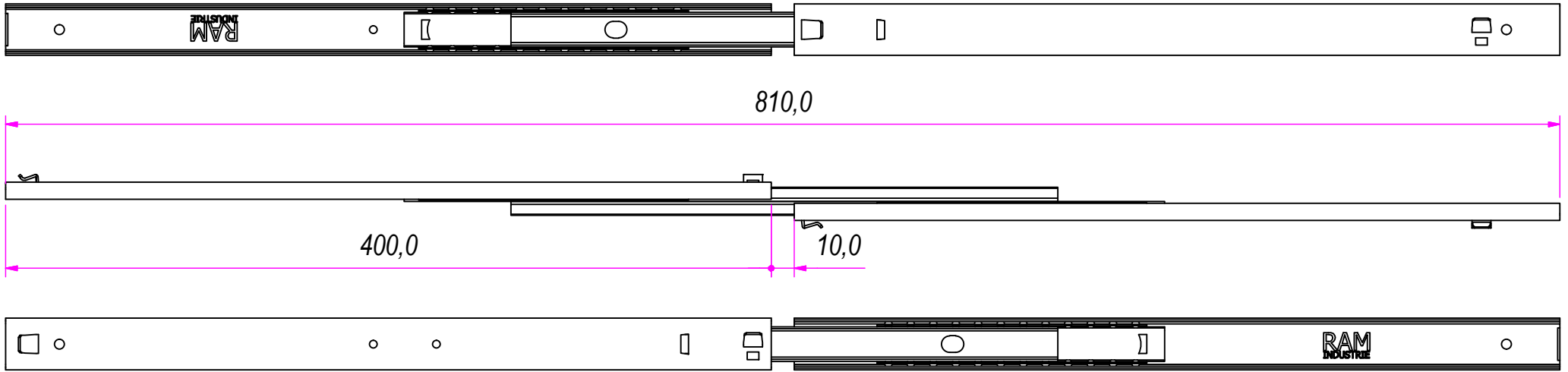


DESIGNED BY F.Dino	CHECKED AND APPROVED BY L.Paleari	GENERAL TOLLERANCE SS-ISO-2768-1M	DATE 03/03/2017	CODE H27400
		PACKAGING Carton 1- 40 Pcs R Carton 2- 40 Pcs L	UNIT mm	SHEET 1 of 2
		DESCRIPTION		MATERIAL Cold rolled steel
		DEVICE		PAIR WEIGHT 1,008 Kg
Guide per cassetti; guide telescopiche Drawer slide; telescopic ball bearing slide Kugelführung; Teleskopschienen		Coulisses à billes; coulisse télescopique Guías para cajones; guía teleópica		REVISION HISTORY DESCRIPTION DATE
		REV 1a		03/03/2017

Property of RAM Industrie.  
Without its written authorization the present drawing shall neither be used for construction anyway, communicated to third parties, nor reproduced.



N°	ELEMENT	MATERIAL
1b	Retainer	Carbon steel
2b	Ball bearings	Carbon steel
3b	Inner member	Cold rolled steel
4b	Outer member	Cold rolled steel

DESIGNED BY F. Dino	CHECKED AND APPROVED BY L. Paleari	GENERAL TOLLERANCE SS-ISO-2768-1M	DATE 03/03/2017	CODE H27400
PACKAGING Carton 1- 40 Pcs R Carton 2- 40 Pcs L		DESCRIPTION	UNIT mm	SHEET 2 of 2
MATERIAL Cold rolled steel			PAIR WEIGHT 1,008 Kg	02C

**RAM**  
INDUSTRIE

GUIDE per cassetti; guide telescopiche		Coulisses à billes; coulisse télescopique		REVISION HISTORY	
Drawer slide; telescopic ball bearing slide		Guías para cajones; guía teleópica		REV	DESCRIPTION
Kugelführung; Teleskopschienen				DATE	
				1a	03/03/2017

Property of RAM Industrie.  
Without its written authorization the present drawing shall neither be used for construction anyway, communicated to third parties, nor reproduced.