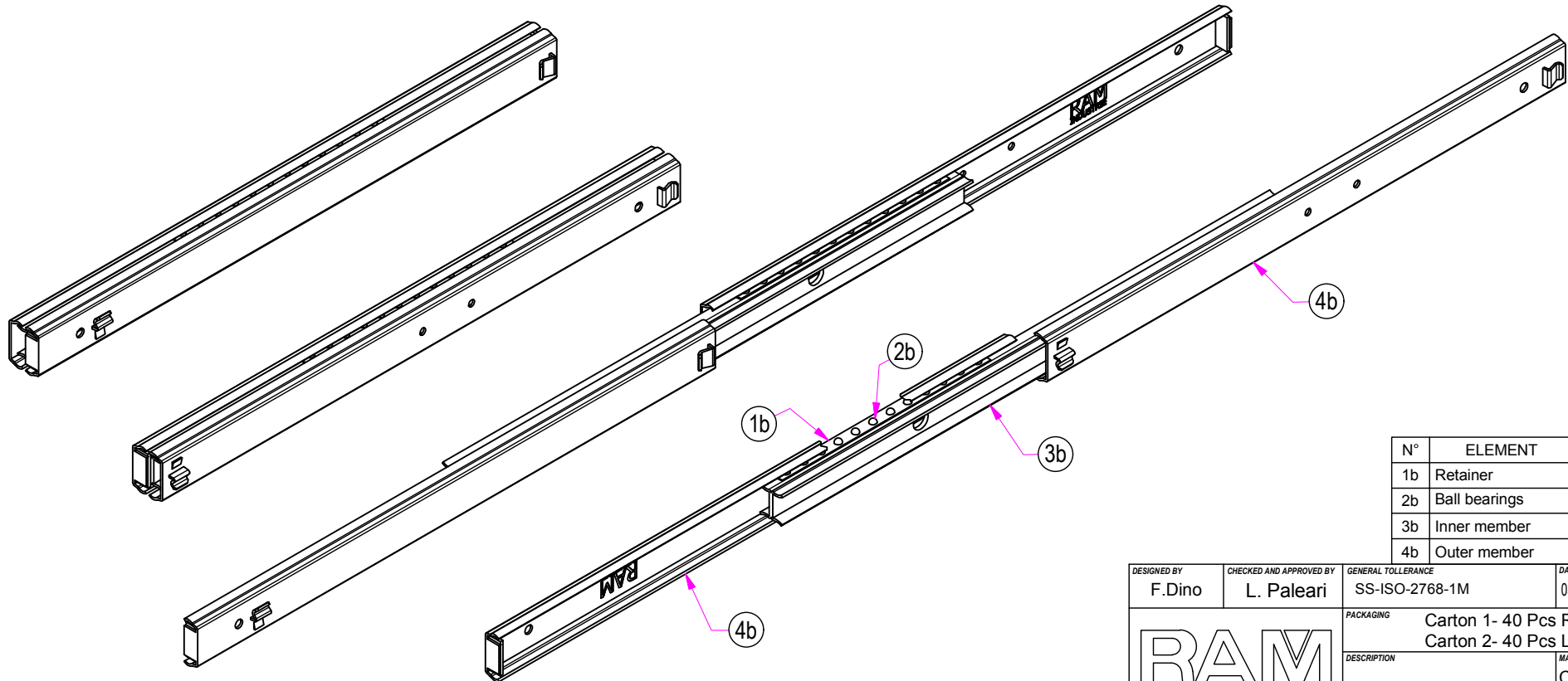
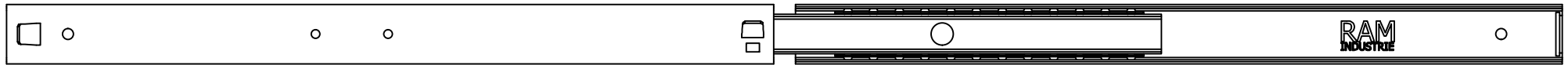
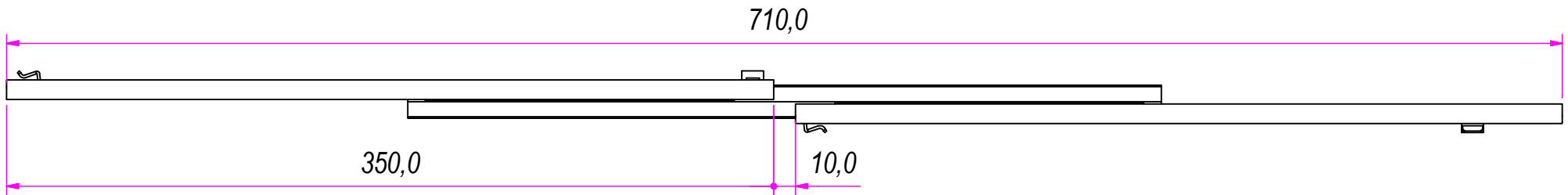
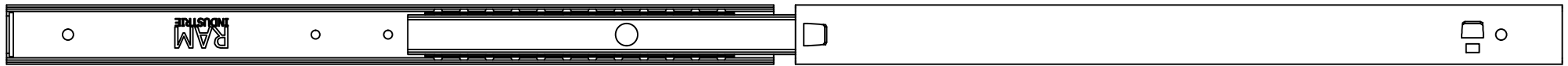


DESIGNED BY F. Dino	CHECKED AND APPROVED BY L. Paleari	GENERAL TOLERANCE SS-ISO-2768-1M	DATE 03/03/2017	CODE H27350
		PACKAGING Carton 1- 40 Pcs R Carton 2- 40 Pcs L	UNIT mm	SHEET 1 of 2
		DESCRIPTION	MATERIAL Cold rolled steel	
		DEVICE	PAIR WEIGHT 0,956 Kg	02C

Guide per cassetti; guide telescopiche		Coulisses à billes; coulisse télescopique		REVISION HISTORY	
Drawer slide; telescopic ball bearing slide		Guías para cajones; guía teleópica		DESCRIPTION	DATE
Kugelführung; Teleskopschienen		REV	1a		03/03/2017

Property of RAM Industrie.
Without its written authorization the present drawing shall neither be used for construction anyway, communicated to third parties, nor reproduced.



N°	ELEMENT	MATERIAL
1b	Retainer	Carbon steel
2b	Ball bearings	Carbon steel
3b	Inner member	Cold rolled steel
4b	Outer member	Cold rolled steel

DESIGNED BY F. Dino	CHECKED AND APPROVED BY L. Paleari	GENERAL TOLLERANCE SS-ISO-2768-1M	DATE 03/03/2017	CODE H27350
		PACKAGING Carton 1- 40 Pcs R Carton 2- 40 Pcs L	UNIT mm	SHEET 2 of 2
		DESCRIPTION	MATERIAL Cold rolled steel	
		DEVICE	PAIR WEIGHT 0,956 Kg	02C

		REVISION HISTORY	
	DESCRIPTION	REV	DATE
Guide per cassetti; guide telescopiche	Coulisses à billes; coulisse télescopique	1a	03/03/2017
Drawer slide; telescopic ball bearing slide	Guías para cajones; guía teleópica		
Kugelführung; Teleskopschienen			

Property of RAM Industrie.
Without its written authorization the present drawing shall neither be used for construction anyway, communicated to third parties, nor reproduced.