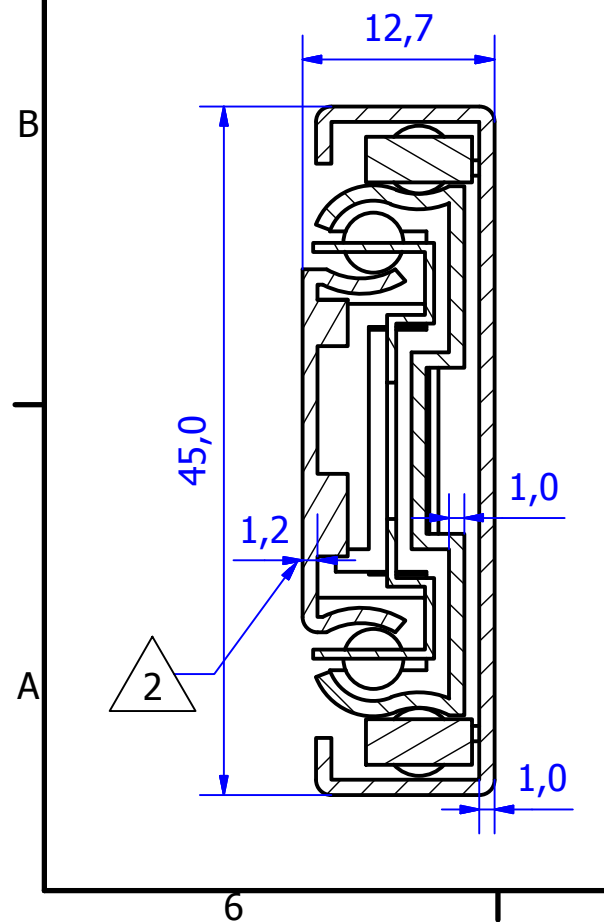
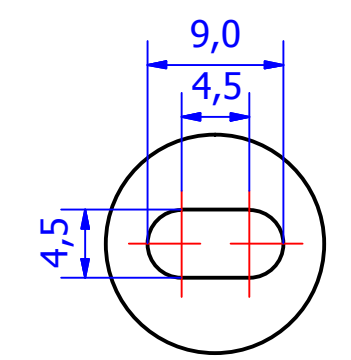


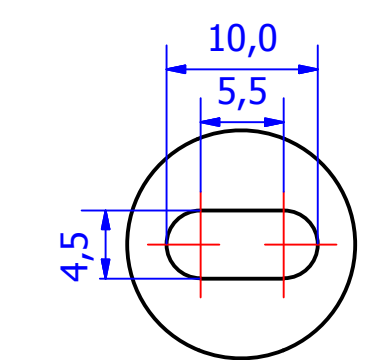
Cage with 20 ball bearings pairs



A-A (2 : 1)




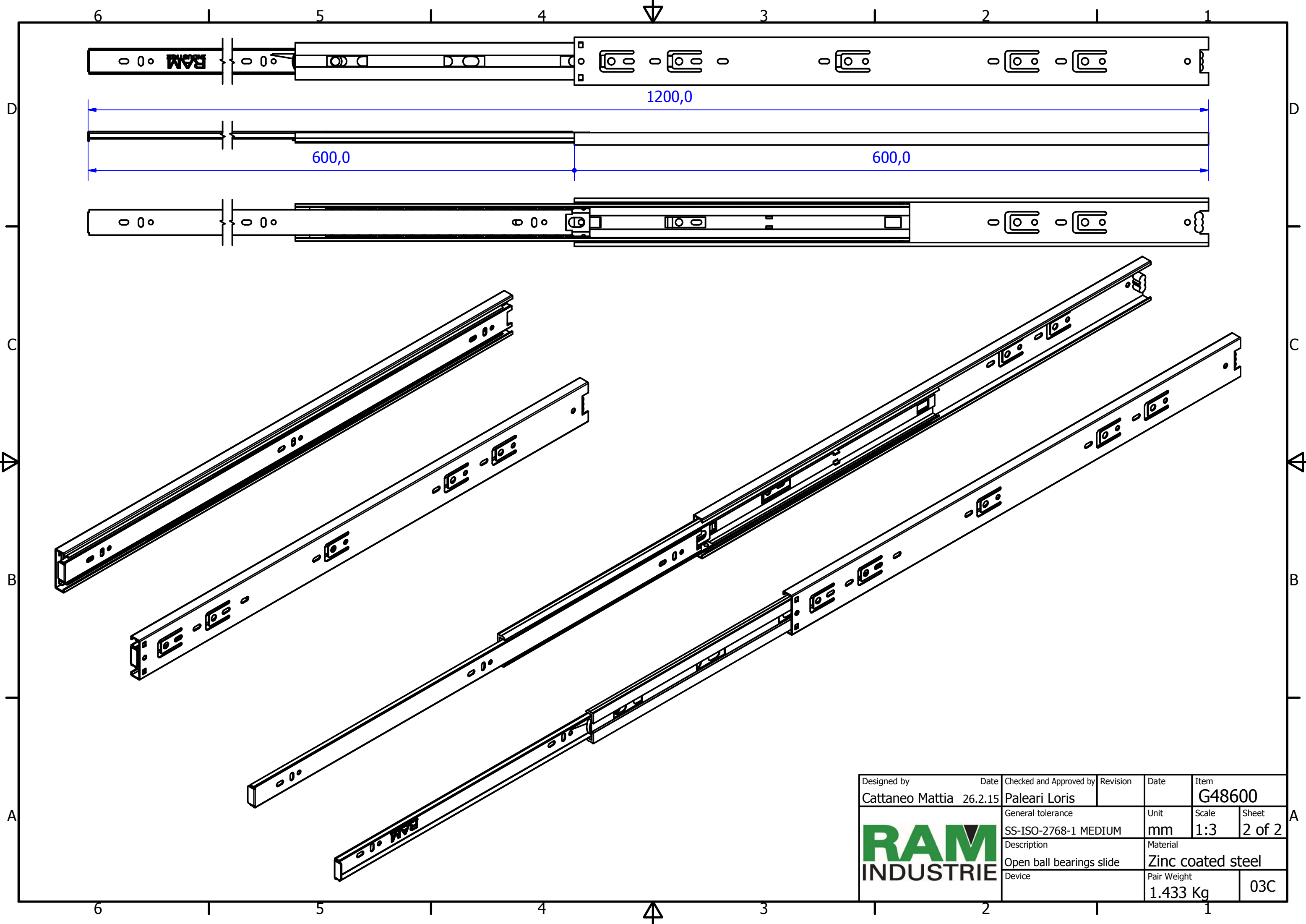
B (2 : 1)




C (2 : 1)

REVISION HISTORY			
REV	DESCRIPTION	APPROVED BY	DATE
1	Slotted hole modified with hole (16-03)	F.Dino	22/09/2016
2	New thickness 1x1x1,2 (16-03)	F.Dino	22/09/2016

Designed by Cattaneo Mattia	Date 26.2.15	Checked and Approved by Paleari Loris	Revision	Date	Item G48600
			General tolerance SS-ISO-2768-1 MEDIUM	Unit mm	Scale 1:1.5
			Description Closed ball bearings slide	Material Zinc coated steel	Sheet 1 of 2
			Device	Pair Weight 1.433 Kg	03C



Designed by	Date	Checked and Approved by	Revision	Date	Item
Cattaneo Mattia	26.2.15	Paleari Loris			G48600
			General tolerance	Unit	Scale
			SS-ISO-2768-1 MEDIUM	mm	1:3
Description			Material		
Open ball bearings slide			Zinc coated steel		
Device			Pair Weight	03C	
			1.433 Kg		