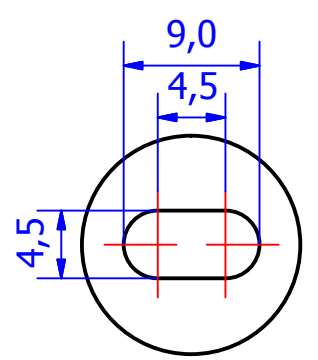
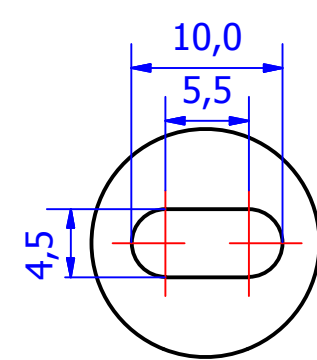


Cage with 18 ball bearings pairs




B (2 : 1)

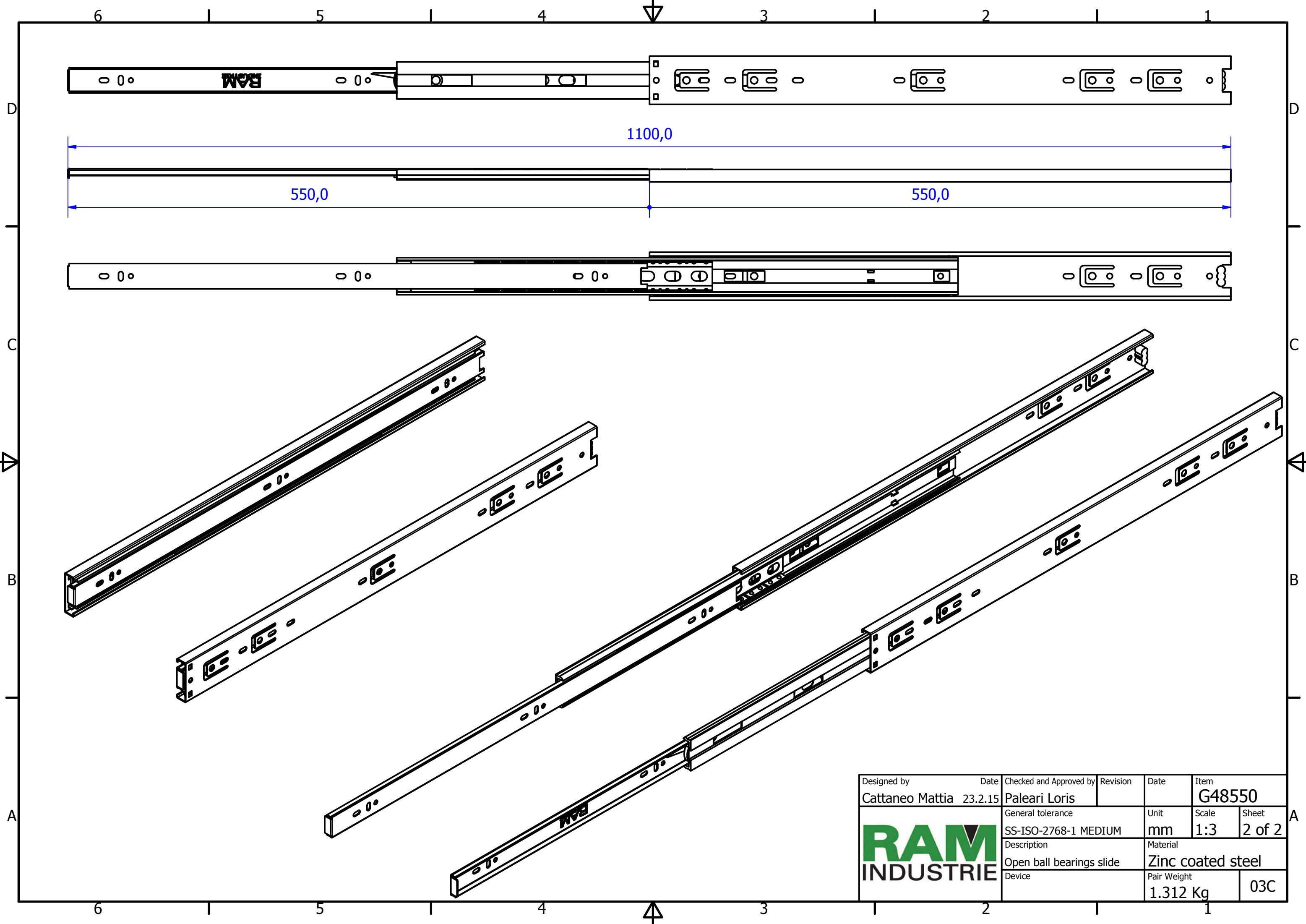



C (2 : 1)

A-A (2 : 1)

REVISION HISTORY			
REV	DESCRIPTION	APPROVED BY	DATE
1	Slotted hole modified with hole (16-03)	F.Dino	22/09/2016
2	New thickness 1x1x1,2 (16-03)	F.Dino	22/09/2016

Designed by Cattaneo Mattia	Date 23.2.15	Checked and Approved by Paleari Loris	Revision	Date	Item G48550
			General tolerance SS-ISO-2768-1 MEDIUM	Unit mm	Scale 1:1.5
			Description Closed ball bearings slide	Material Zinc coated steel	Sheet 1 of 2
Device				Pair Weight 1.312 Kg	03C



Designed by Cattaneo Mattia	Date 23.2.15	Checked and Approved by Paleari Loris	Revision	Date	Item G48550
		General tolerance SS-ISO-2768-1 MEDIUM	Unit mm	Scale 1:3	Sheet 2 of 2
		Description Open ball bearings slide	Material Zinc coated steel		
		Device	Pair Weight 1.312 Kg	03C	