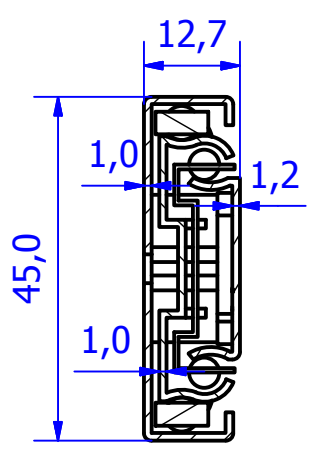
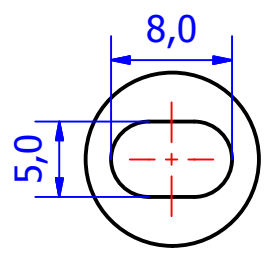


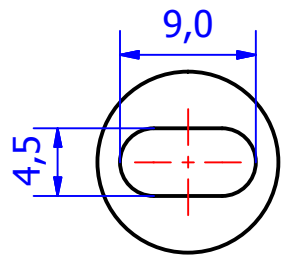
A-A (1 : 1)



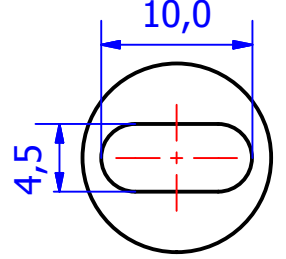
D (2 : 1)



B (2 : 1)

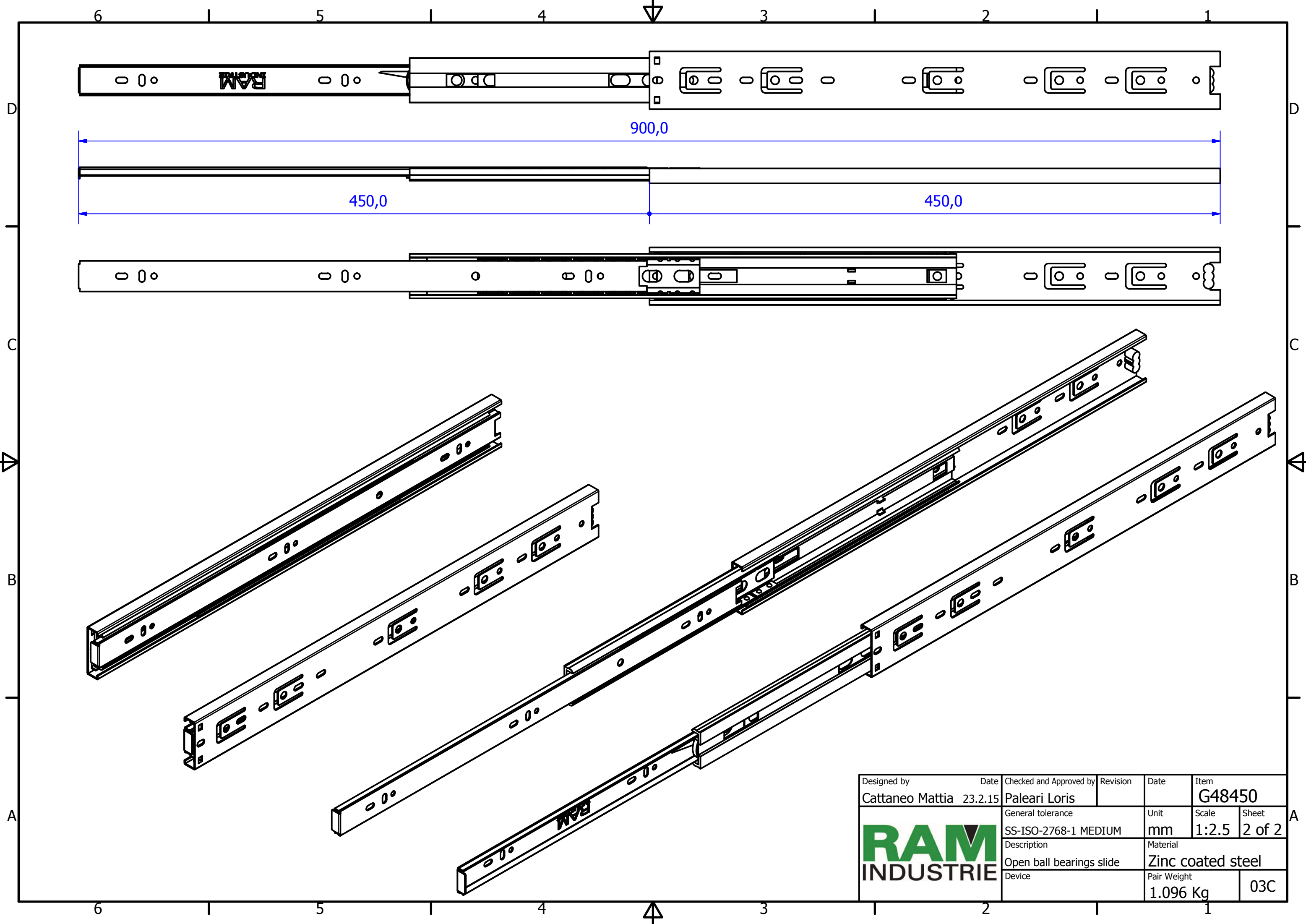



C (2 : 1)



REVISION HISTORY			
REV	DESCRIPTION	APPROVED BY	DATE
1		F.Dino	22/09/2016

Designed by Cattaneo Mattia	Date 23.2.15	Checked and Approved by Paleari Loris	Revision	Date	Item G48450
			General tolerance SS-ISO-2768-1 MEDIUM	Unit mm	Scale 1:1.25
			Description Closed ball bearings slide	Material Zinc coated steel	Sheet 1 of 2
Device				Pair Weight 1.096 Kg	03C



Designed by Cattaneo Mattia	Date 23.2.15	Checked and Approved by Paleari Loris	Revision	Date	Item G48450
			General tolerance SS-ISO-2768-1 MEDIUM	Unit mm	Scale 1:2.5
			Description Open ball bearings slide	Material Zinc coated steel	Sheet 2 of 2
Device				Pair Weight 1.096 Kg	03C