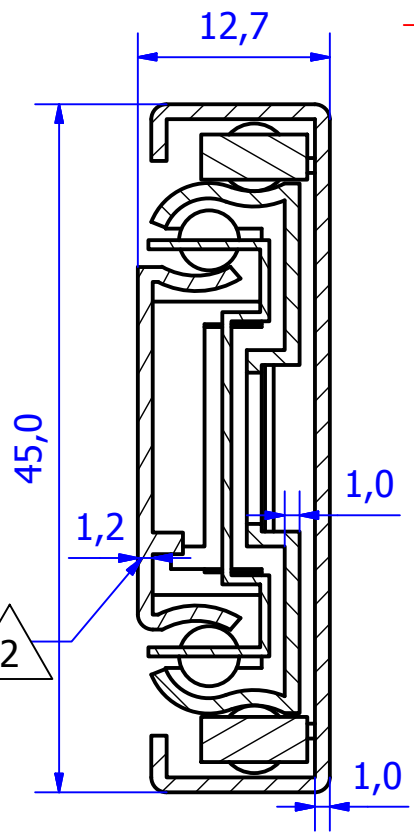
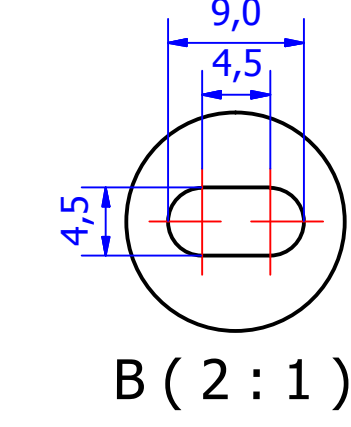
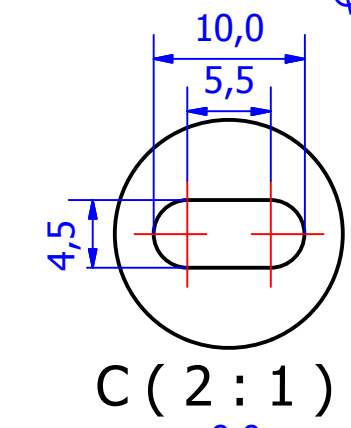


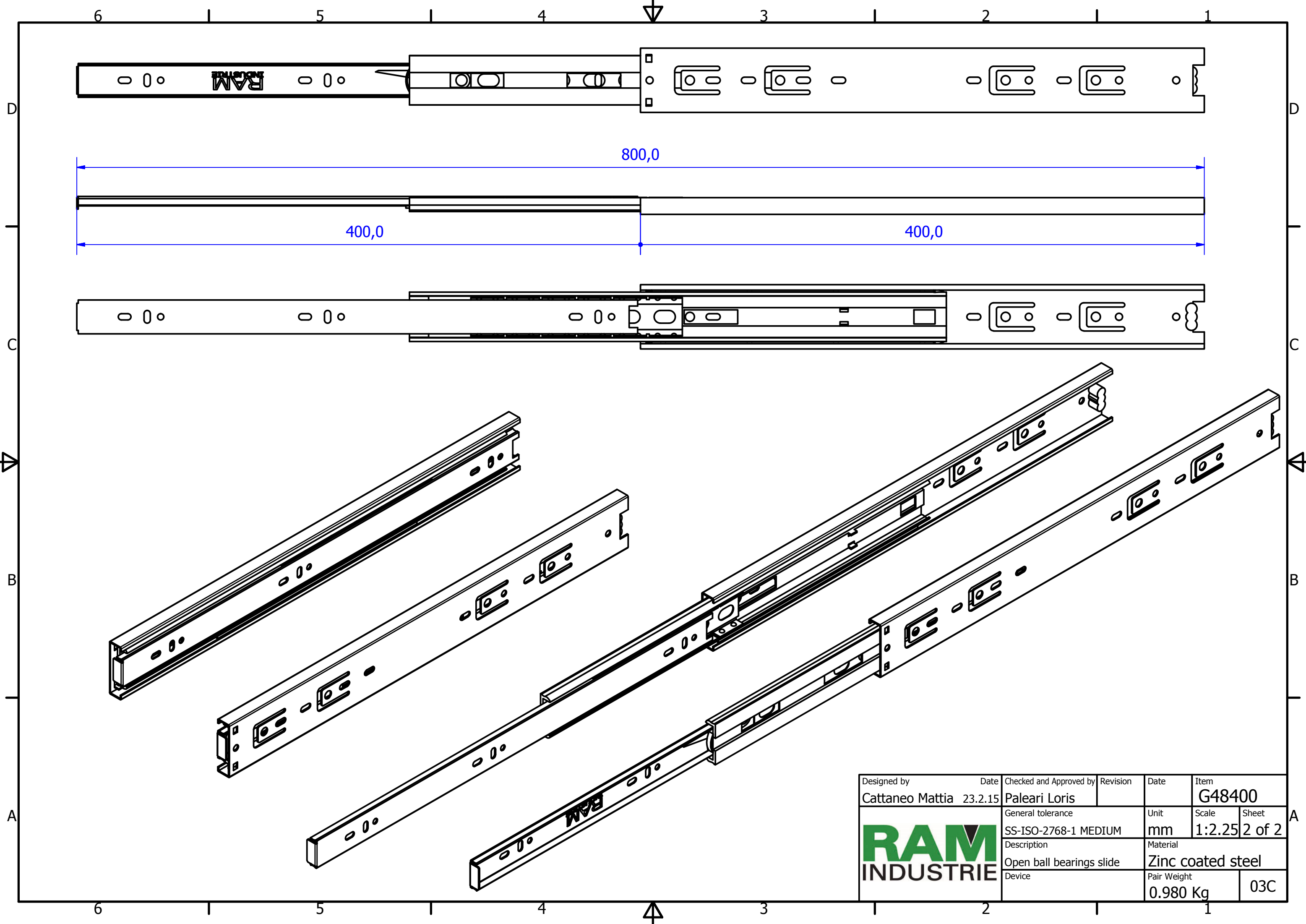
A-A (2:1)




REVISION HISTORY			
REV	DESCRIPTION	APPROVED BY	DATE
1	Slotted hole modified with hole (16-03)	F.Dino	22/09/2016
2	New thickness 1x1x1,2 (16-03)	F.Dino	22/09/2016

Designed by	Date	Checked and Approved by	Revision	Date	Item
Cattaneo Mattia	23.2.15	Paleari Loris			G48400
General tolerance			Unit	Scale	Sheet
SS-ISO-2768-1 MEDIUM			mm	1:1.25	1 of 2
Description			Material		
Closed ball bearings slide			Zinc coated steel		
Device			Pair Weight		
			0.980 Kg	03C	





Designed by Cattaneo Mattia	Date 23.2.15	Checked and Approved by Paleari Loris	Revision	Date	Item G48400
			General tolerance SS-ISO-2768-1 MEDIUM	Unit mm	Scale 1:2.25
			Description Open ball bearings slide	Material Zinc coated steel	Sheet 2 of 2
Device				Pair Weight 0.980 Kg	03C