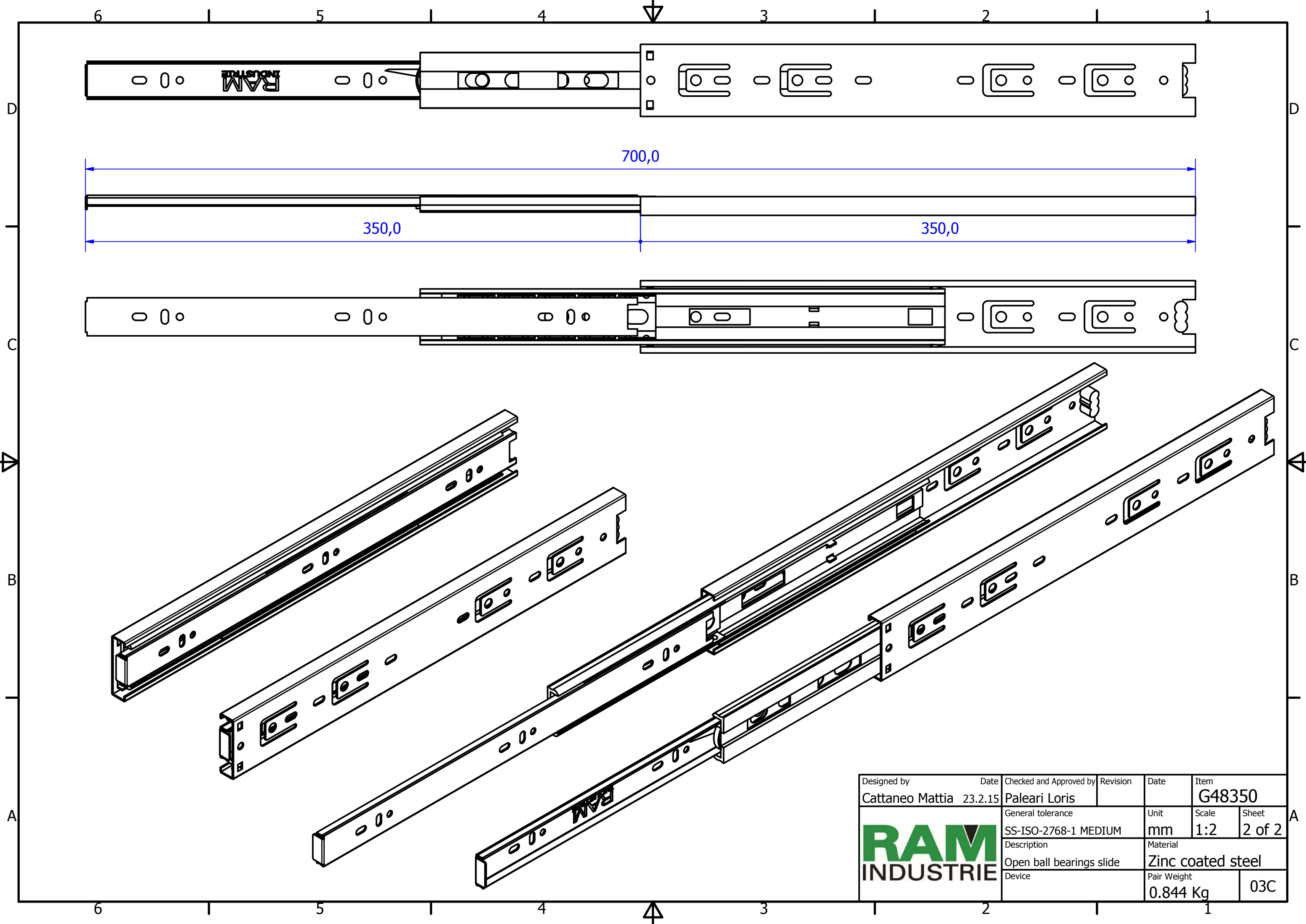



REVISION HISTORY			
REV	DESCRIPTION	APPROVED BY	DATE
1	Slotted hole modified with hole (16-03)	F.Dino	22/09/2016
2	New thickness 1x1x1,2 (16-03)	F.Dino	22/09/2016

Designed by Cattaneo Mattia	Date 23.2.15	Checked and Approved by Paleari Loris	Revision	Date	Item G48350
General tolerance SS-ISO-2768-1 MEDIUM			Unit mm	Scale 1:1.25	Sheet 1 of 2
Description Closed ball bearings slide			Material Zinc coated steel		
Device			Pair Weight 0.844 Kg	03C	





Designed by Cattaneo Mattia	Date 23.2.15	Checked and Approved by Paleari Loris	Revision	Date	Item G48350
			General tolerance SS-ISO-2768-1 MEDIUM	Unit mm	Scale 1:2
			Description Open ball bearings slide	Material Zinc coated steel	
Device				Pair Weight 0.844 Kg	03C

D
C
B
A

D
C
B
A

6 1 5 1 4 3 1 2 1 1

6 1 5 1 4 3 1 2 1 1