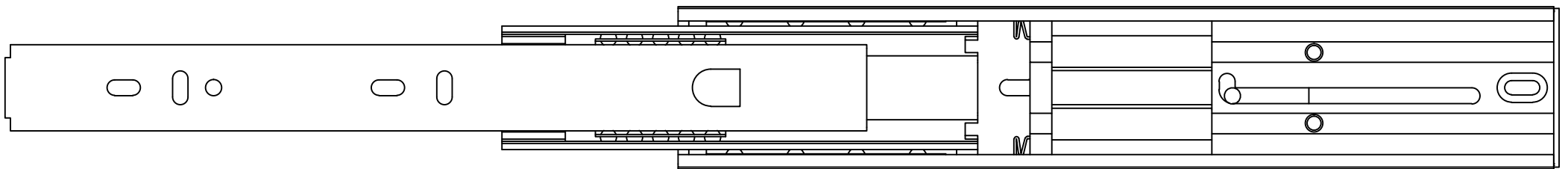
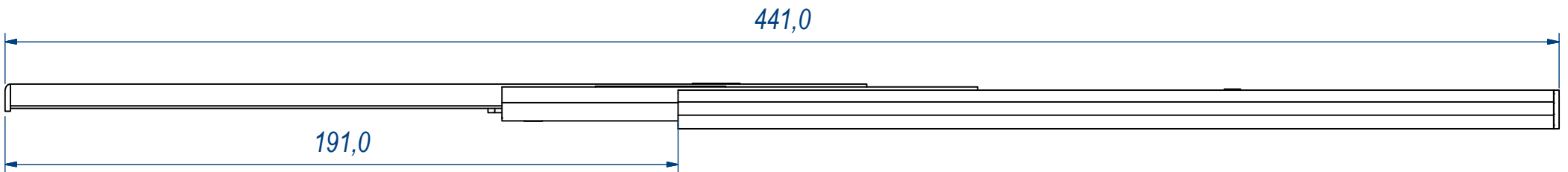
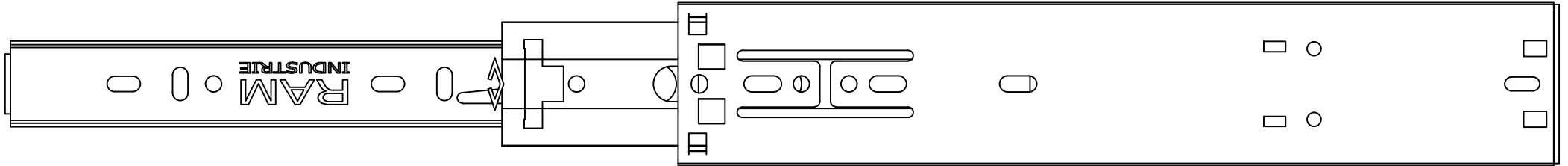



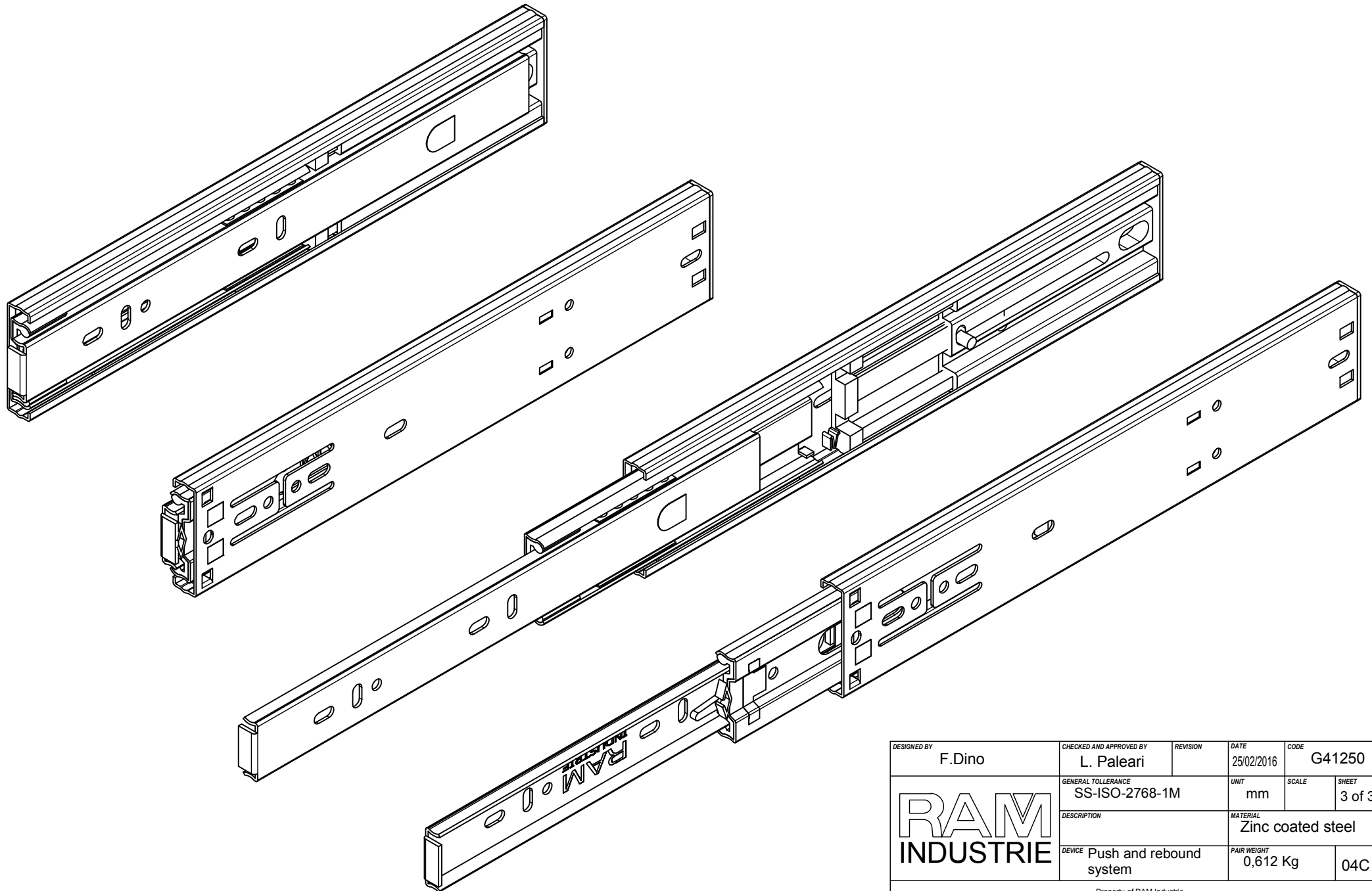
| REVISION HISTORY | | | |
|------------------|----------------------------|-------------|------------|
| REV | DESCRIPTION | APPROVED BY | DATE |
| 1 | Added slotted hole (16-03) | F.Dino | 22/09/2016 |


| | | | | |
|---|---------------------------------------|--------------------------------------|-------------------------------|--------------------------|
| DESIGNED BY F.Dino | CHECKED AND APPROVED BY L. Paleari | REVISION | DATE 25/02/2016 | CODE G41250 |
| | | GENERAL TOLLERANCE SS-ISO-2768-1M | UNIT mm | SCALE SHEET 1 of 3 |
| | | DESCRIPTION | MATERIAL Zinc coated steel | |
| DEVICE Push and rebound system | | PAIR WEIGHT 0,612 Kg | 04C | |
| <small>Property of RAM Industrie. Without its written authorization the present drawing shall neither be used for construction anyway, communicated to third parties, nor reproduced.</small> | | | | |



| | | | | |
|---|---------------------------------------|-------------------------------|--------------------|-----------------|
| DESIGNED BY F.Dino | CHECKED AND APPROVED BY L. Paleari | REVISION | DATE 25/02/2016 | CODE G41250 |
|  | GENERAL TOLLERANCE SS-ISO-2768-1M | UNIT mm | SCALE | SHEET 2 of 3 |
| | DESCRIPTION | MATERIAL Zinc coated steel | | |
| | DEVICE Push and rebound system | PAIR WEIGHT 0,612 Kg | 04C | |

Property of RAM Industrie.
Without its written authorization the present drawing shall neither be used for construction anyway, communicated to third parties, nor reproduced.



| | | | | |
|---|---------------------------------------|-------------------------------|--------------------|-----------------|
| DESIGNED BY F.Dino | CHECKED AND APPROVED BY L. Paleari | REVISION | DATE 25/02/2016 | CODE G41250 |
|  | GENERAL TOLLERANCE SS-ISO-2768-1M | UNIT mm | SCALE | SHEET 3 of 3 |
| | DESCRIPTION | MATERIAL Zinc coated steel | | |
| | DEVICE Push and rebound system | PAIR WEIGHT 0,612 Kg | 04C | |

Property of RAM Industrie.
Without its written authorization the present drawing shall neither be used for construction anyway, communicated to third parties, nor reproduced.