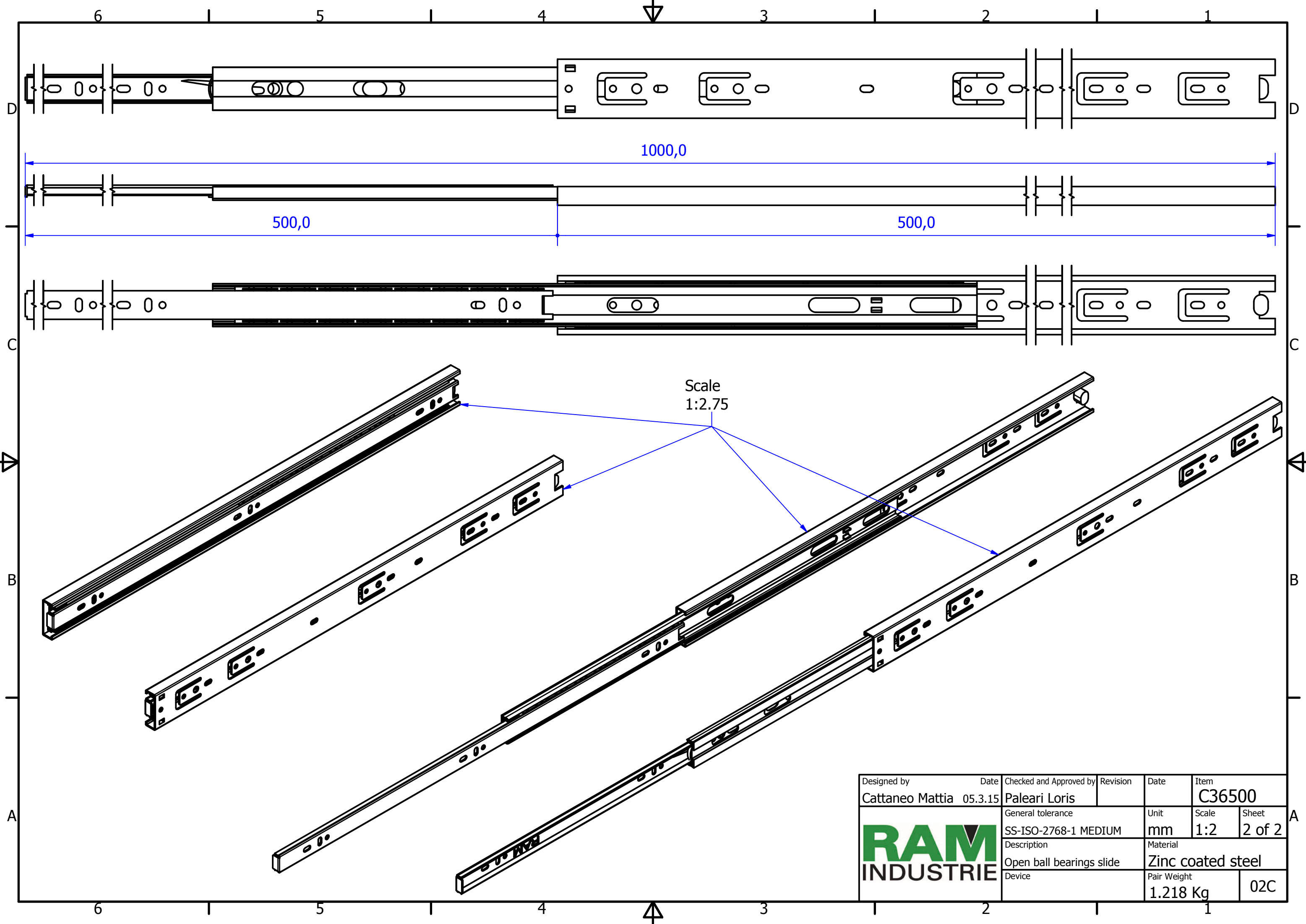



Designed by Cattaneo Mattia	Date 05.3.15	Checked and Approved by Paleari Loris	Revision	Date	Item C36500
		General tolerance SS-ISO-2768-1 MEDIUM	Unit mm	Scale 1:1.5	Sheet 1 of 2
		Description Closed ball bearings slide	Material Zinc coated steel		
Device				Pair Weight 1.218 Kg	02C



Designed by	Date	Checked and Approved by	Revision	Date	Item
Cattaneo Mattia	05.3.15	Paleari Loris			C36500
			General tolerance	Unit	Scale
			SS-ISO-2768-1 MEDIUM	mm	1:2
Description			Material		
Open ball bearings slide			Zinc coated steel		
Device			Pair Weight	02C	
			1.218 Kg		