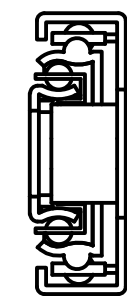
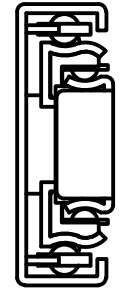


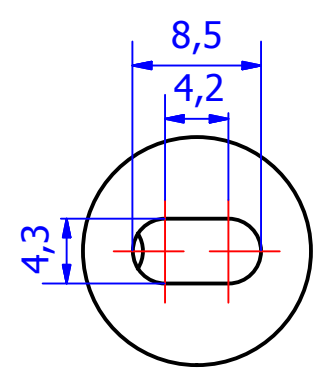
Cage with 12 ball bearings pairs



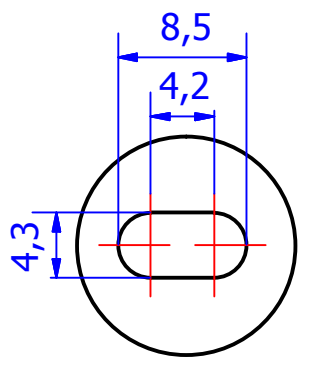
B (1 : 1)



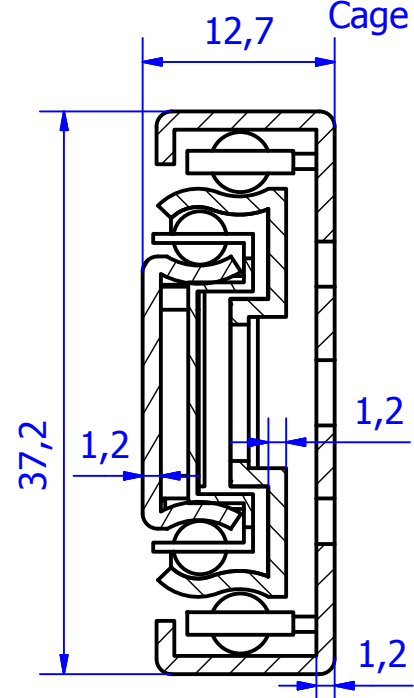
A (1 : 1)




E (2 : 1)

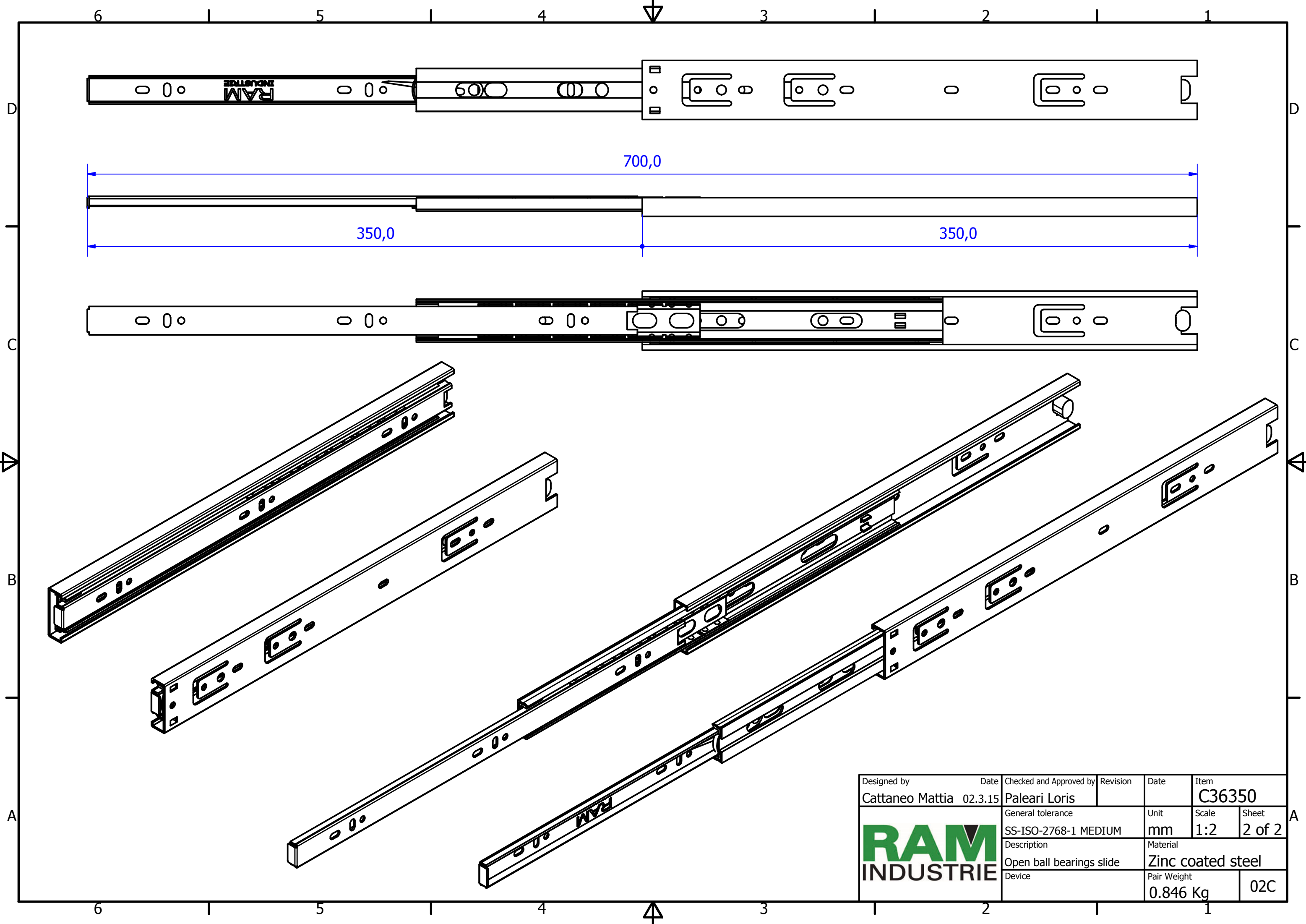



D (2 : 1)



C-C (2 : 1)

Designed by Cattaneo Mattia	Date 02.3.15	Checked and Approved by Paleari Loris	Revision	Date	Item C36350
			General tolerance SS-ISO-2768-1 MEDIUM	Unit mm	Scale 1:1
			Description Closed ball bearings slide	Material Zinc coated steel	
Device				Pair Weight 0.846 Kg	02C



Designed by Cattaneo Mattia	Date 02.3.15	Checked and Approved by Paleari Loris	Revision	Date	Item C36350
			General tolerance SS-ISO-2768-1 MEDIUM	Unit mm	Scale 1:2
			Description Open ball bearings slide	Material Zinc coated steel	
Device				Pair Weight 0.846 Kg	02C

A