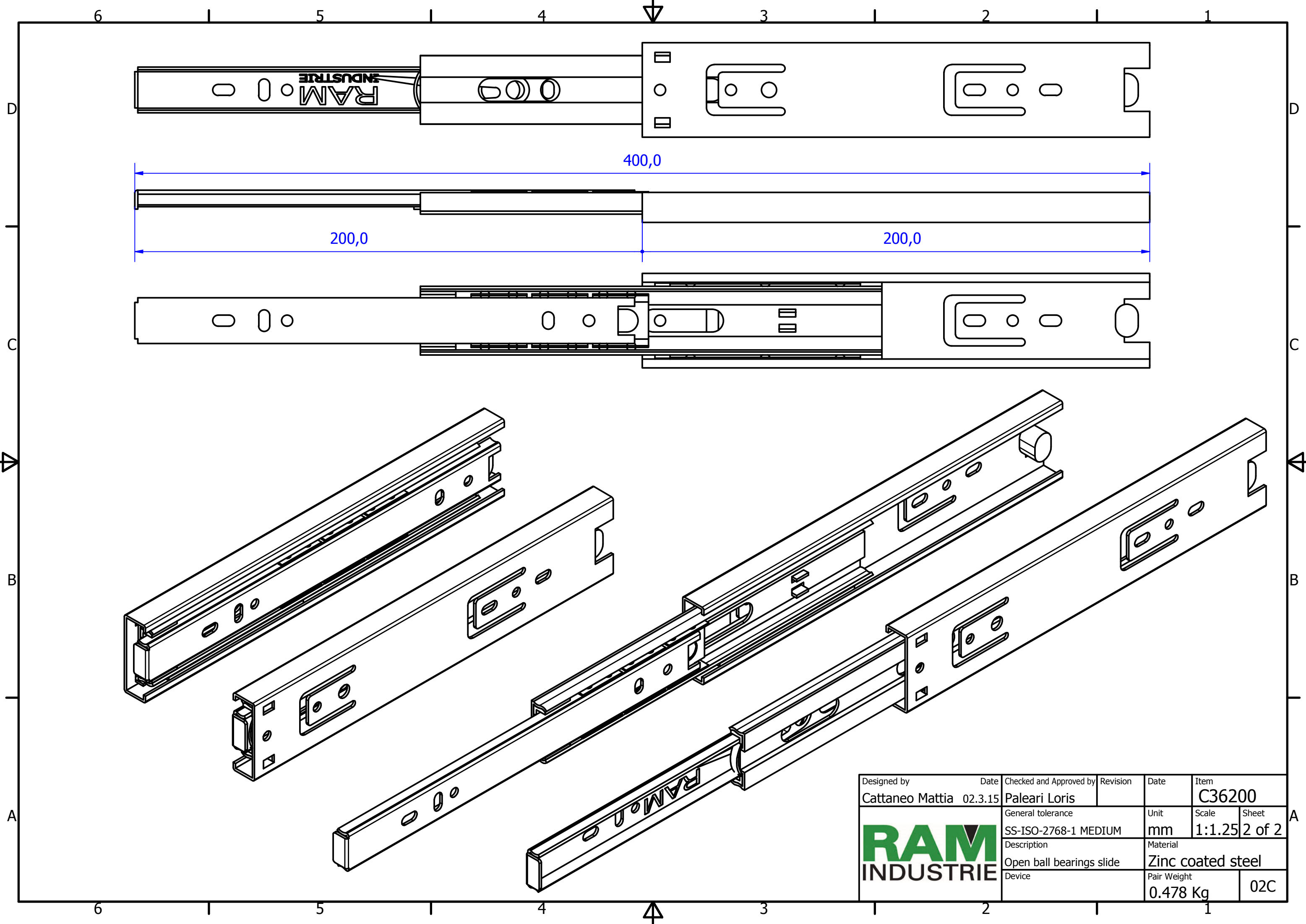



Designed by Cattaneo Mattia	Date 02.3.15	Checked and Approved by Paleari Loris	Revision	Date	Item C36200
		General tolerance SS-ISO-2768-1 MEDIUM	Unit mm	Scale 1:1	Sheet 1 of 2
		Description Closed ball bearings slide	Material Zinc coated steel		
Device			Pair Weight 0.478 Kg	02C	



Designed by Cattaneo Mattia	Date 02.3.15	Checked and Approved by Paleari Loris	Revision	Date	Item C36200
			General tolerance SS-ISO-2768-1 MEDIUM	Unit mm	Scale 1:1.25
			Description Open ball bearings slide	Material Zinc coated steel	
Device				Pair Weight 0.478 Kg	Sheet 02C