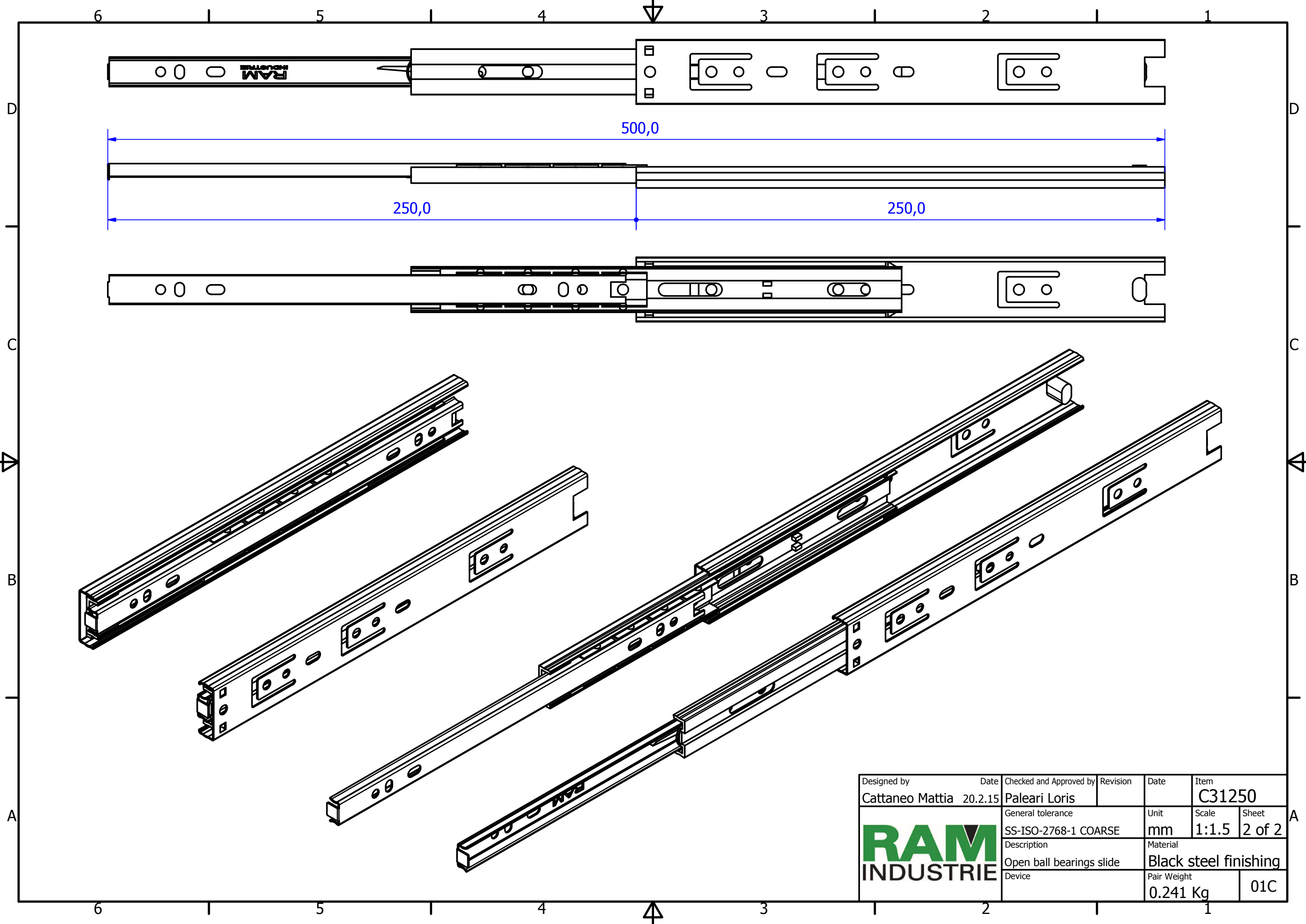


Designed by	Date	Checked and Approved by	Revision	Date	Item
Cattaneo Mattia	20.2.15	Paleari Loris			C31250
General tolerance			Unit	Scale	Sheet
SS-ISO-2768-1 COARSE			mm	1:1	1 of 2
Description			Material		
Closed ball bearings slide			Black steel finishing		
Device			Pair Weight		
			0.241 Kg		01C





Designed by	Date	Checked and Approved by	Revision	Date	Item
Cattaneo Mattia	20.2.15	Paleari Loris			C31250
General tolerance			Unit	Scale	Sheet
SS-ISO-2768-1 COARSE			mm	1:1.5	2 of 2
Description			Material		
Open ball bearings slide			Black steel finishing		
Device			Pair Weight	01C	
			0.241 Kg		

