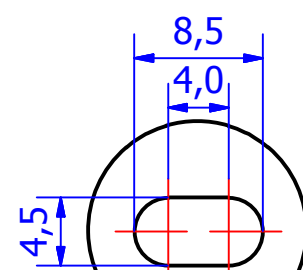
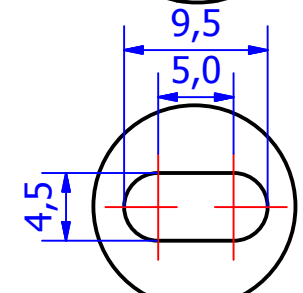


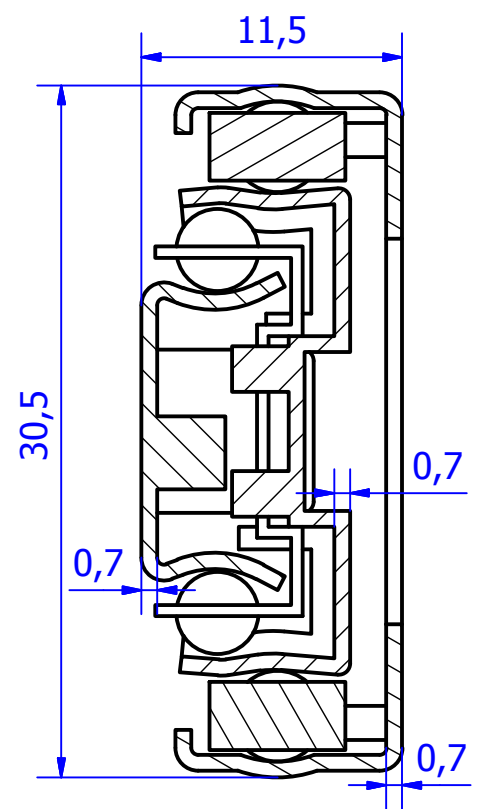
D (2 : 1)



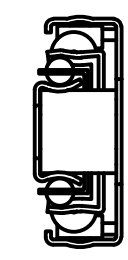
E (2 : 1)



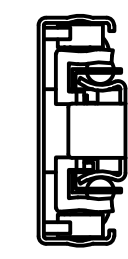
F (2 : 1)



C-C (3 : 1)

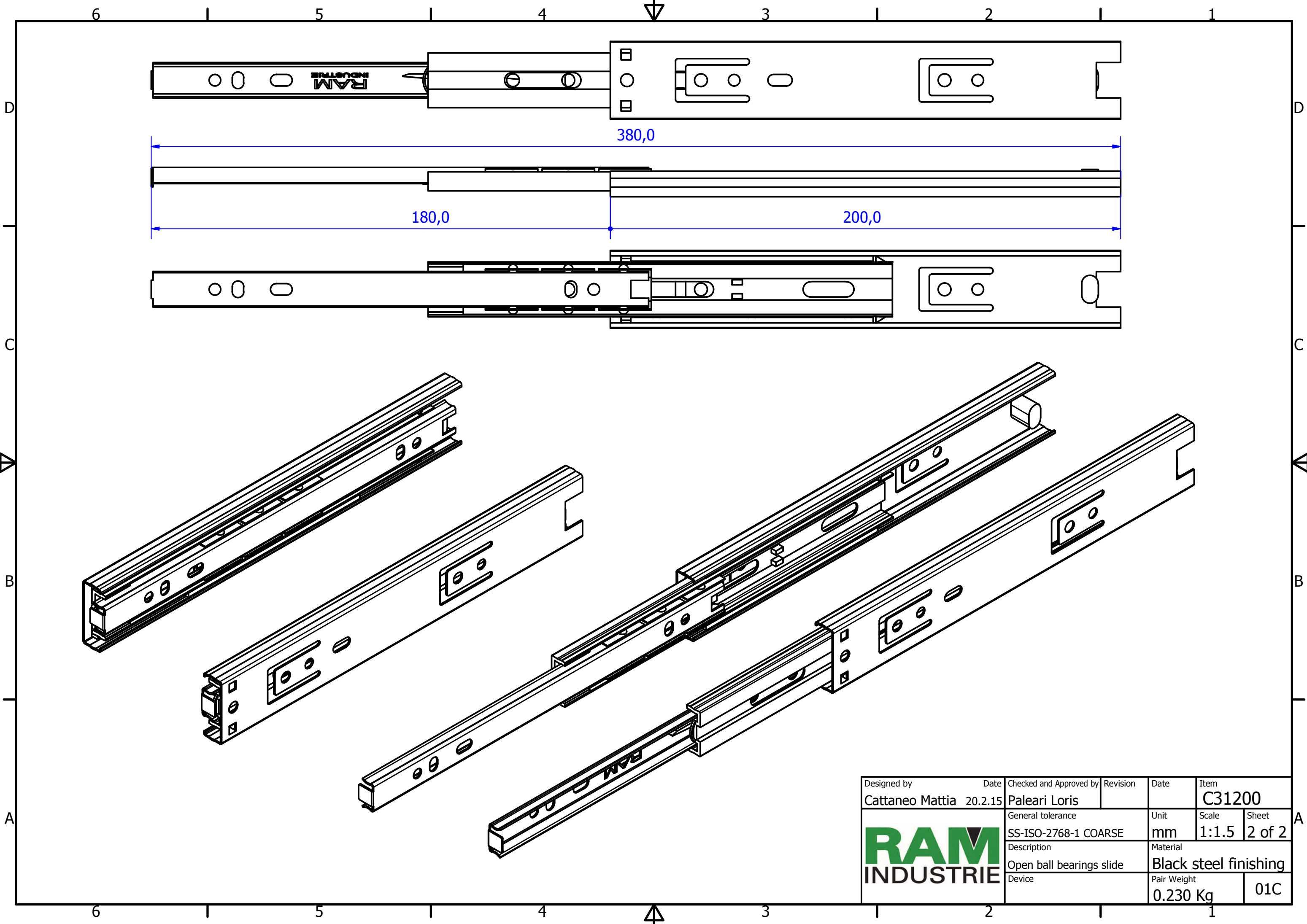


B (1 : 1)



A (1 : 1)

Designed by Cattaneo Mattia	Date 20.2.15	Checked and Approved by Paleari Loris	Revision	Date	Item C31200
			General tolerance SS-ISO-2768-1 COARSE	Unit mm	Scale 1:1
			Description Closed ball bearings slide	Material Black steel finishing	Sheet 1 of 2
Device				Pair Weight 0.230 Kg	01C



Designed by	Date	Checked and Approved by	Revision	Date	Item
Cattaneo Mattia	20.2.15	Paleari Loris			C31200
General tolerance			Unit	Scale	Sheet
SS-ISO-2768-1 COARSE			mm	1:1.5	2 of 2
Description			Material		
Open ball bearings slide			Black steel finishing		
Device			Pair Weight	01C	
			0.230 Kg		

