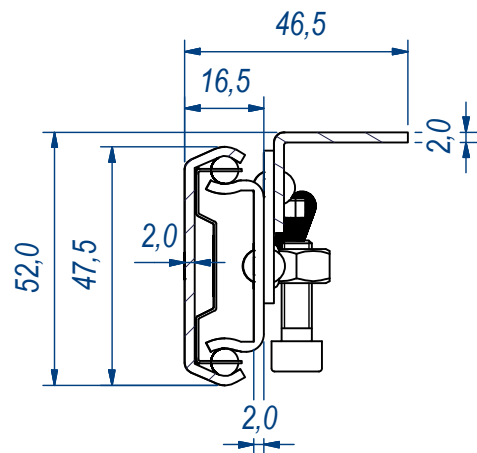
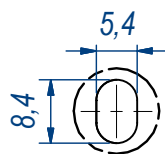


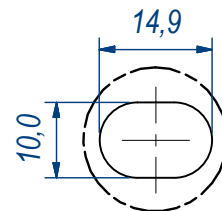
SEZ. A-A



B (1:1)

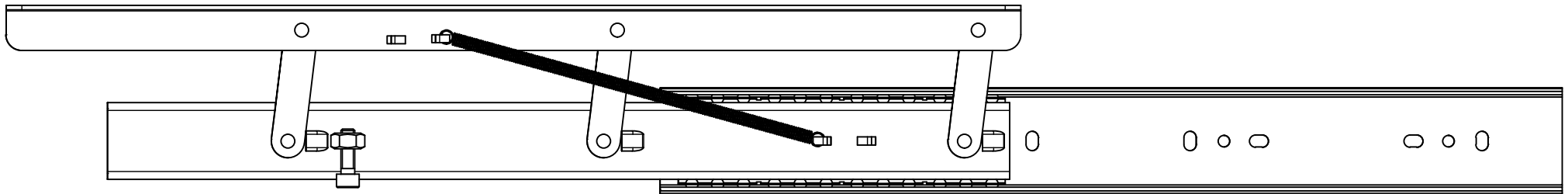
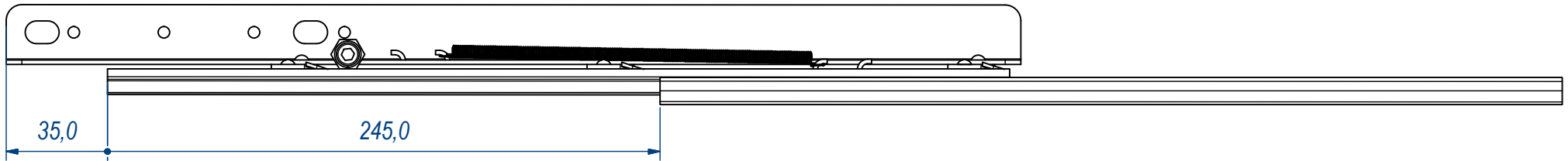
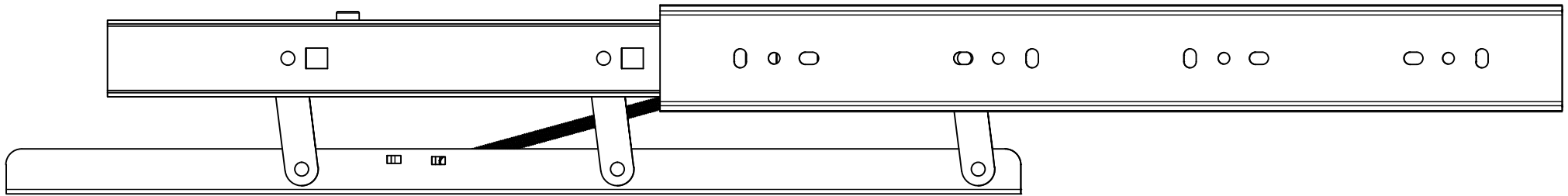



C (1:1)



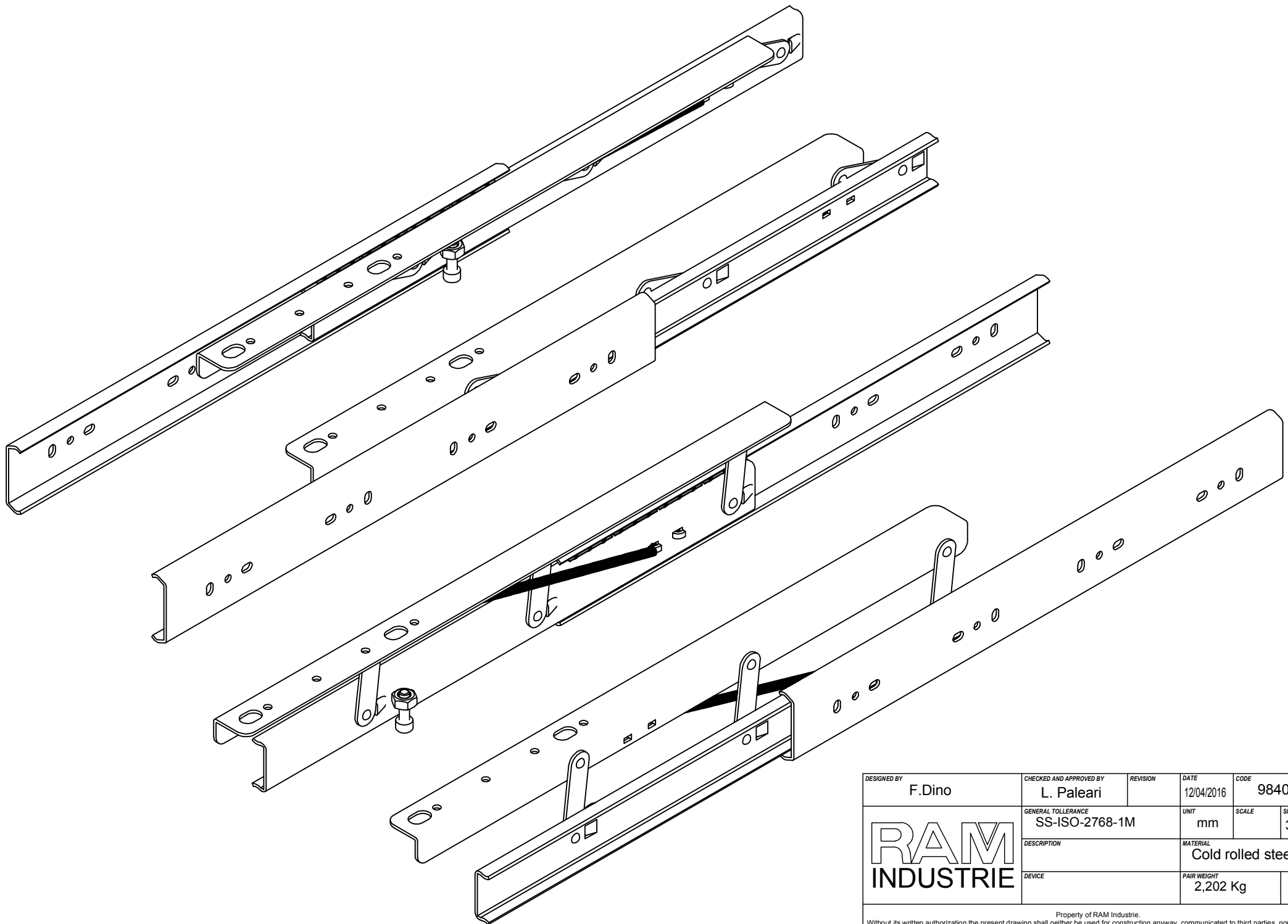
DESIGNED BY F.Dino	CHECKED AND APPROVED BY L. Paleari	REVISION	DATE 12/04/2016	CODE 98400
GENERAL TOLERANCE SS-ISO-2768-1M			UNIT mm	SHEET 1 of 3
DESCRIPTION			MATERIAL Cold rolled steel	
DEVICE			PAIR WEIGHT 2,202 Kg	06C


Property of RAM Industrie.
Without its written authorization the present drawing shall neither be used for construction anyway, communicated to third parties, nor reproduced.



DESIGNED BY F.Dino	CHECKED AND APPROVED BY L. Paleari	REVISION	DATE 12/04/2016	CODE 98400
	GENERAL TOLLERANCE SS-ISO-2768-1M	UNIT mm	SCALE	SHEET 2 of 3
	DESCRIPTION	MATERIAL Cold rolled steel		
	DEVICE	PAIR WEIGHT 2,202 Kg	06C	

Property of RAM Industrie.
Without its written authorization the present drawing shall neither be used for construction anyway, communicated to third parties, nor reproduced.



DESIGNED BY F.Dino	CHECKED AND APPROVED BY L. Paleari	REVISION	DATE 12/04/2016	CODE 98400
		GENERAL TOLLERANCE SS-ISO-2768-1M	UNIT mm	SCALE SHEET 3 of 3
		DESCRIPTION	MATERIAL Cold rolled steel	
DEVICE		PAIR WEIGHT 2,202 Kg		

Property of RAM Industrie.
Without its written authorization the present drawing shall neither be used for construction anyway, communicated to third parties, nor reproduced.