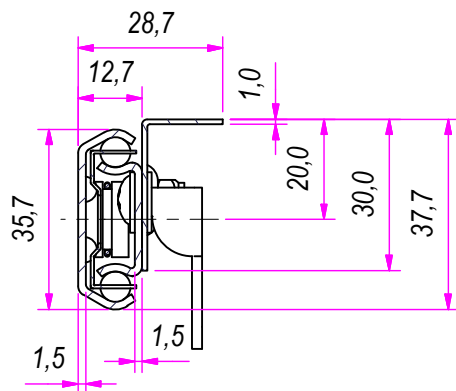
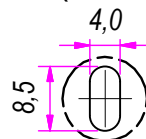


SEZ. A-A



B (1:1)

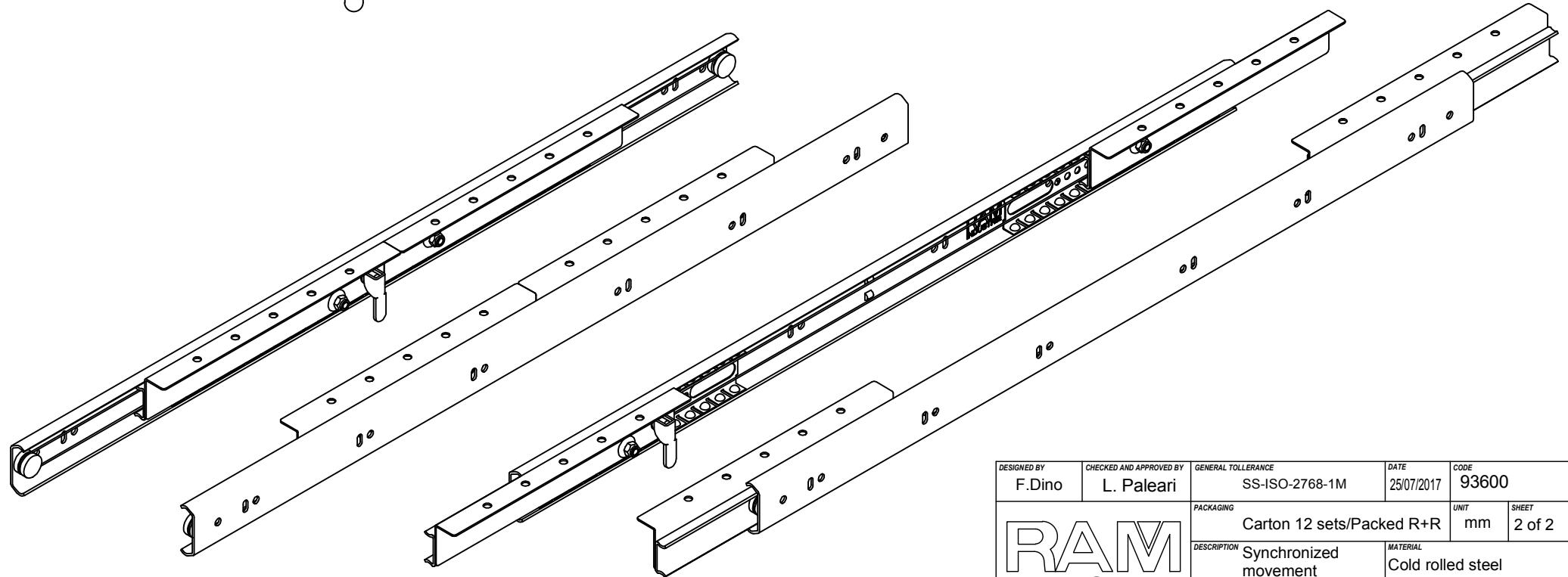
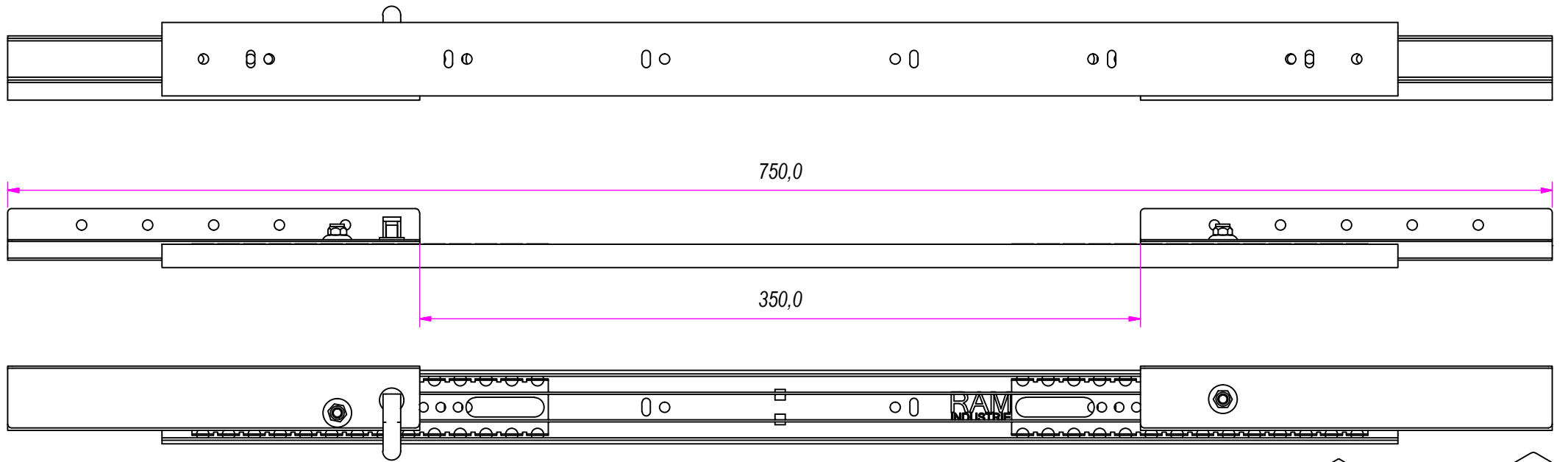


DESIGNED BY F.Dino	CHECKED AND APPROVED BY L. Paleari	GENERAL TOLERANCE SS-ISO-2768-1M	DATE 25/07/2017	CODE 93600
		PACKAGING Carton 12 sets/Packed R+R	UNIT mm	SHEET 1 of 2
		DESCRIPTION Synchronized movement	MATERIAL Cold rolled steel	
		DEVICE Lock-out	PAIR WEIGHT 1,612 Kg	02C

		REVISION HISTORY	
		REV	DESCRIPTION
Guide per cassetti; guide telescopiche	Coulisses à billes; coulisse télescopique		
Drawer slide; telescopic ball bearing slide	Guías para cajones; guía teleópica	1a	
Kugelführung; Teleskopschienen			

DATE
25/07/2017

Property of RAM Industrie.
Without its written authorization the present drawing shall neither be used for construction anyway, communicated to third parties, nor reproduced.



Guide per cassetti; guide telescopiche
 Drawer slide; telescopic ball bearing slide
 Kugelführung; Teleskopschienen

Coulisses à billes; coulisse télescopique
 Guías para cajones; guía teleópica

REVISION HISTORY	
REV	DESCRIPTION
1a	

DATE
25/07/2017

DESIGNED BY F. Dino	CHECKED AND APPROVED BY L. Paleari	GENERAL TOLERANCE SS-ISO-2768-1M	DATE 25/07/2017	CODE 93600
		PACKAGING Carton 12 sets/Packed R+R	UNIT mm	SHEET 2 of 2
		DESCRIPTION Synchronized movement	MATERIAL Cold rolled steel	
		DEVICE Lock-out	PAIR WEIGHT 1,612 Kg	02C

Property of RAM Industrie.
 Without its written authorization the present drawing shall neither be used for construction anyway, communicated to third parties, nor reproduced.