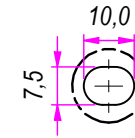
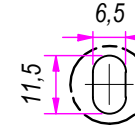


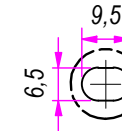
B ( 1 : 1.5 )



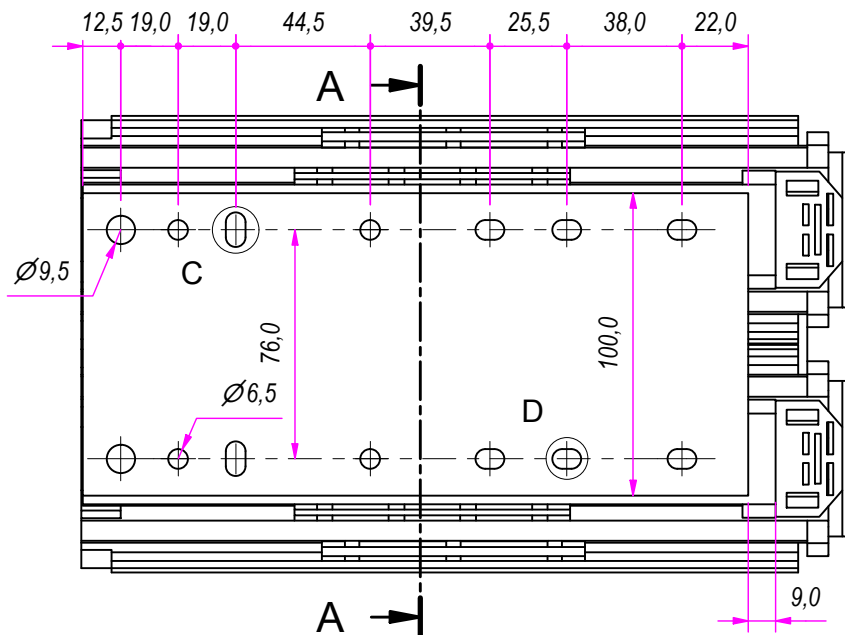
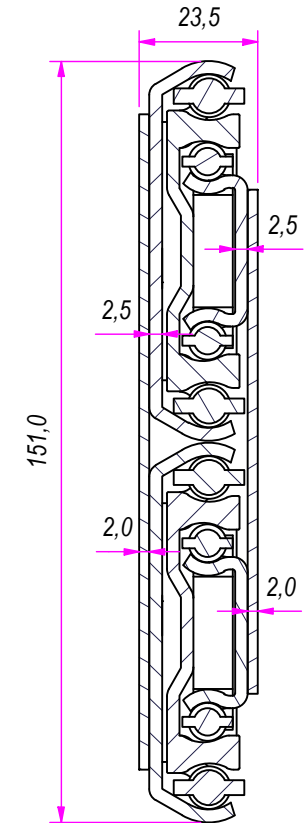
C ( 1 : 1.5 )



D ( 1 : 1.5 )



SEZ. A-A

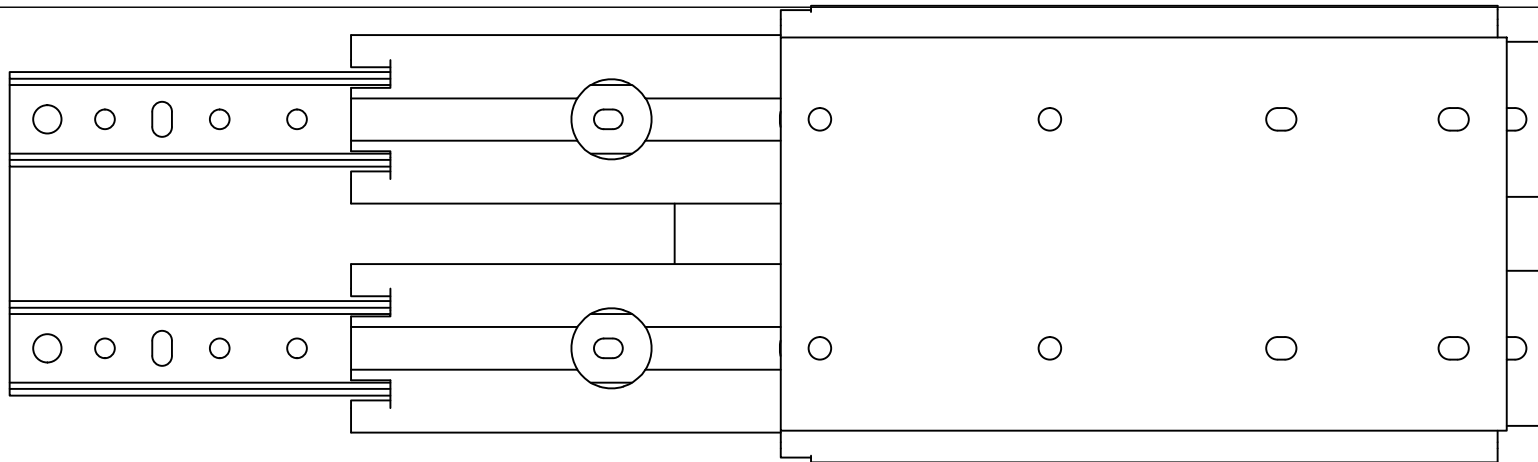


REVISION HISTORY			
REV	DESCRIPTION	APPROVED BY	DATE
1		F.Dino	19/05/2020

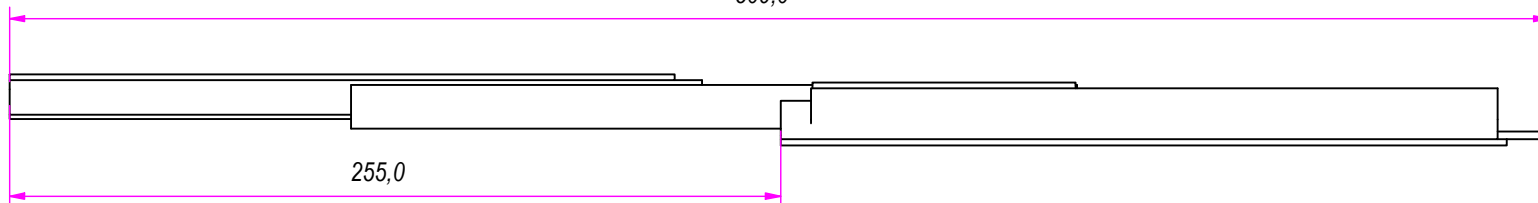
DESIGNED BY F.Dino	CHECKED AND APPROVED BY L. Paleari	DATE 19/05/2020	CODE 88250
GENERAL TOLLERANCE SS-ISO-2768-1M		UNIT mm	SCALE 1 of 3
DESCRIPTION		MATERIAL Cold rolled steel	
DEVICE		PIECE WEIGHT	

**RAM**  
**INDUSTRIE**

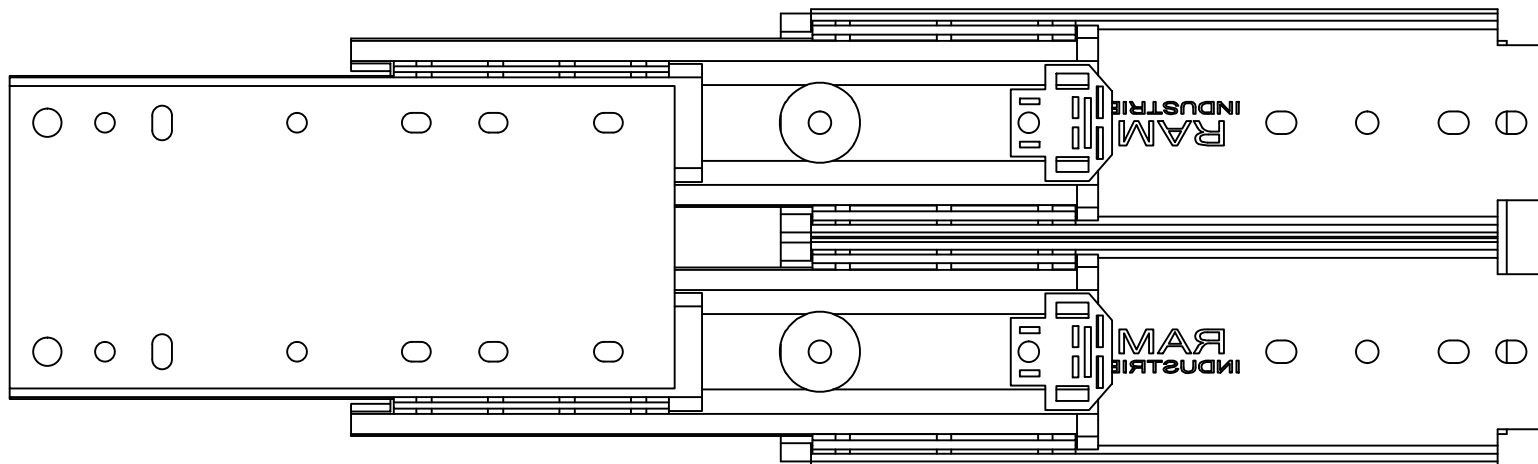
Property of RAM Industrie.  
Without its written authorization the present drawing shall neither be used for construction anyway, communicated to third parties, nor reproduced.




509,0



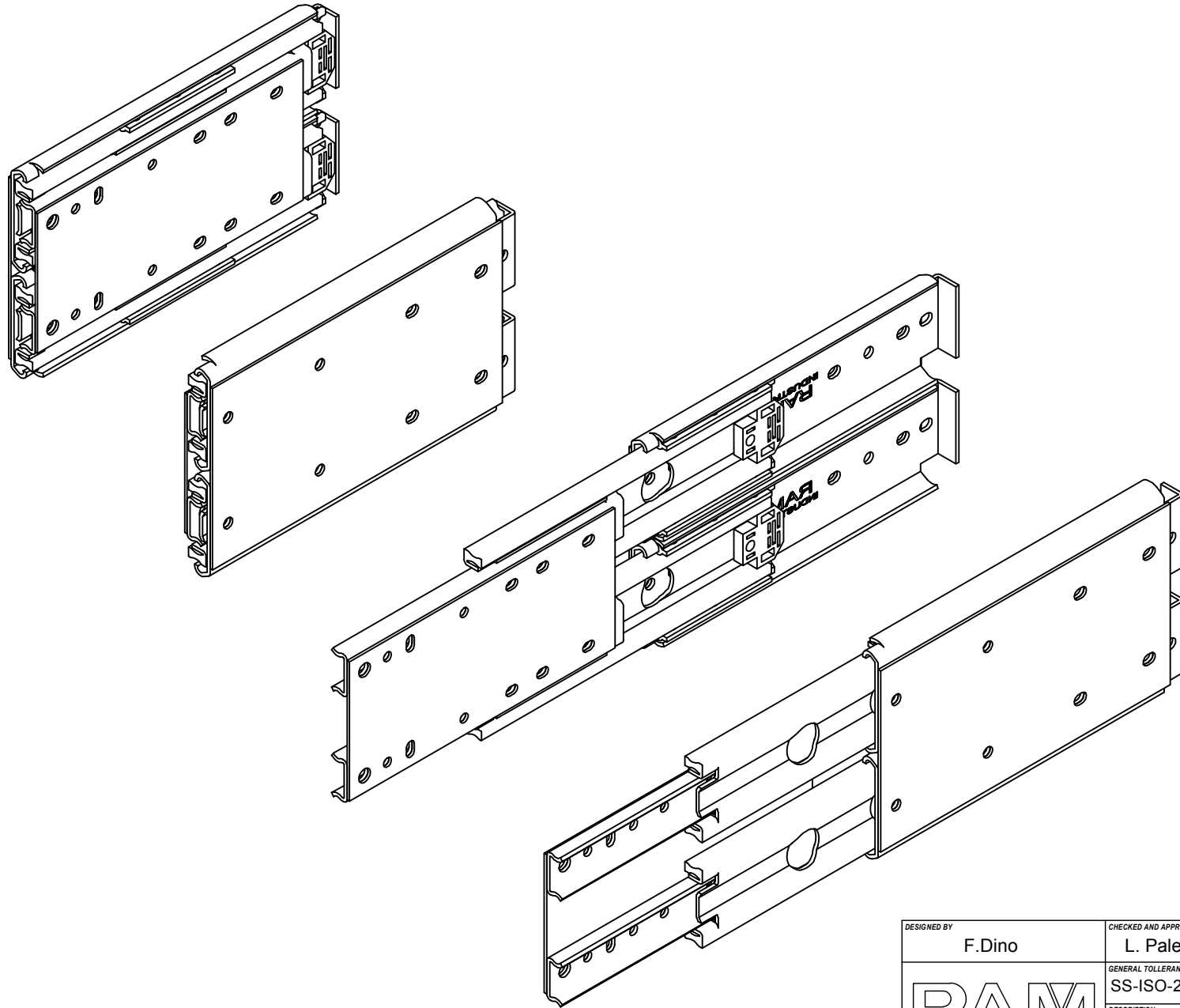
255,0




REVISION HISTORY			
REV	DESCRIPTION	APPROVED BY	DATE
1		F.Dino	19/05/2020

DESIGNED BY F.Dino	CHECKED AND APPROVED BY L. Paleari	DATE 19/05/2020	CODE 88250	
		GENERAL TOLLERANCE SS-ISO-2768-1M	UNIT mm	SCALE SHEET 2 of 3
		DESCRIPTION	MATERIAL Cold rolled steel	
DEVICE		PIECE WEIGHT		

Property of RAM Industrie.  
Without its written authorization the present drawing shall neither be used for construction anyway, communicated to third parties, nor reproduced.



DESIGNED BY F.Dino	CHECKED AND APPROVED BY L. Paleari	DATE 19/05/2020	CODE 88250
	GENERAL TOLLERANCE SS-ISO-2768-1M	UNIT mm	SCALE SHEET 3 of 3
	DESCRIPTION	MATERIAL Cold rolled steel	
	DEVICE	PIECE WEIGHT	

Property of RAM Industrie.  
Without its written authorization the present drawing shall neither be used for construction anyway, communicated to third parties, nor reproduced.