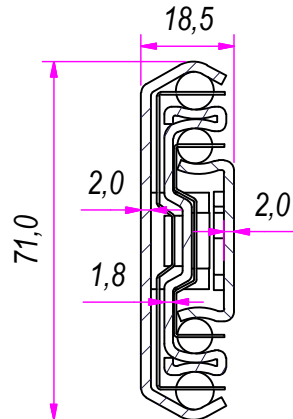


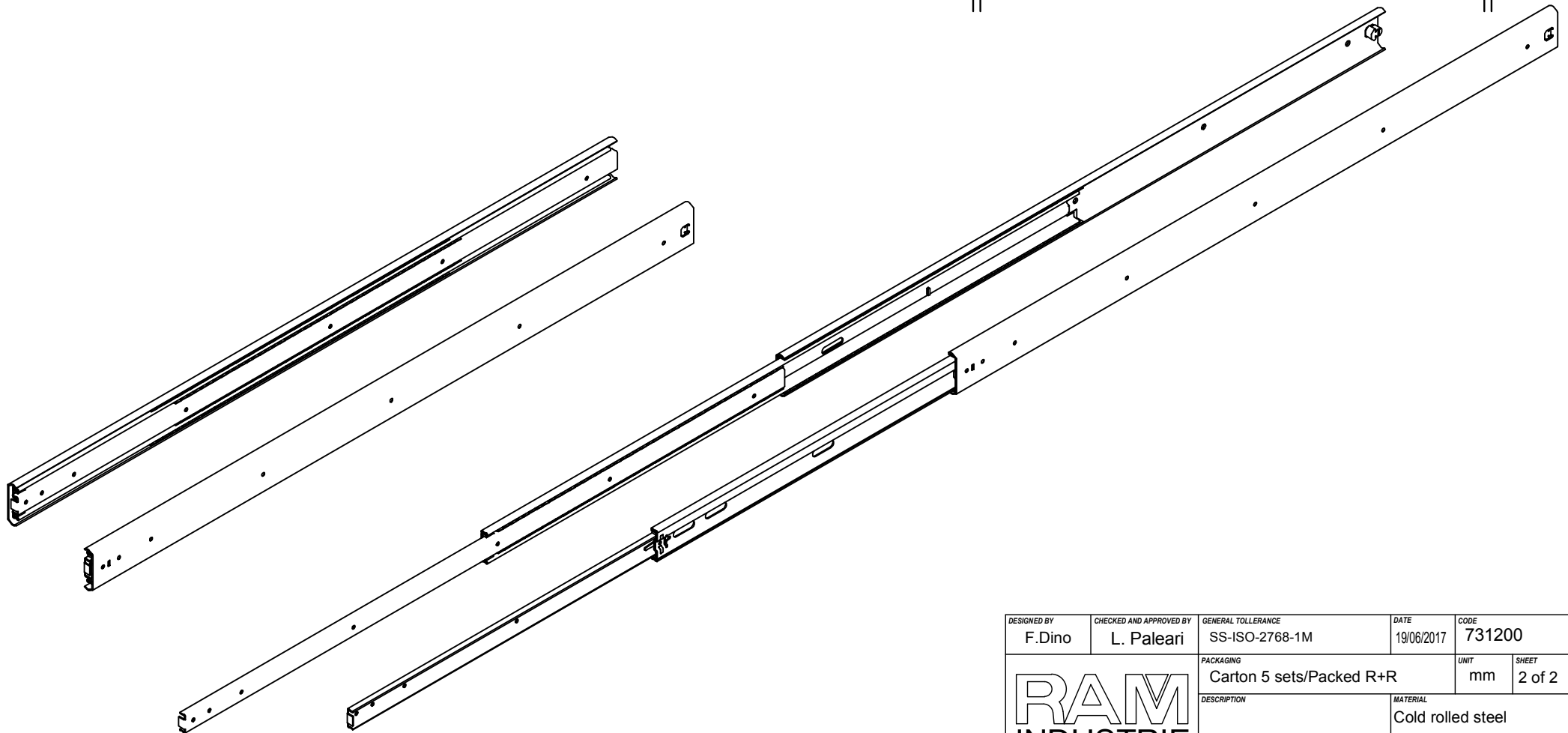
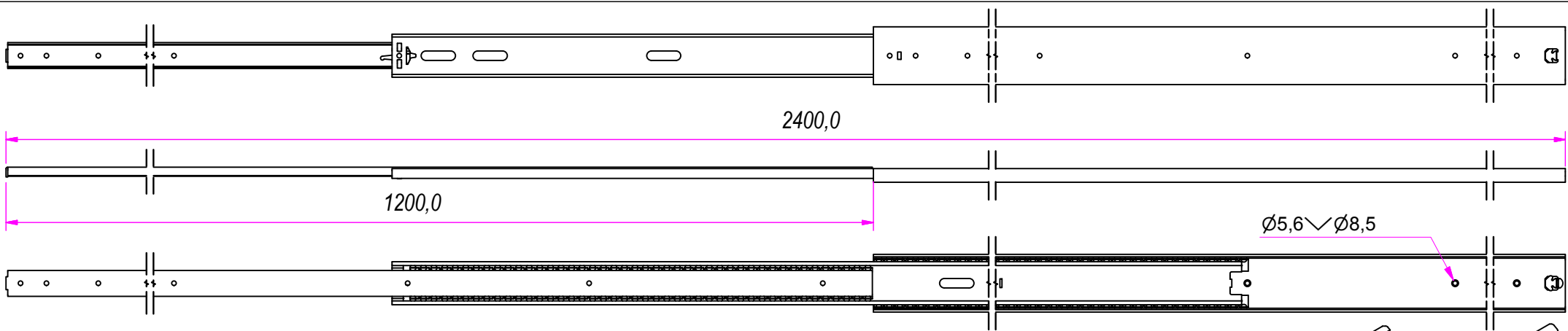
SEZ. A-A



DESIGNED BY F. Dino	CHECKED AND APPROVED BY L. Paleari	GENERAL TOLERANCE SS-ISO-2768-1M	DATE 19/06/2017	CODE 731200
		PACKAGING Carton 5 sets/Packed R+R	UNIT mm	SHEET 1 of 2
		DESCRIPTION	MATERIAL Cold rolled steel	
		DEVICE	PAIR WEIGHT 9,816 Kg	10C

		REVISION HISTORY	
		REV	DESCRIPTION
Guide per cassetti; guide telescopiche	Coulisses à billes; coulisse télescopique		
Drawer slide; telescopic ball bearing slide	Guías para cajones; guía teleópica	1a	19/06/2017
Kugelführung; Teleskopschienen			

Property of RAM Industrie.
Without its written authorization the present drawing shall neither be used for construction anyway, communicated to third parties, nor reproduced.



Guide per cassetti; guide telescopiche	Coulisses à billes; coulisse télescopique	REVISION HISTORY	
Drawer slide; telescopic ball bearing slide	Guías para cajones; guía teleópica	REV	DESCRIPTION
Kugelführung; Teleskopschienen		1a	DATE
			19/06/2017

DESIGNED BY F.Dino	CHECKED AND APPROVED BY L. Paleari	GENERAL TOLLERANCE SS-ISO-2768-1M	DATE 19/06/2017	CODE 731200
PACKAGING Carton 5 sets/Packed R+R			UNIT mm	SHEET 2 of 2
DESCRIPTION			MATERIAL Cold rolled steel	
DEVICE			PAIR WEIGHT 9,816 Kg	10C

RAM
INDUSTRIE

Property of RAM Industrie.
Without its written authorization the present drawing shall neither be used for construction anyway, communicated to third parties, nor reproduced.