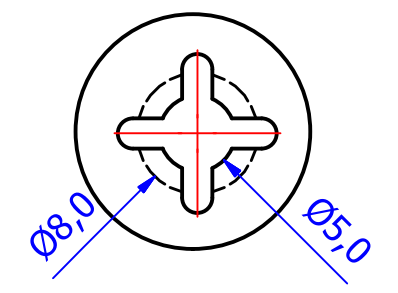
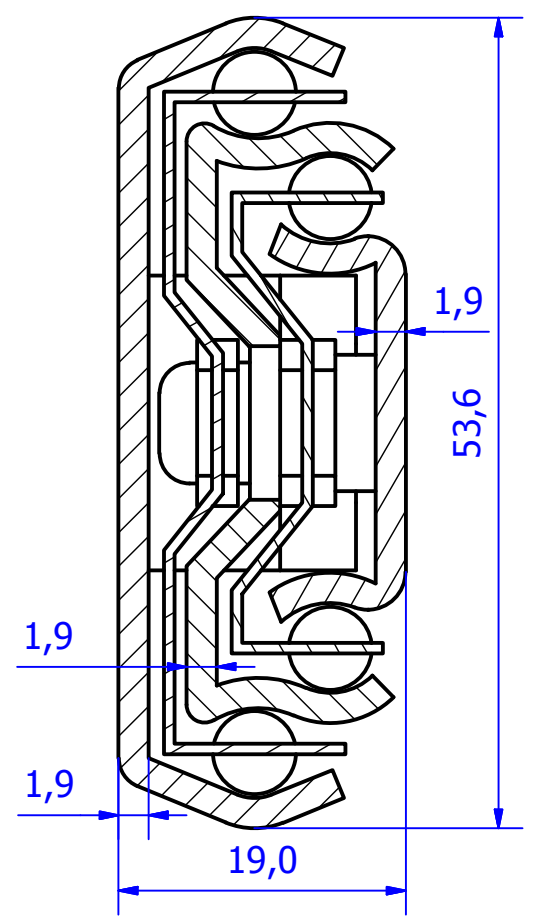


D (2 : 1)

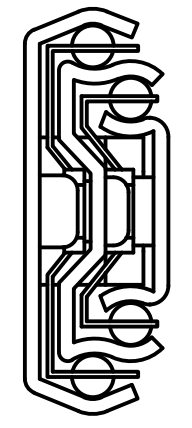


C-C (2 : 1)

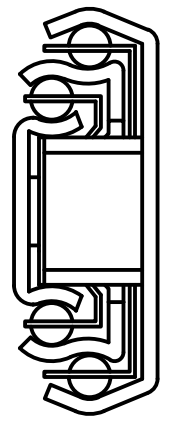



Cage with 12 ball bearings
Cage with 10 ball bearings

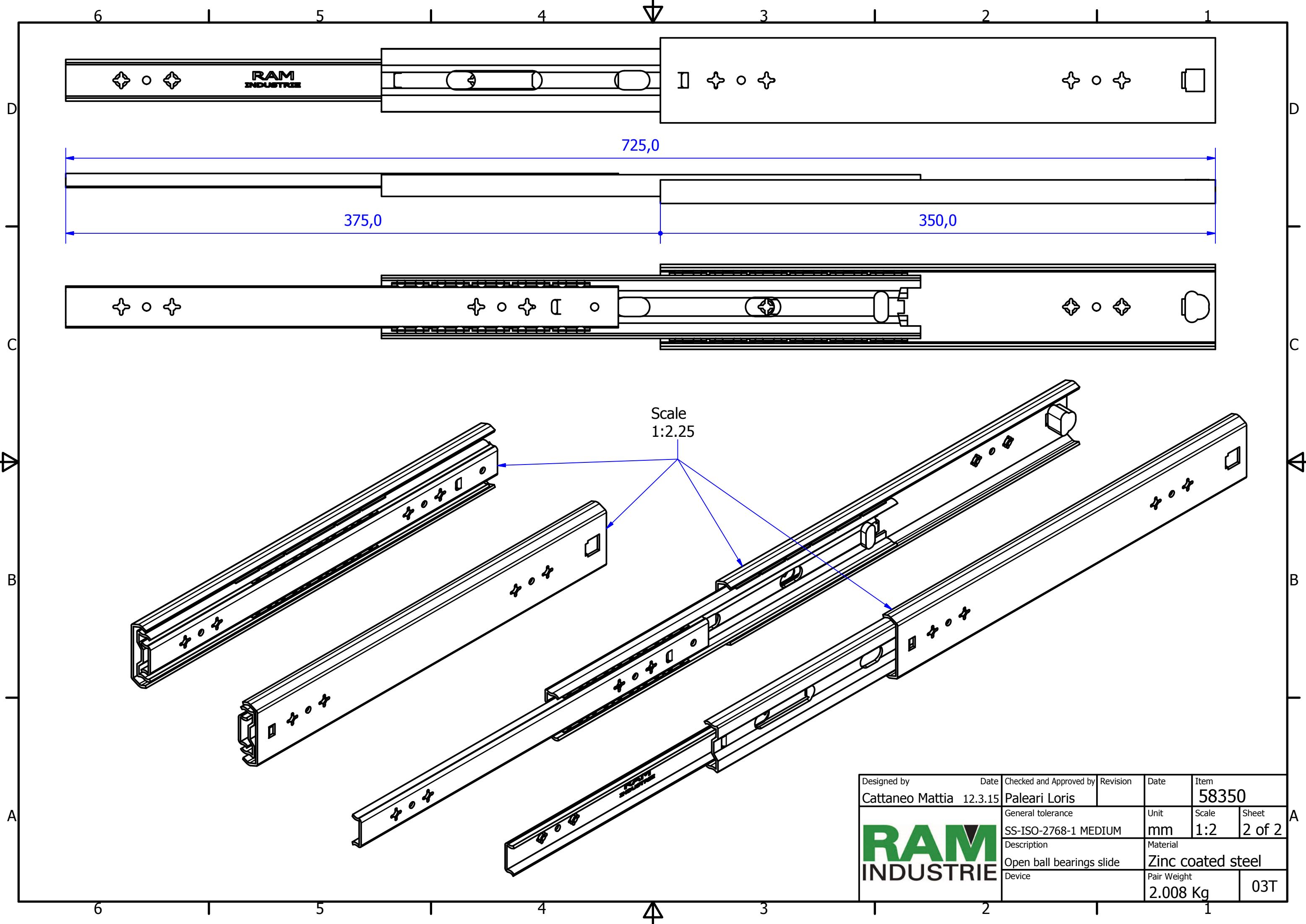
A (1 : 1)




B (1 : 1)



Designed by Cattaneo Mattia	Date 12.3.15	Checked and Approved by Paleari Loris	Revision	Date	Item 58350
			General tolerance SS-ISO-2768-1 MEDIUM	Unit mm	Scale 1:1.25
			Description Closed ball bearings slide	Material Zinc coated steel	Sheet 1 of 2
Device				Pair Weight 2.008 Kg	03T



Scale
1:2.25

Designed by Cattaneo Mattia	Date 12.3.15	Checked and Approved by Paleari Loris	Revision	Date	Item 58350
			General tolerance SS-ISO-2768-1 MEDIUM	Unit mm	Scale 1:2
			Description Open ball bearings slide	Material Zinc coated steel	
Device				Pair Weight 2.008 Kg	03T

A