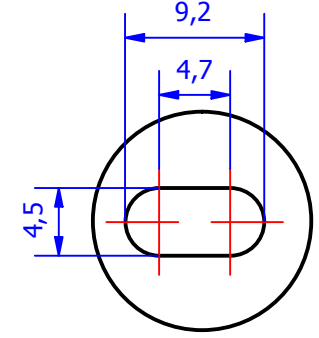
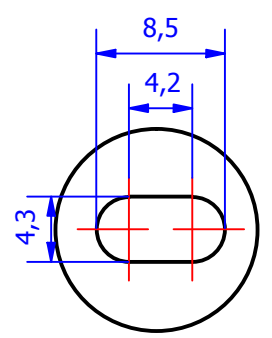


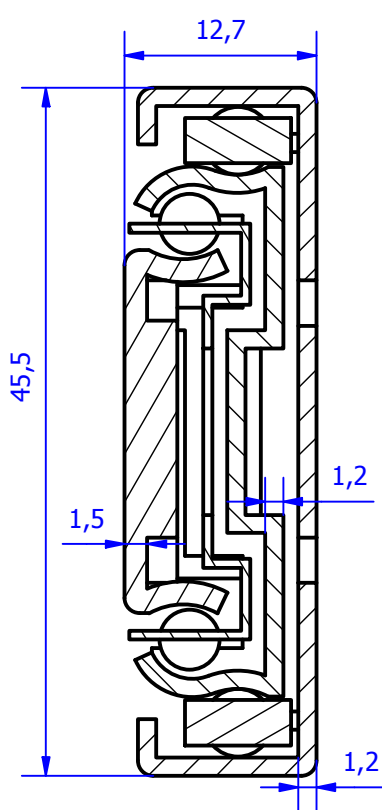
Cage with 60 ball bearings



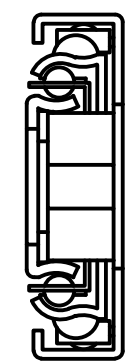
D (2 : 1)



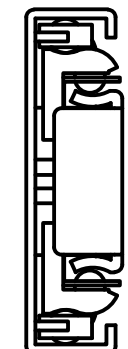
E (2 : 1)




C-C (2 : 1)

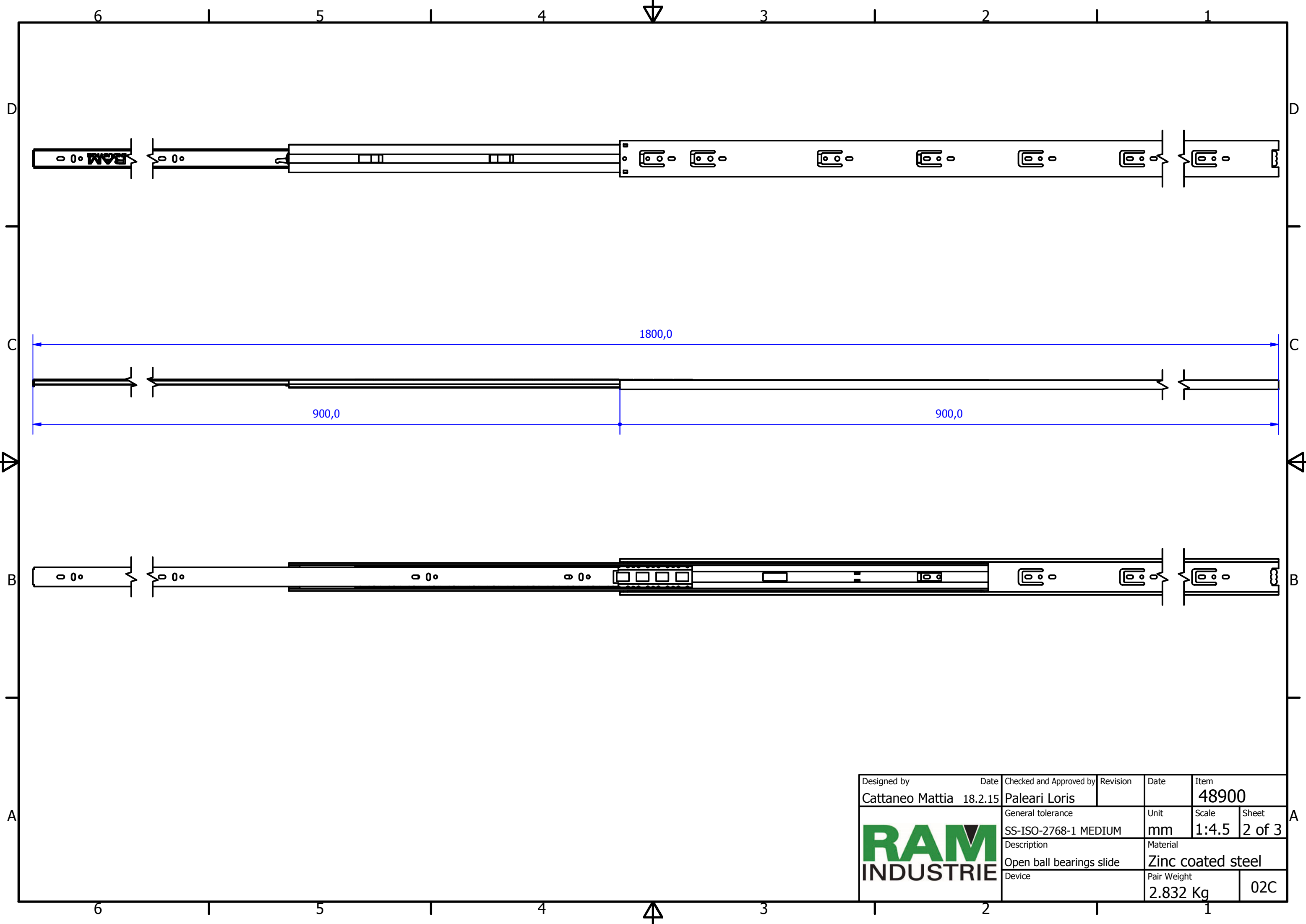



B (1 : 1)

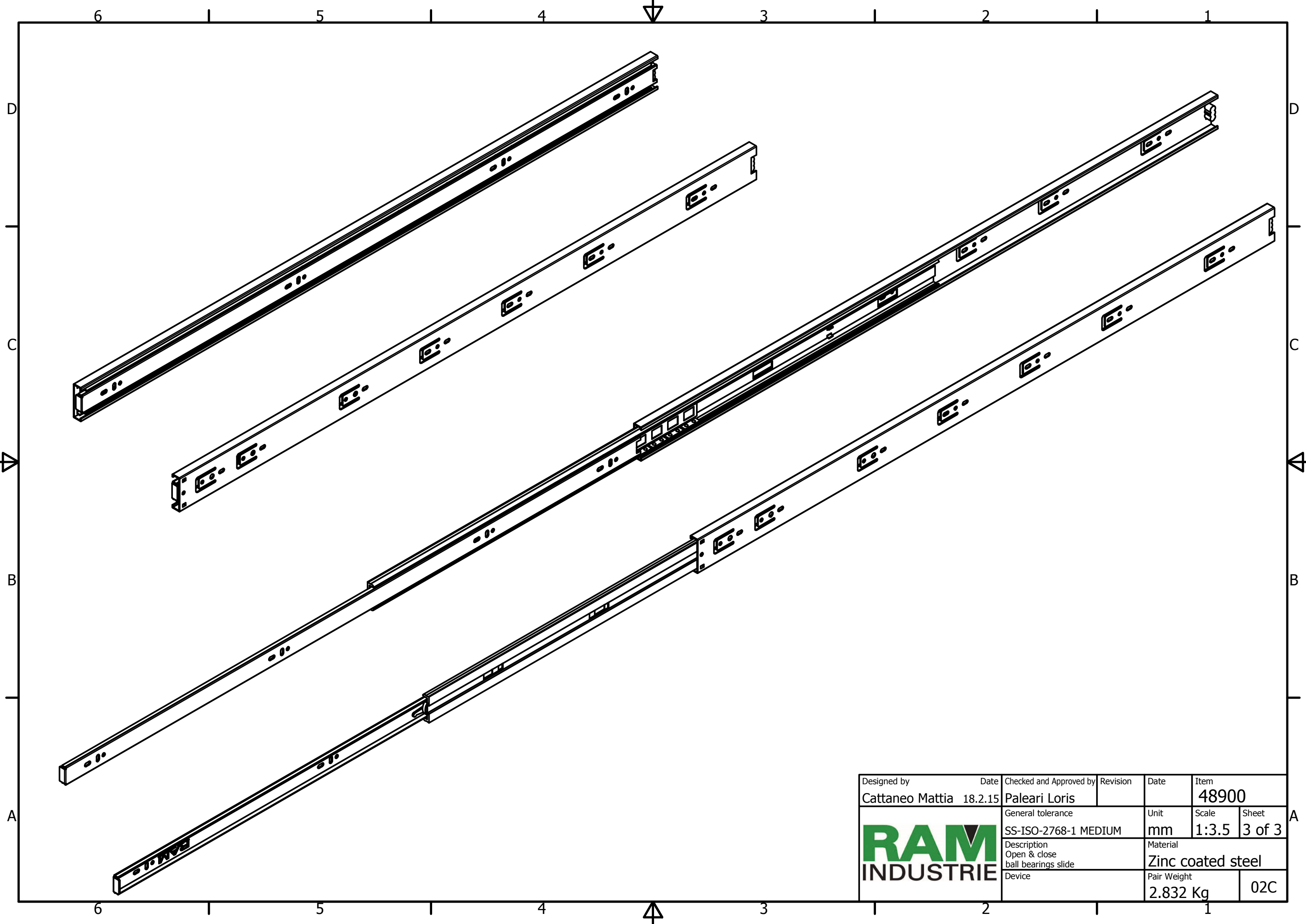



A (1 : 1)

Designed by Cattaneo Mattia	Date 18.2.15	Checked and Approved by Paleari Loris	Revision	Date	Item 48900
		General tolerance SS-ISO-2768-1 MEDIUM	Unit mm	Scale 1:1.75	Sheet 1 of 3
		Description Closed ball bearings slide	Material Zinc coated steel	Pair Weight 2.832 Kg	02C



Designed by	Date	Checked and Approved by	Revision	Date	Item
Cattaneo Mattia	18.2.15	Paleari Loris			48900
	General tolerance		Unit	Scale	Sheet
	SS-ISO-2768-1 MEDIUM		mm	1:4.5	2 of 3
	Description		Material		
	Open ball bearings slide		Zinc coated steel		
Device			Pair Weight	02C	
			2.832 Kg		



Designed by Cattaneo Mattia	Date 18.2.15	Checked and Approved by Paleari Loris	Revision	Date	Item 48900
	General tolerance SS-ISO-2768-1 MEDIUM		Unit mm	Scale 1:3.5	Sheet 3 of 3
	Description Open & close ball bearings slide		Material Zinc coated steel		
	Device		Pair Weight 2.832 Kg		02C