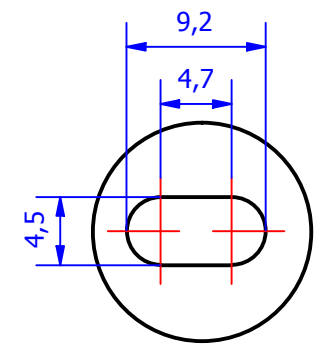
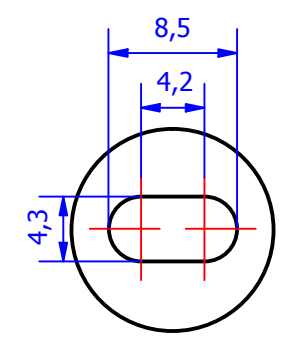


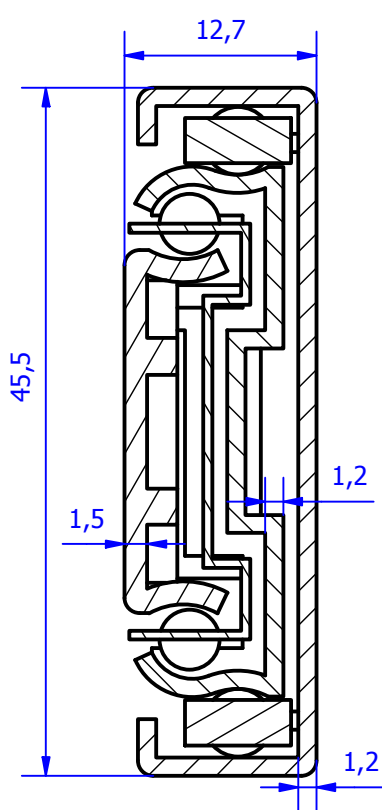
Cage with 60 ball bearings



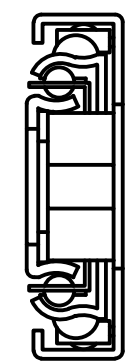
D (2 : 1)



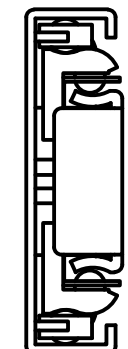
E (2 : 1)



C-C (2 : 1)

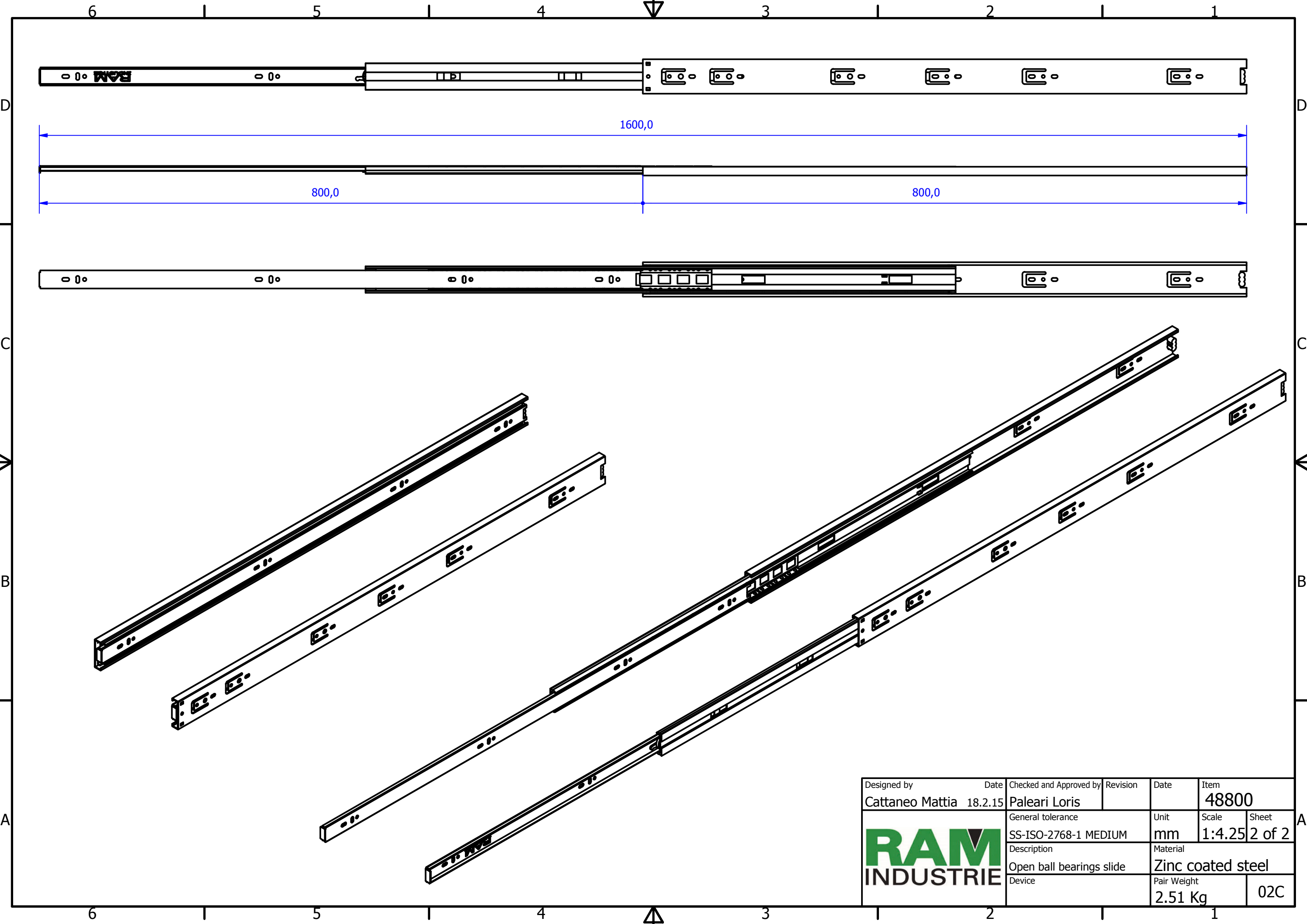



B (1 : 1)



A (1 : 1)

Designed by Cattaneo Mattia	Date 18.2.15	Checked and Approved by Paleari Loris	Revision	Date	Item 48800
			General tolerance SS-ISO-2768-1 MEDIUM	Unit mm	Scale 1:1.75
			Description Closed ball bearings slide	Material Zinc coated steel	Sheet 1 of 2
Device				Pair Weight 2.51 Kg	02C



Designed by	Date	Checked and Approved by	Revision	Date	Item
Cattaneo Mattia	18.2.15	Paleari Loris			48800
	General tolerance		Unit	Scale	Sheet
	SS-ISO-2768-1 MEDIUM		mm	1:4.25	2 of 2
Description			Material		
Open ball bearings slide			Zinc coated steel		
Device			Pair Weight	02C	
			2.51 Kg		