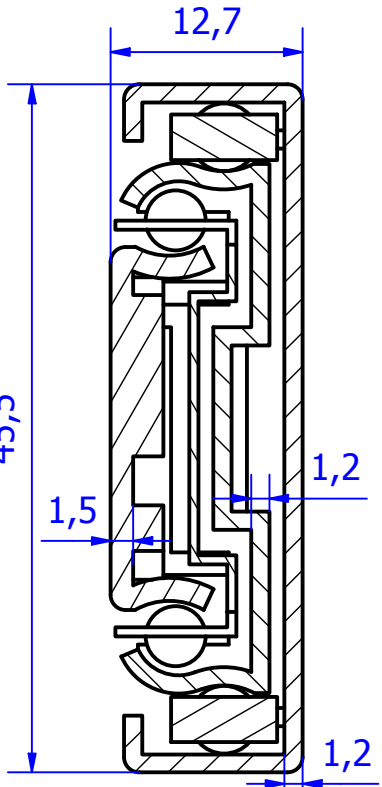
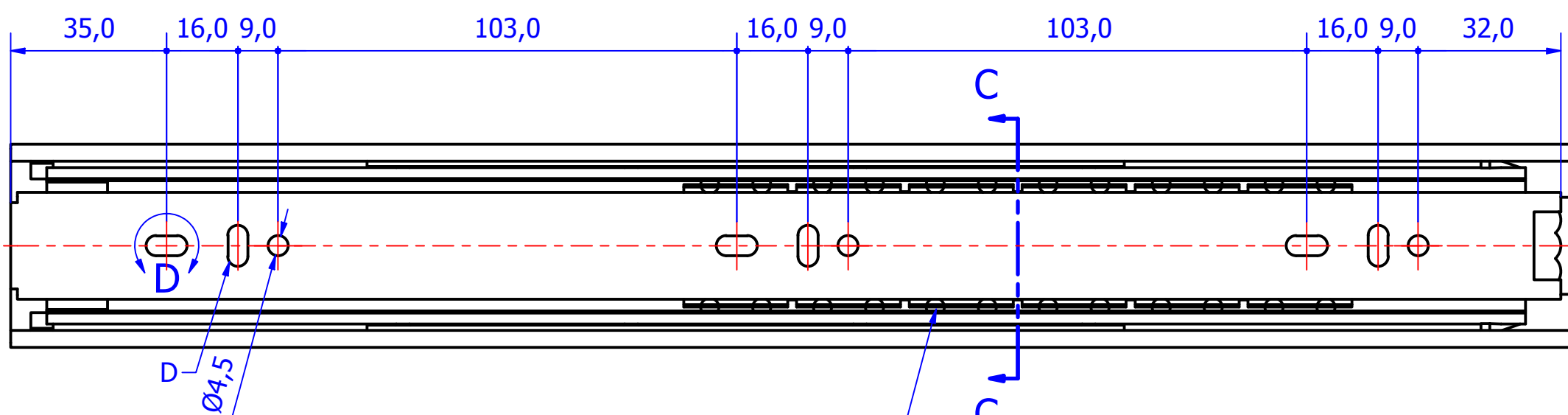
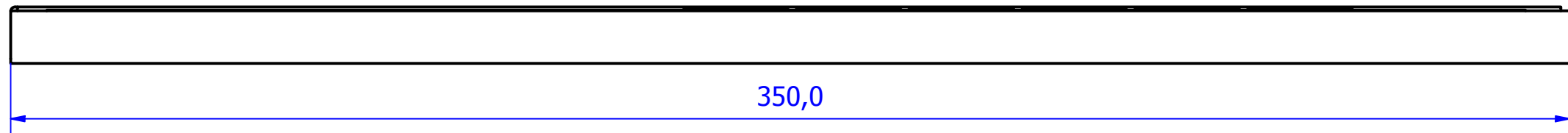


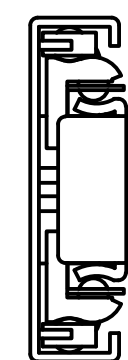
D (2:1)



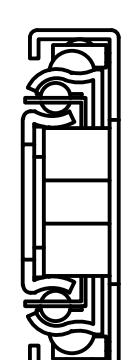
C-C (2:1)



Cage with 24 ball bearings

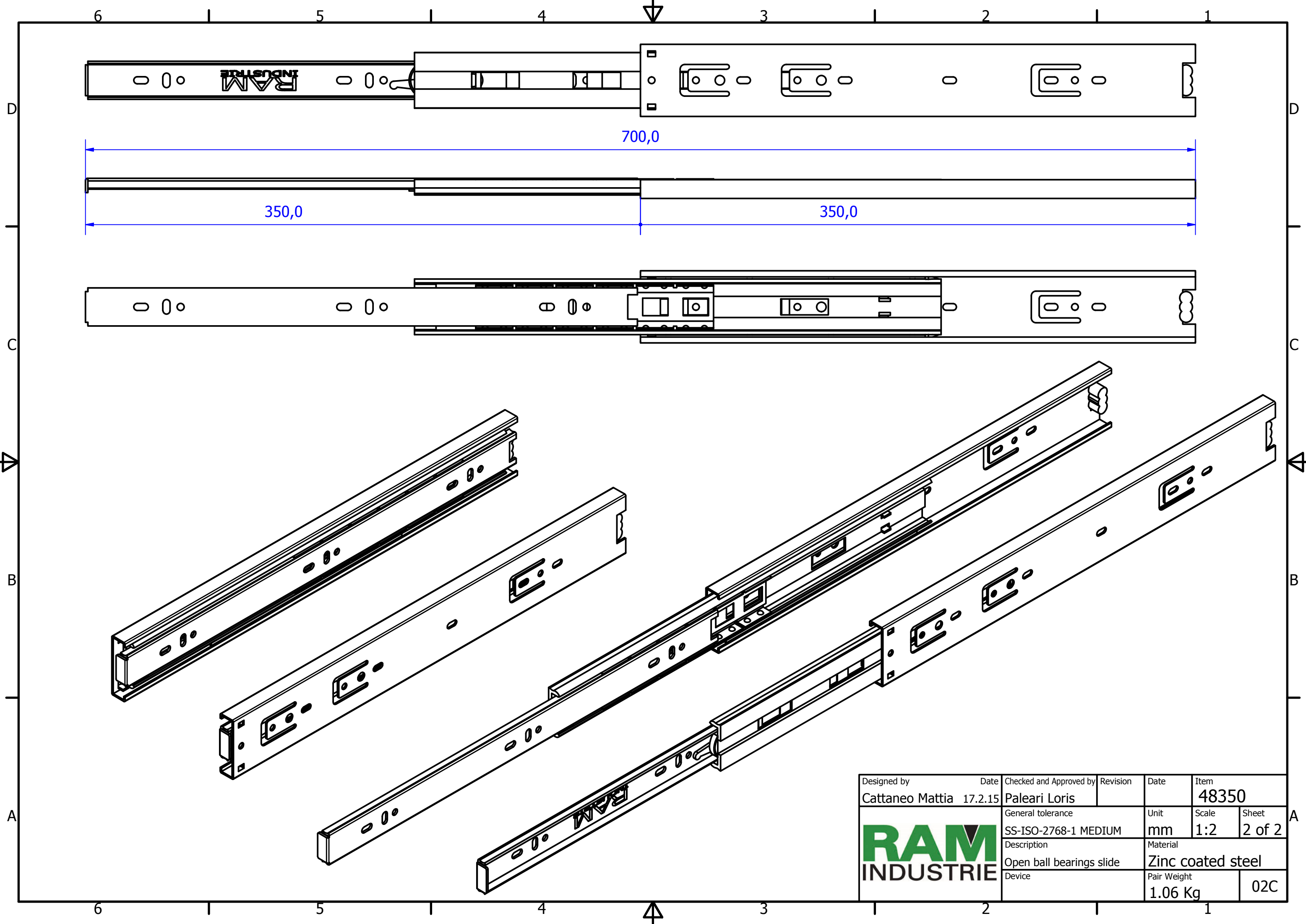



A (1:1)



B (1:1)

Designed by Cattaneo Mattia	Date 17.2.15	Checked and Approved by Paleari Loris	Revision	Date	Item 48350
			General tolerance SS-ISO-2768-1 MEDIUM	Unit mm	Scale 1:1.25
			Description Closed ball bearings slide	Material Zinc coated steel	Sheet 1 of 2
Device				Pair Weight 1.06 Kg	02C



Designed by Cattaneo Mattia	Date 17.2.15	Checked and Approved by Paleari Loris	Revision	Date	Item 48350
		General tolerance SS-ISO-2768-1 MEDIUM	Unit mm	Scale 1:2	Sheet 2 of 2
		Description Open ball bearings slide	Material Zinc coated steel		
		Device	Pair Weight 1.06 Kg	02C	