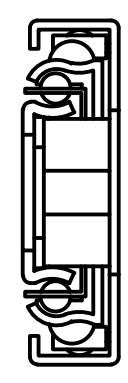

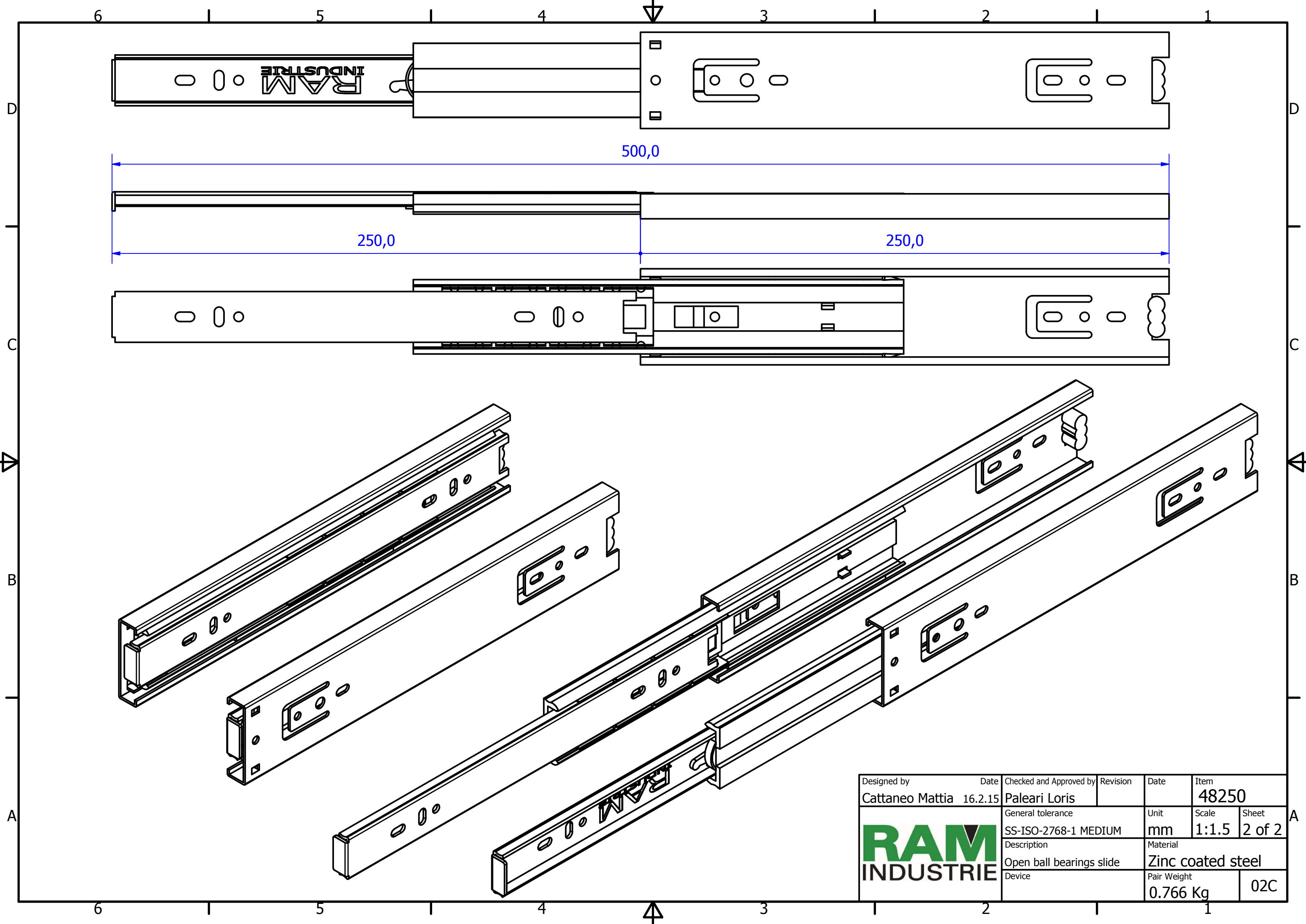



A (1:1)



B (1:1)

Designed by Cattaneo Mattia	Date 16.2.15	Checked and Approved by Paleari Loris	Revision	Date	Item 48250
			General tolerance SS-ISO-2768-1 MEDIUM	Unit mm	Scale 1:1
			Description Closed ball bearings slide	Material Zinc coated steel	
Device				Pair Weight 0.766 Kg	02C



Designed by Cattaneo Mattia	Date 16.2.15	Checked and Approved by Paleari Loris	Revision	Date	Item 48250
			General tolerance SS-ISO-2768-1 MEDIUM	Unit mm	Scale 1:1.5
			Description Open ball bearings slide	Material Zinc coated steel	
Device				Pair Weight 0.766 Kg	02C

A