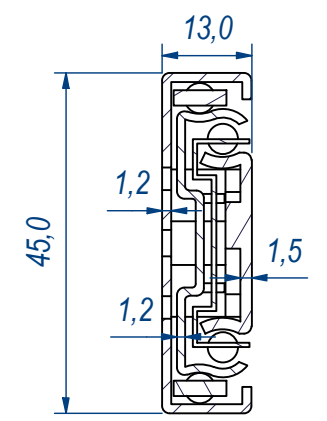
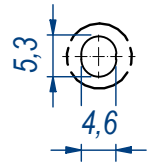


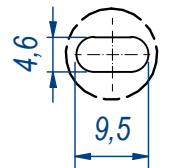
SEZ. A-A



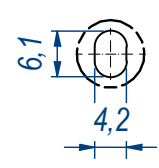
B (1:1)



C (1:1)

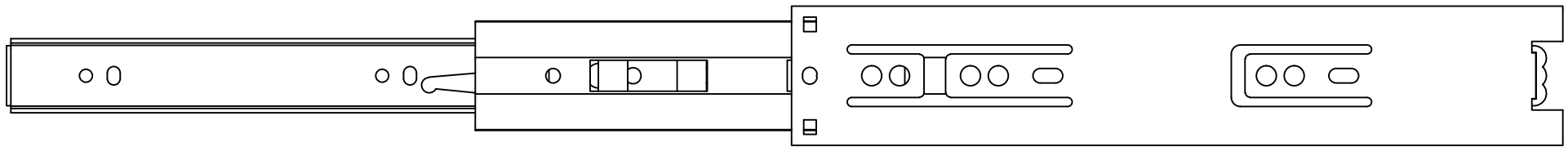


D (1:1)



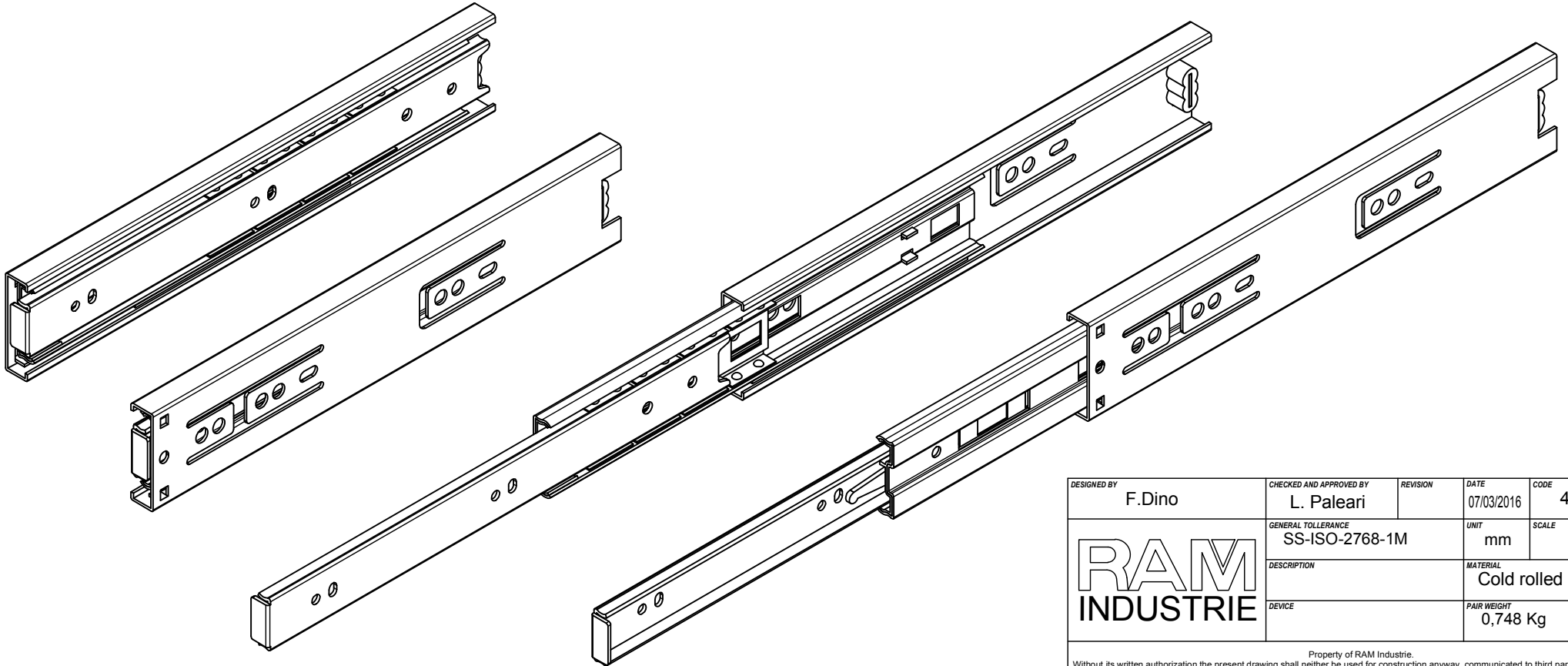
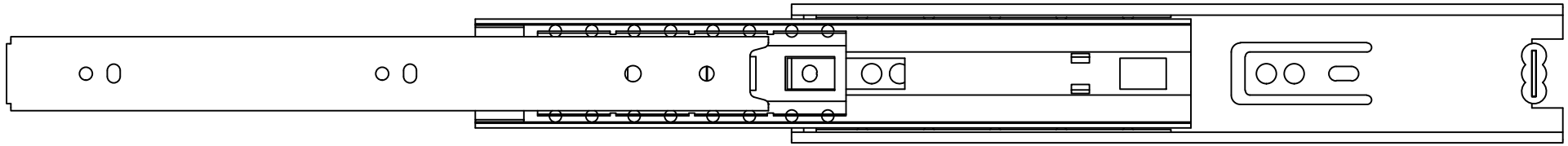
DESIGNED BY F.Dino	CHECKED AND APPROVED BY L. Paleari	REVISION	DATE 07/03/2016	CODE 46250
GENERAL TOLERANCE SS-ISO-2768-1M		UNIT mm	SCALE	SHEET 1 of 2
DESCRIPTION		MATERIAL Cold rolled steel		
DEVICE		PAIR WEIGHT 0,748 Kg	03T	
Property of RAM Industrie. Without its written authorization the present drawing shall neither be used for construction anyway, communicated to third parties, nor reproduced.				

RAM
INDUSTRIE



503,5

253,5



DESIGNED BY F.Dino	CHECKED AND APPROVED BY L. Paleari	REVISION	DATE 07/03/2016	CODE 46250
GENERAL TOLLERANCE SS-ISO-2768-1M			UNIT mm	SHEET 2 of 2
DESCRIPTION			MATERIAL Cold rolled steel	
DEVICE			PAIR WEIGHT 0,748 Kg	03T

Property of RAM Industrie.
Without its written authorization the present drawing shall neither be used for construction anyway, communicated to third parties, nor reproduced.