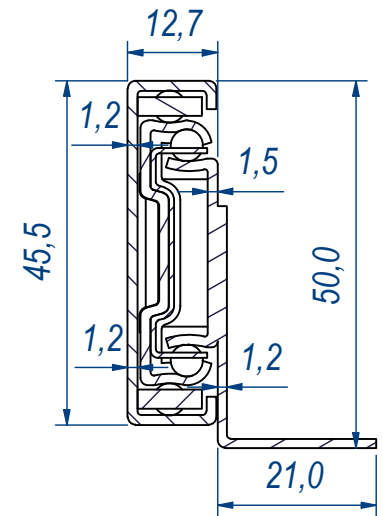
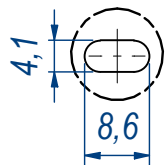


SEZ. A-A



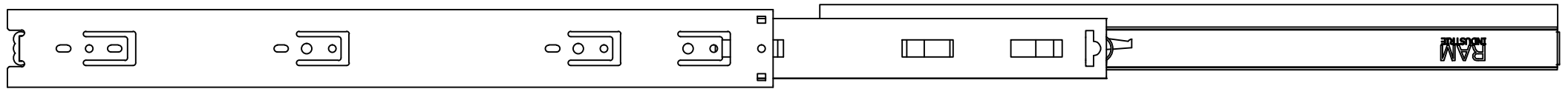
B (1:1)



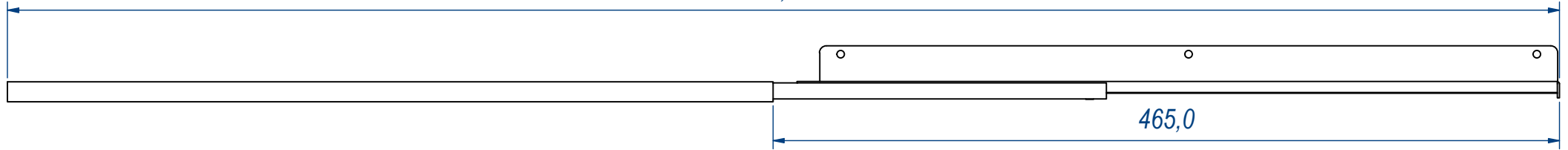
REVISION HISTORY			
REV	DESCRIPTION	APPROVED BY	DATE
1	Holes diameter from 6,1 to 4,5 (16-02)	F.Dino	29/09/2016

DESIGNED BY F.Dino	CHECKED AND APPROVED BY L. Paleari	REVISION	DATE 22/02/2016	CODE 44450
		GENERAL TOLLERANCE SS-ISO-2768-1M	UNIT mm	SCALE 1 of 2
		DESCRIPTION	MATERIAL Cold rolled steel	
DEVICE		PAIR WEIGHT 1,834 Kg	02C	

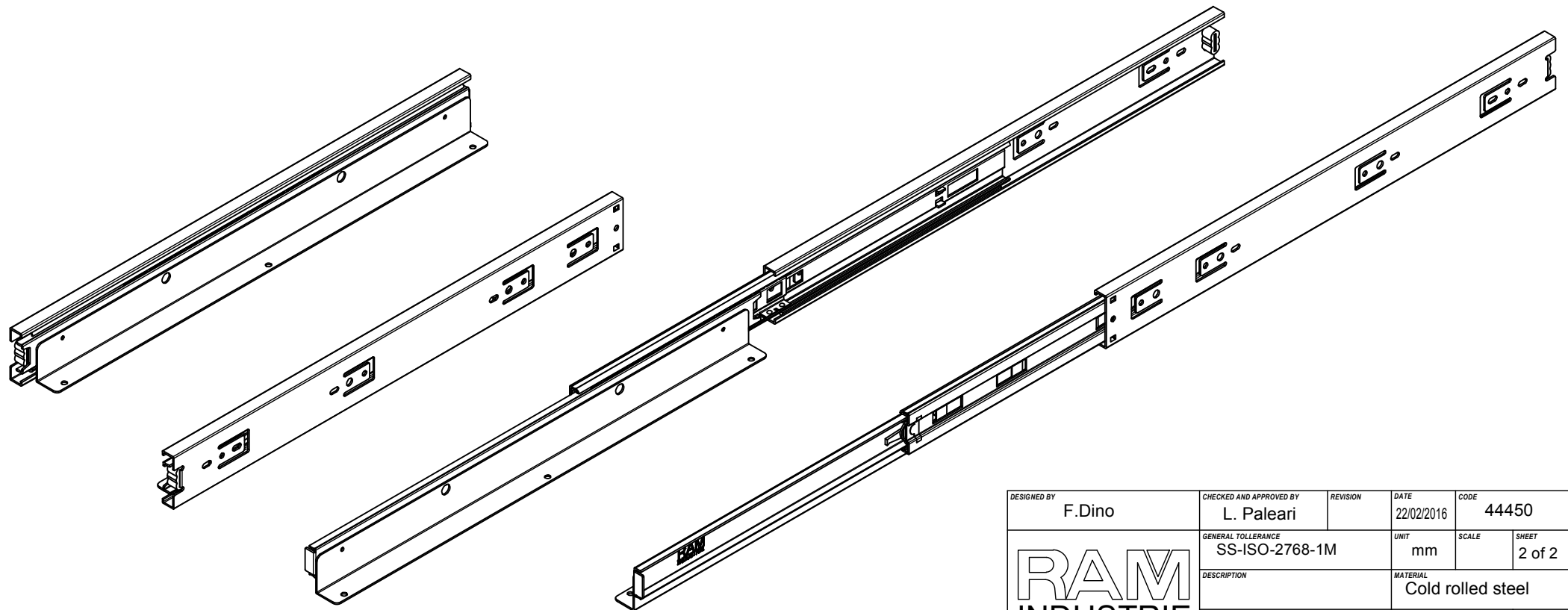
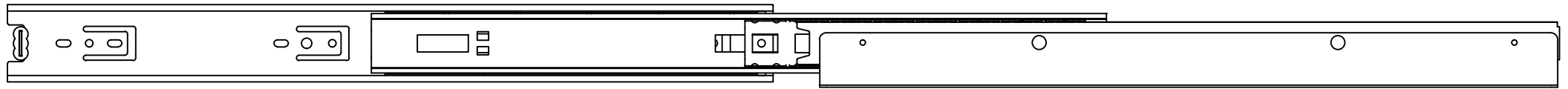
Property of RAM Industrie.
Without its written authorization the present drawing shall neither be used for construction anyway, communicated to third parties, nor reproduced.




915,0



465,0



REVISION HISTORY			
REV	DESCRIPTION	APPROVED BY	DATE
1	Holes diameter from 6,1 to 4,5 (16-02)	F.Dino	29/09/2016

DESIGNED BY F.Dino	CHECKED AND APPROVED BY L. Paleari	REVISION	DATE 22/02/2016	CODE 44450
		GENERAL TOLLERANCE SS-ISO-2768-1M	UNIT mm	SCALE 2 of 2
		DESCRIPTION	MATERIAL Cold rolled steel	
DEVICE	PAIR WEIGHT 1,834 Kg	02C		

Property of RAM Industrie.
Without its written authorization the present drawing shall neither be used for construction anyway, communicated to third parties, nor reproduced.