
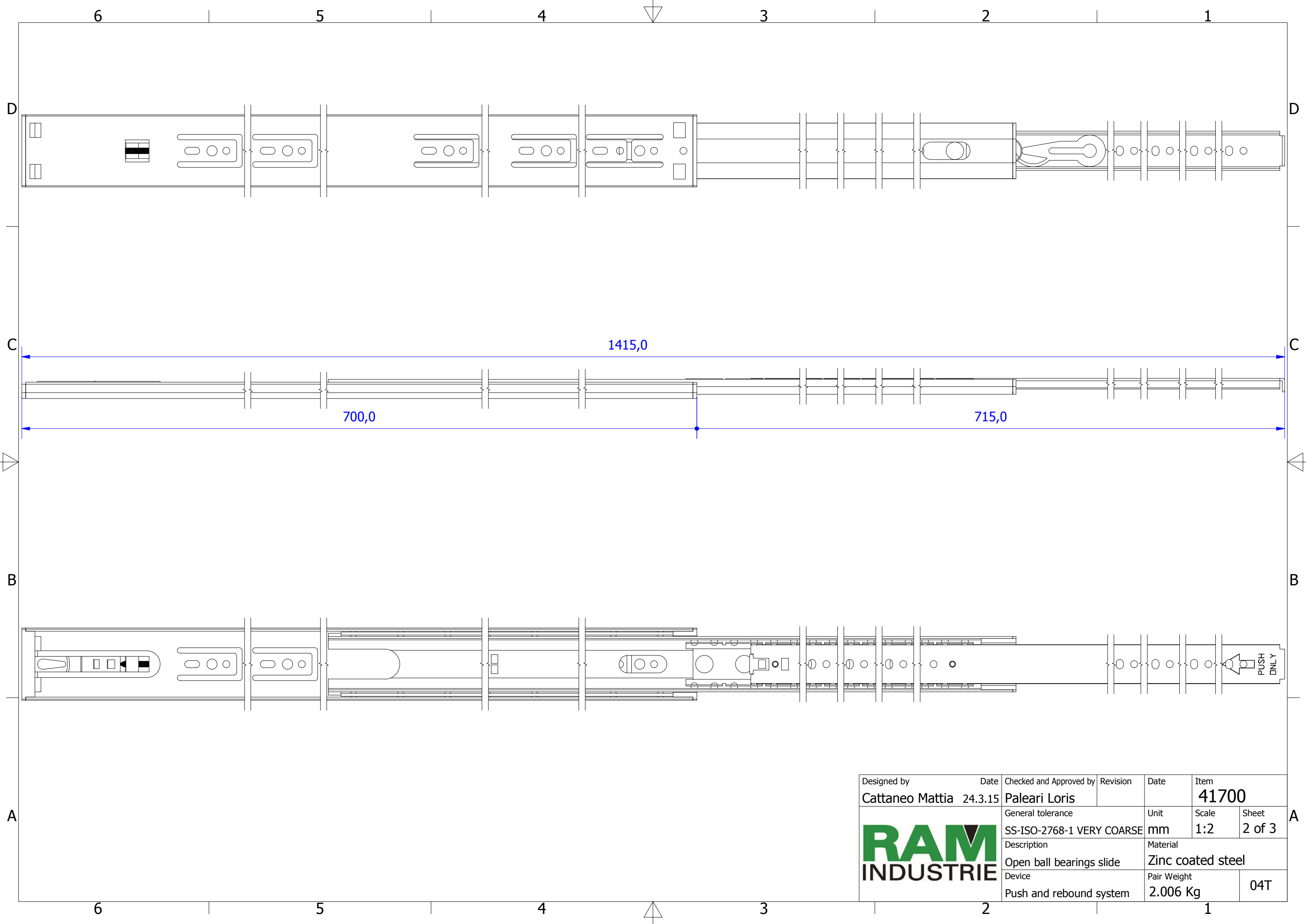
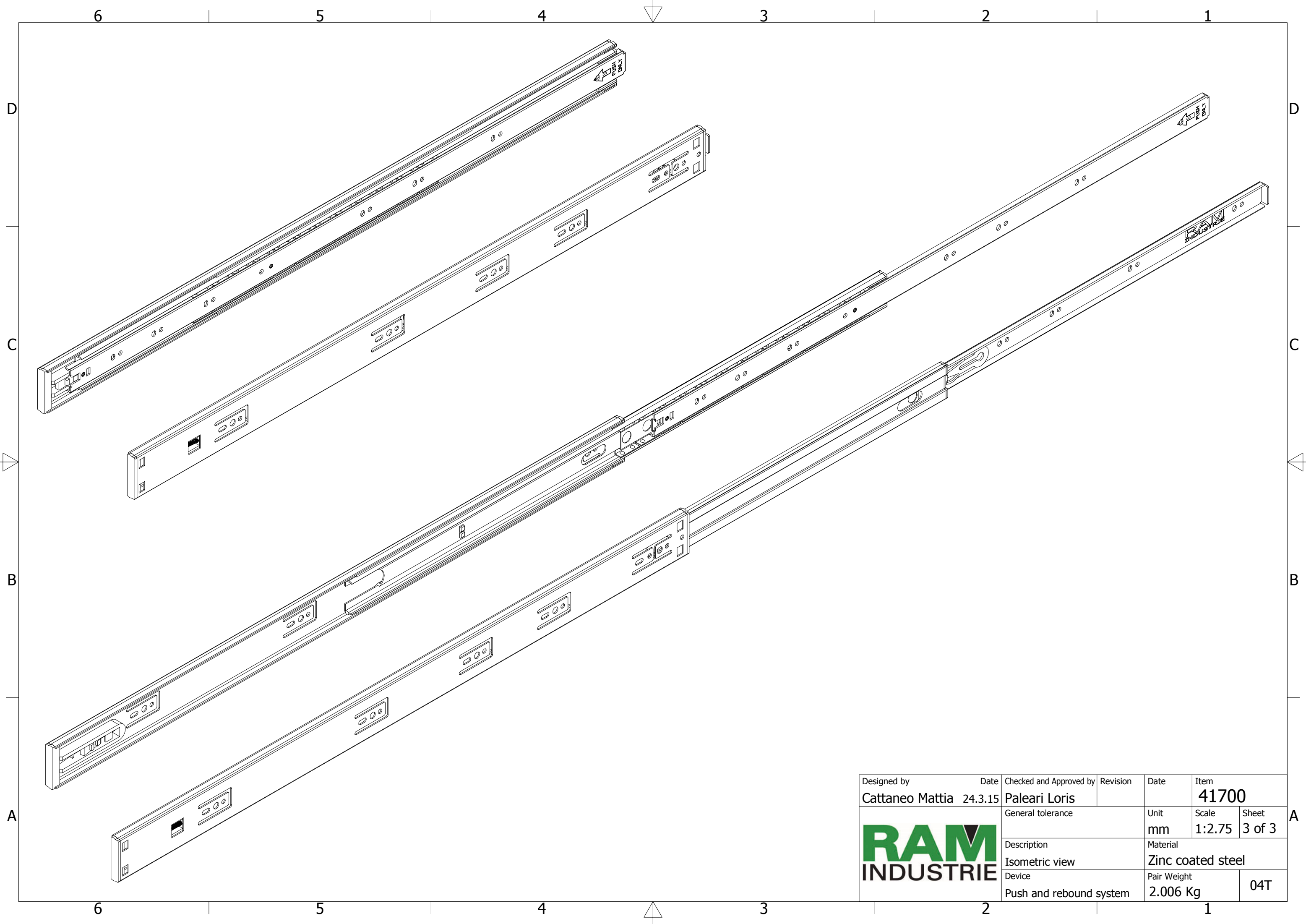


Designed by Cattaneo Mattia	Date 24.3.15	Checked and Approved by Paleari Loris	Revision	Date	Item 41700
			General tolerance SS-ISO-2768-1 MEDIUM	Unit mm	Scale 1:1.5
			Description Closed ball bearings slide Device Push and rebound system	Material Zinc coated steel	Sheet 1 of 3
				Pair Weight 2.006 Kg	04T



Designed by Cattaneo Mattia	Date 24.3.15	Checked and Approved by Paleari Loris	Revision	Date	Item 41700
RAM INDUSTRIE	General tolerance SS-ISO-2768-1 VERY COARSE		Unit mm	Scale 1:2	Sheet 2 of 3
	Description Open ball bearings slide		Material Zinc coated steel		
	Device Push and rebound system		Pair Weight 2.006 Kg	04T	



Designed by	Date	Checked and Approved by	Revision	Date	Item
Cattaneo Mattia	24.3.15	Paleari Loris			41700
General tolerance			Unit	Scale	Sheet
			mm	1:2.75	3 of 3
Description			Material		
Isometric view			Zinc coated steel		
Device			Pair Weight		
Push and rebound system			2.006 Kg		04T

