

Cage with 20 ball bearings pairs


C-C (2 : 1)

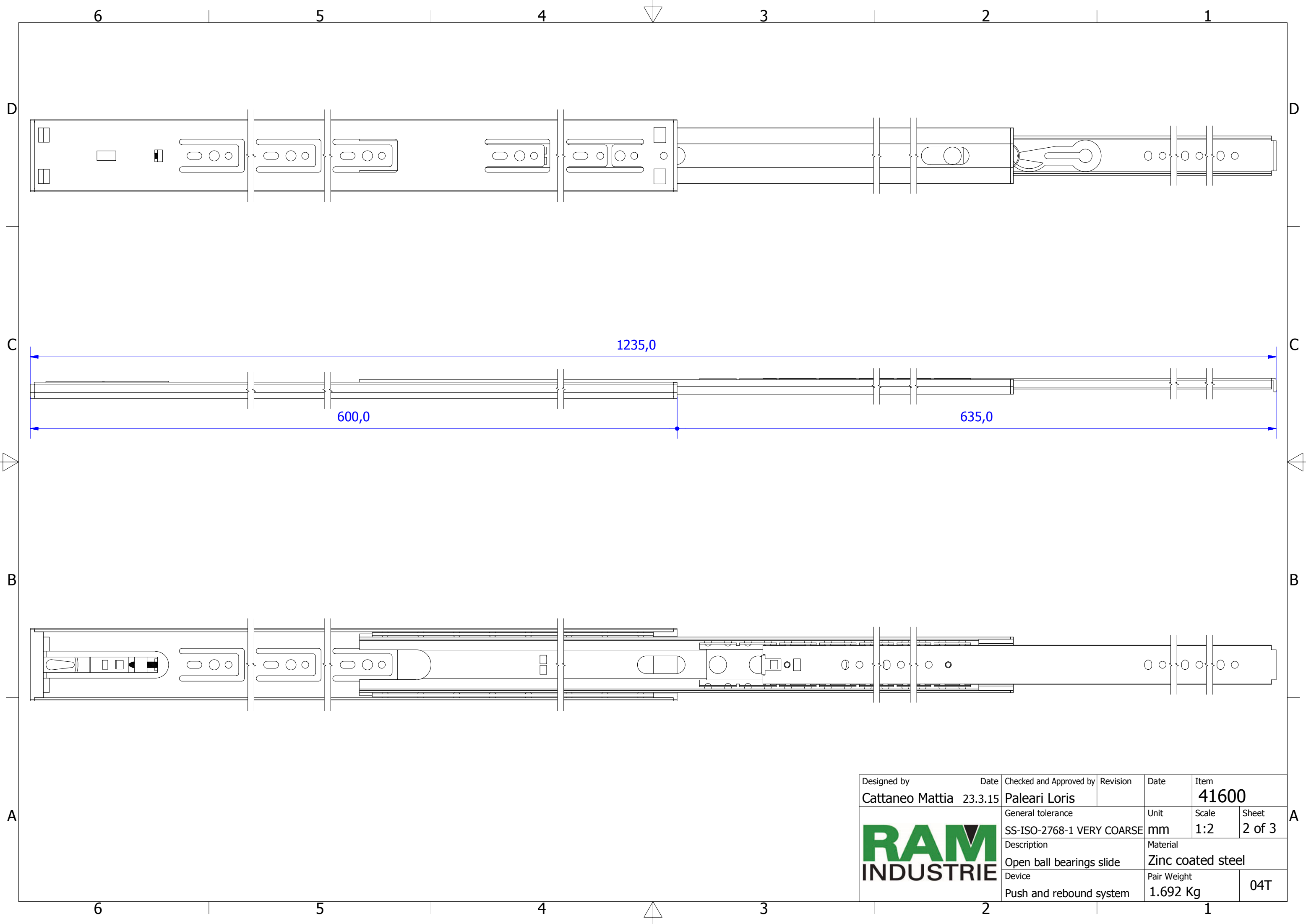
B (2 : 1)


A (2 : 1)

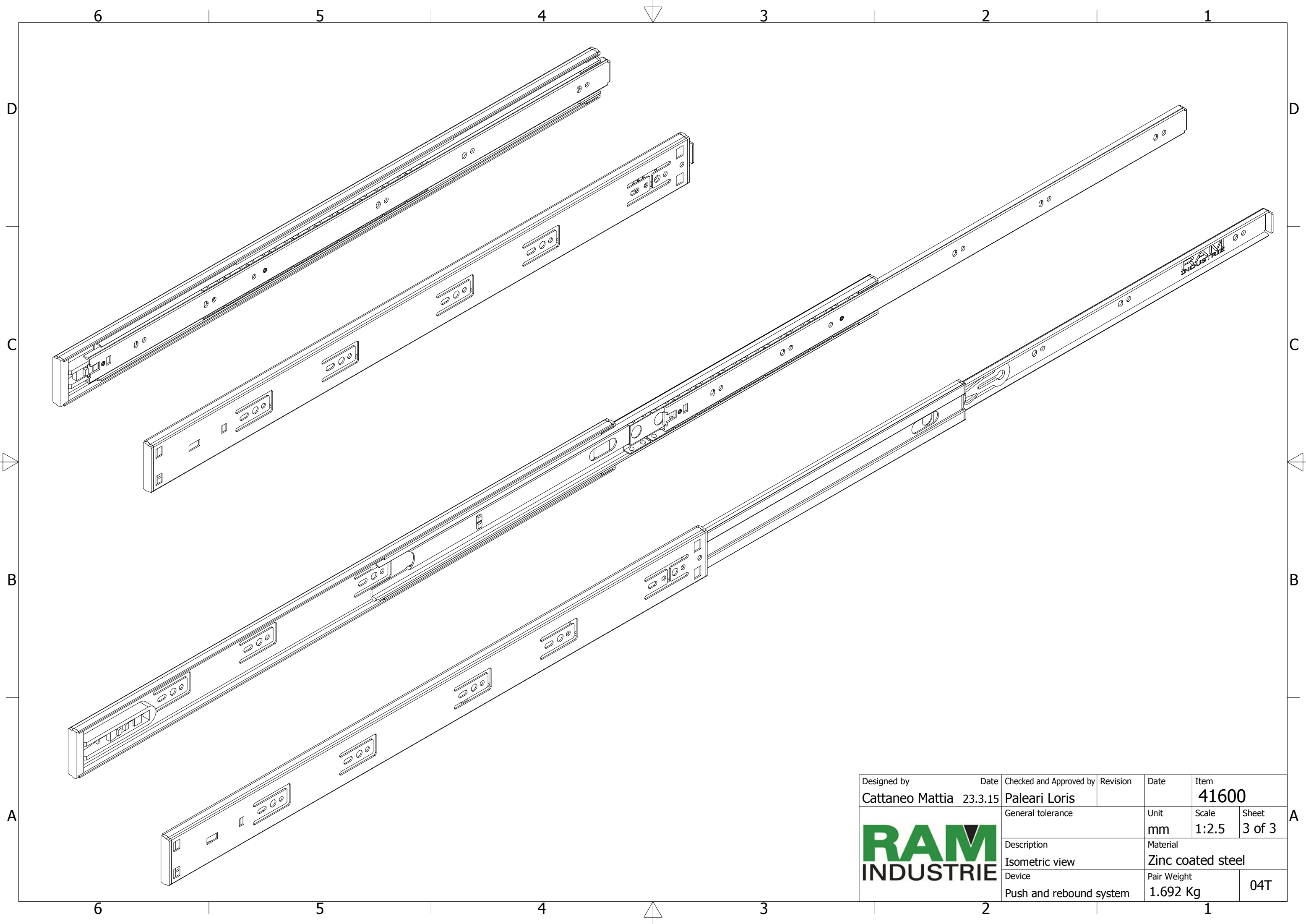
D (2 : 1)

E (2 : 1)

| | | | | | |
|---|-----------------|--|-------------------------------|----------------|-------------------------|
| Designed by Cattaneo Mattia | Date 23.3.15 | Checked and Approved by Paleari Loris | Revision | Date | Item 41600 |
|  | | General tolerance SS-ISO-2768-1 MEDIUM | Unit mm | Scale 1:1.5 | Sheet 1 of 3 |
| | | Description Closed ball bearings slide Device Push and rebound system | Material Zinc coated steel | | Pair Weight 1.692 Kg |



| | | | | | |
|---|--|---|-------------------------------|--------------|----------------------|
| Designed by Cattaneo Mattia | Date 23.3.15 | Checked and Approved by Paleari Loris | Revision | Date | Item 41600 |
|  | General tolerance SS-ISO-2768-1 VERY COARSE | | Unit mm | Scale 1:2 | Sheet 2 of 3 |
| | Description Open ball bearings slide | | Material Zinc coated steel | | |
| | Device Push and rebound system | | Pair Weight 1.692 Kg | 04T | |



| | | | | | |
|-------------------------|---------|-------------------------|-------------------|-------|--------|
| Designed by | Date | Checked and Approved by | Revision | Date | Item |
| Cattaneo Mattia | 23.3.15 | Paleari Loris | | | 41600 |
| General tolerance | | | Unit | Scale | Sheet |
| | | | mm | 1:2.5 | 3 of 3 |
| Description | | | Material | | |
| Isometric view | | | Zinc coated steel | | |
| Device | | | Pair Weight | | |
| Push and rebound system | | | 1.692 Kg | | 04T |

