
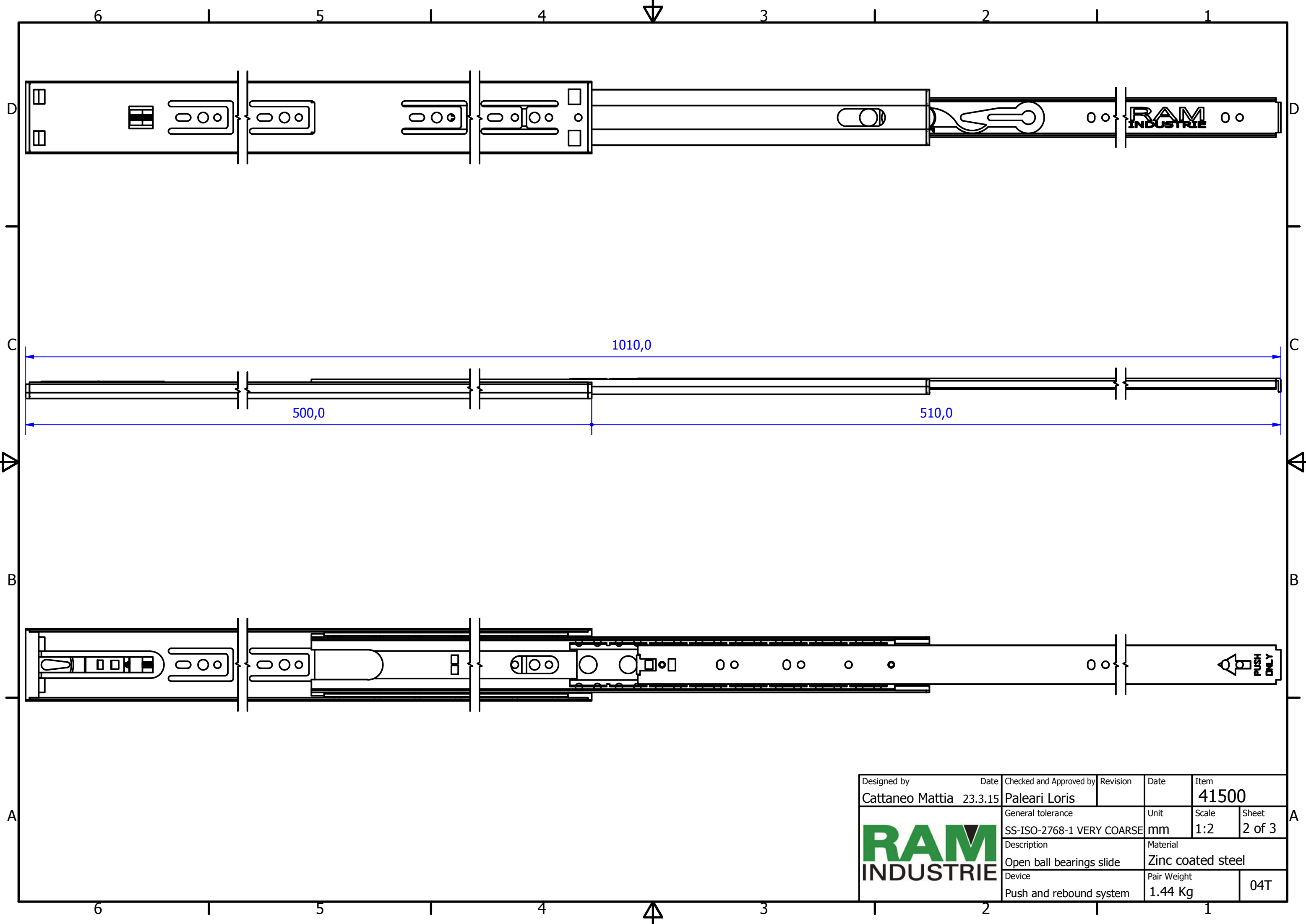



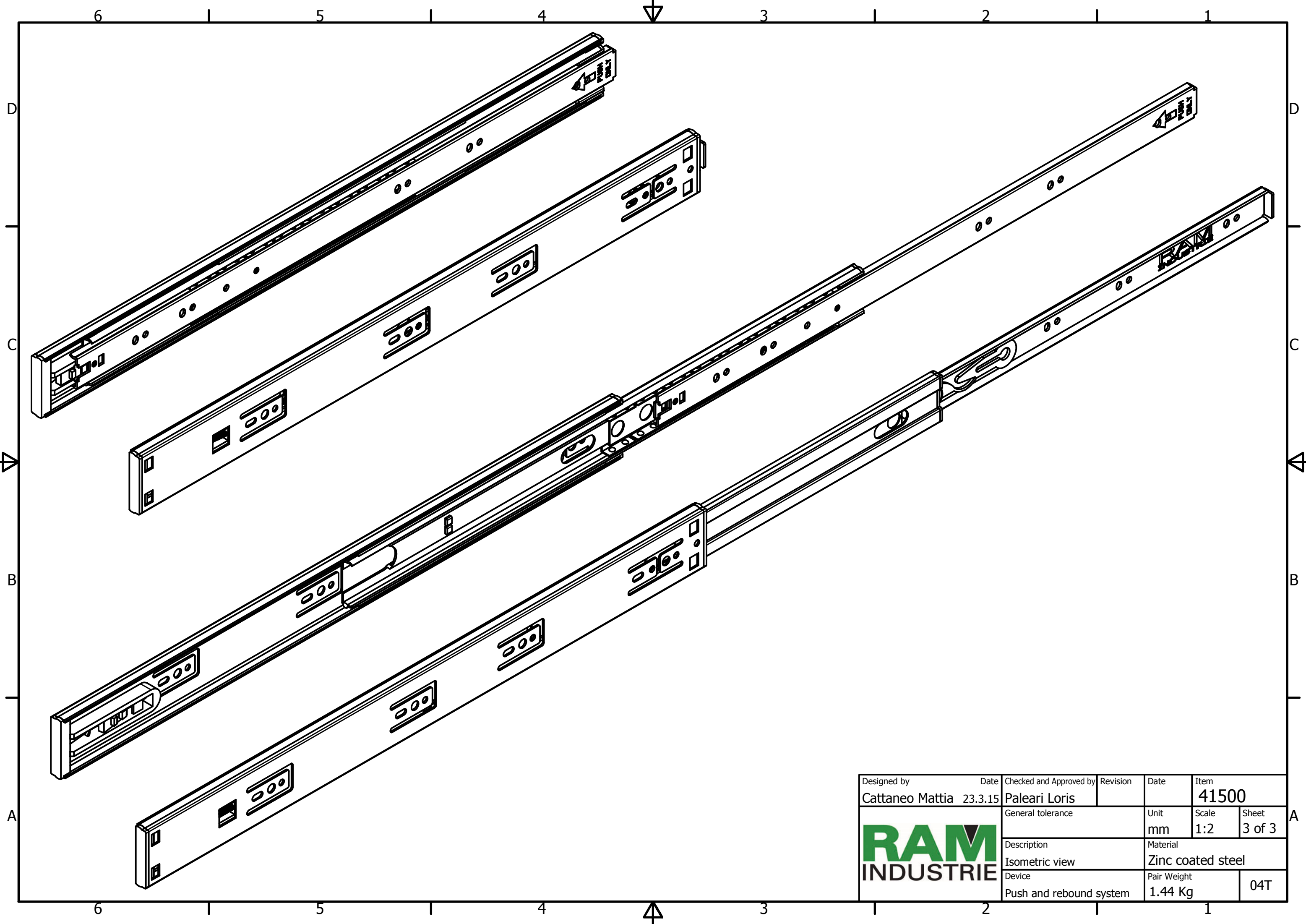
Cage with 16 ball bearings pairs


PUSH ONLY

Designed by <b>Cattaneo Mattia</b>	Date 23.3.15	Checked and Approved by <b>Paleari Loris</b>	Revision	Date	Item <b>41500</b>
		General tolerance SS-ISO-2768-1 MEDIUM	Unit mm	Scale 1:1.5	Sheet 1 of 3
		Description Closed ball bearings slide Device Push and rebound system	Material Zinc coated steel	Pair Weight 1.44 Kg	04T



Designed by Cattaneo Mattia	Date 23.3.15	Checked and Approved by Paleari Loris	Revision	Date	Item 41500
	General tolerance SS-ISO-2768-1 VERY COARSE		Unit mm	Scale 1:2	Sheet 2 of 3
	Description Open ball bearings slide		Material Zinc coated steel		
	Device Push and rebound system		Pair Weight 1.44 Kg	04T	



Designed by Cattaneo Mattia	Date 23.3.15	Checked and Approved by Paleari Loris	Revision	Date	Item 41500
			General tolerance		Unit mm
			Description Isometric view		Scale 1:2
Device Push and rebound system			Material Zinc coated steel		Pair Weight 1.44 Kg
					04T