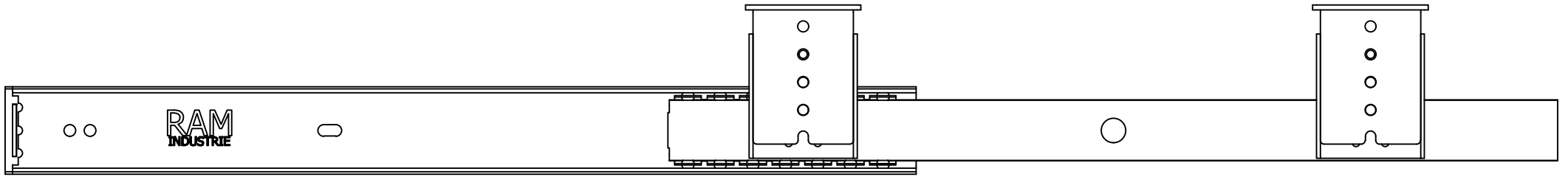
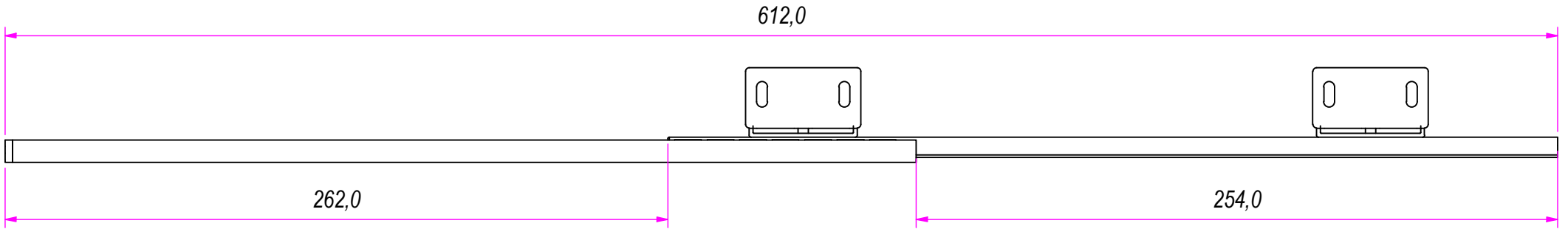
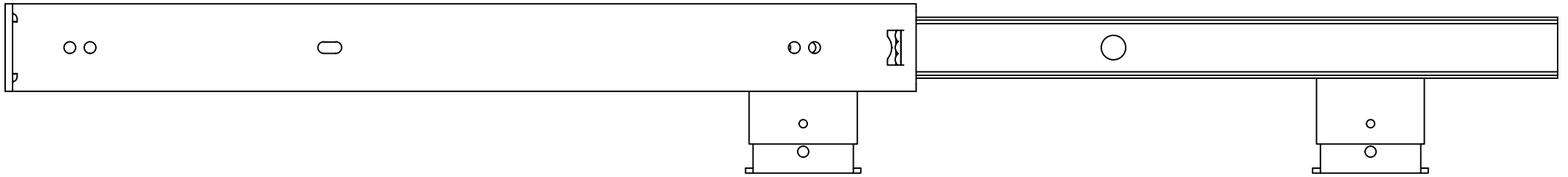



DESIGNED BY F.Dino	CHECKED AND APPROVED BY L. Paleari	DATE 23/11/2016	CODE 33350	
		GENERAL TOLLERANCE SS-ISO-2768-1M	UNIT mm	SCALE 1 of 3
		DESCRIPTION For keyboard extractable surfaces	MATERIAL Cold rolled steel	
DEVICE		PAIR WEIGHT 0,974 Kg	02C	

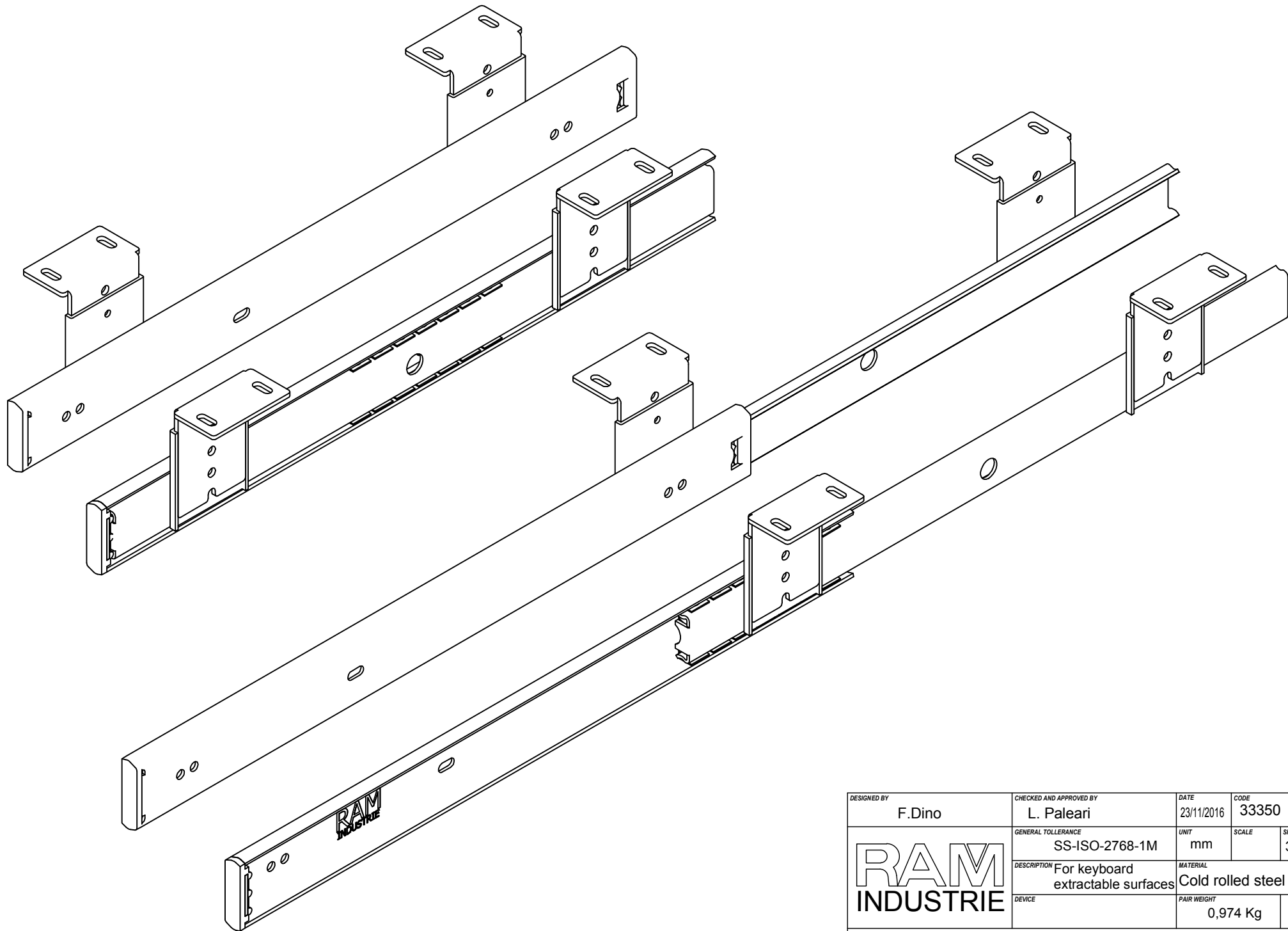
REVISION HISTORY			
REV	DESCRIPTION	APPROVED BY	DATE
1		F.Dino	23/11/2016


Property of RAM Industrie.
Without its written authorization the present drawing shall neither be used for construction anyway, communicated to third parties, nor reproduced.



REVISION HISTORY			
REV	DESCRIPTION	APPROVED BY	DATE
1		F.Dino	23/11/2016

DESIGNED BY F.Dino	CHECKED AND APPROVED BY L. Paleari	DATE 23/11/2016	CODE 33350
	GENERAL TOLLERANCE SS-ISO-2768-1M	UNIT mm	SCALE SHEET 2 of 3
	DESCRIPTION For keyboard extractable surfaces	MATERIAL Cold rolled steel	
	DEVICE	PAIR WEIGHT 0,974 Kg	02C
Property of RAM Industrie. Without its written authorization the present drawing shall neither be used for construction anyway, communicated to third parties, nor reproduced.			



DESIGNED BY F.Dino	CHECKED AND APPROVED BY L. Paleari	DATE 23/11/2016	CODE 33350
	GENERAL TOLLERANCE SS-ISO-2768-1M	UNIT mm	SCALE 3 of 3
	DESCRIPTION For keyboard extractable surfaces	MATERIAL Cold rolled steel	PAIR WEIGHT 0,974 Kg
DEVICE			02C

Property of RAM Industrie.
Without its written authorization the present drawing shall neither be used for construction anyway, communicated to third parties, nor reproduced.