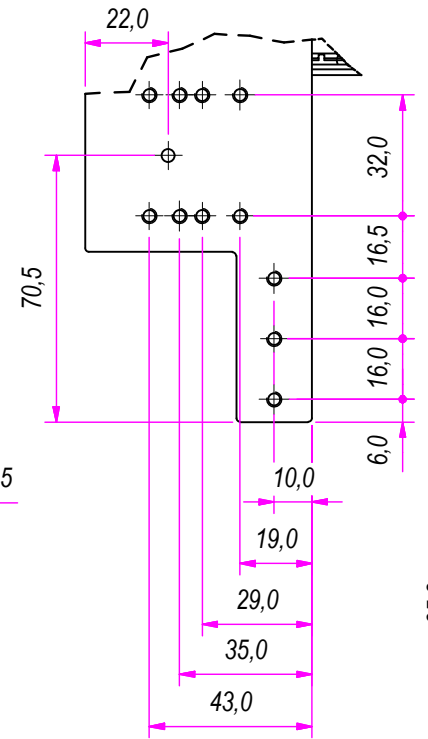
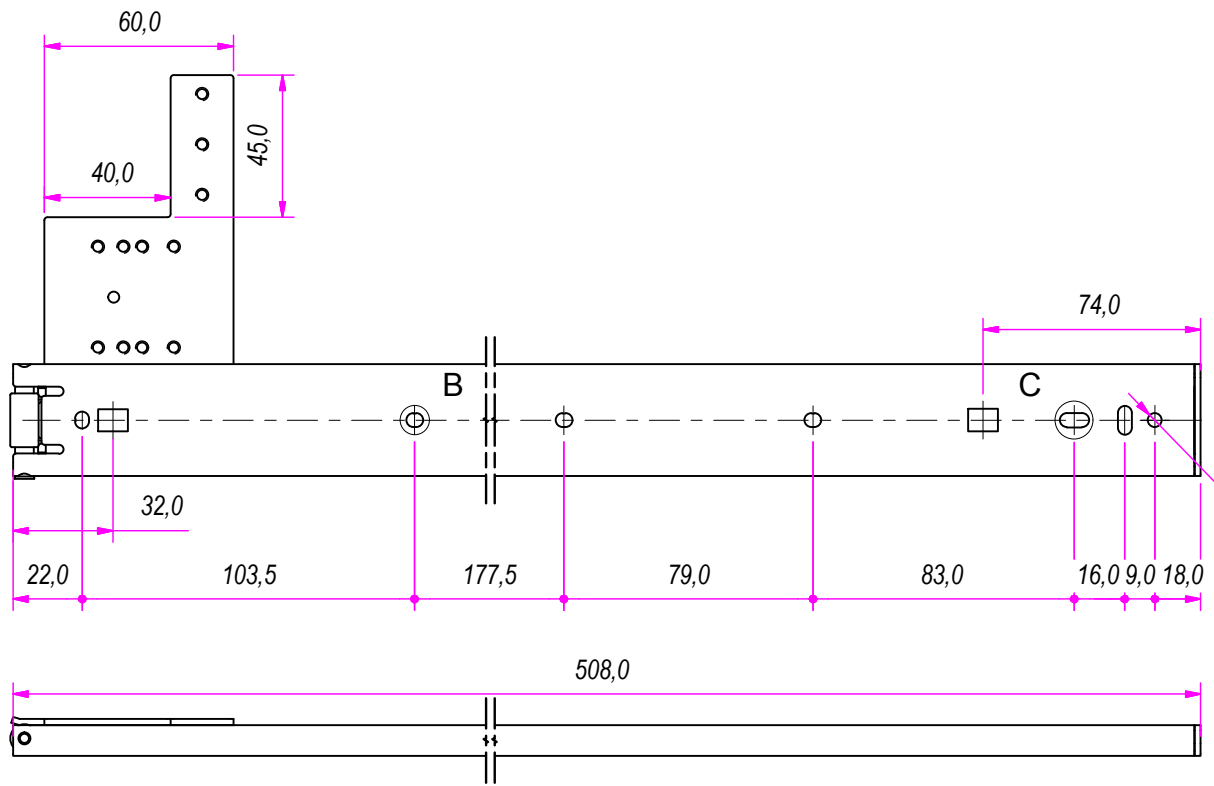
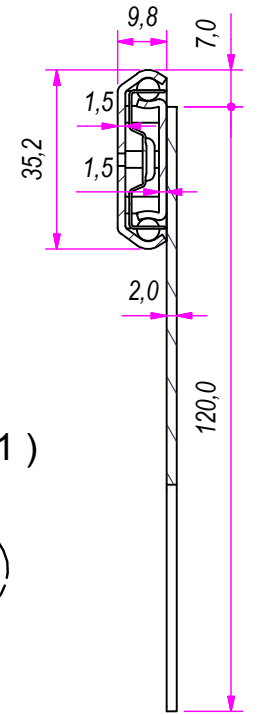


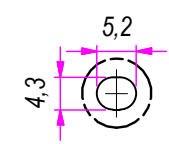
D (1:2)



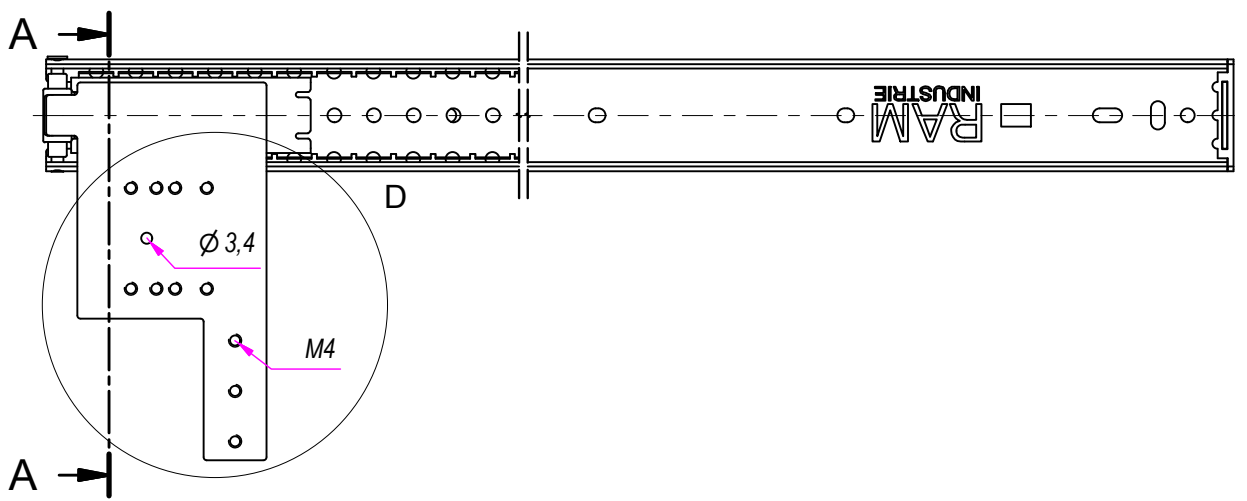
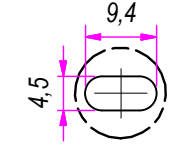
SEZ. A-A




B (1:1)

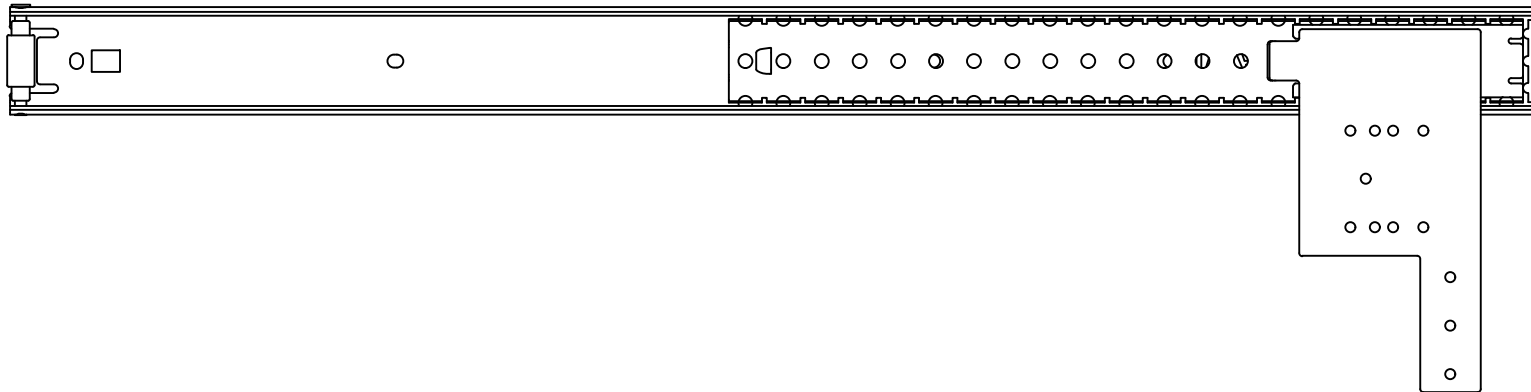
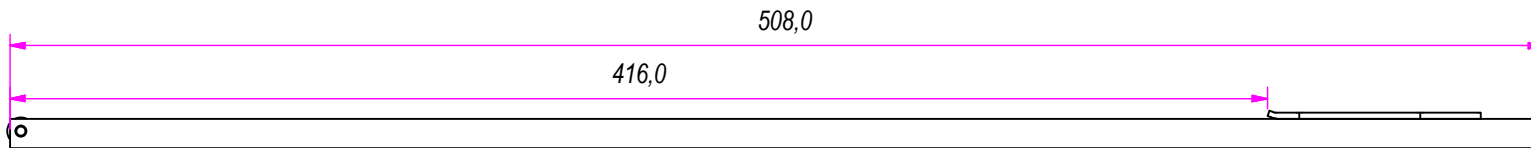
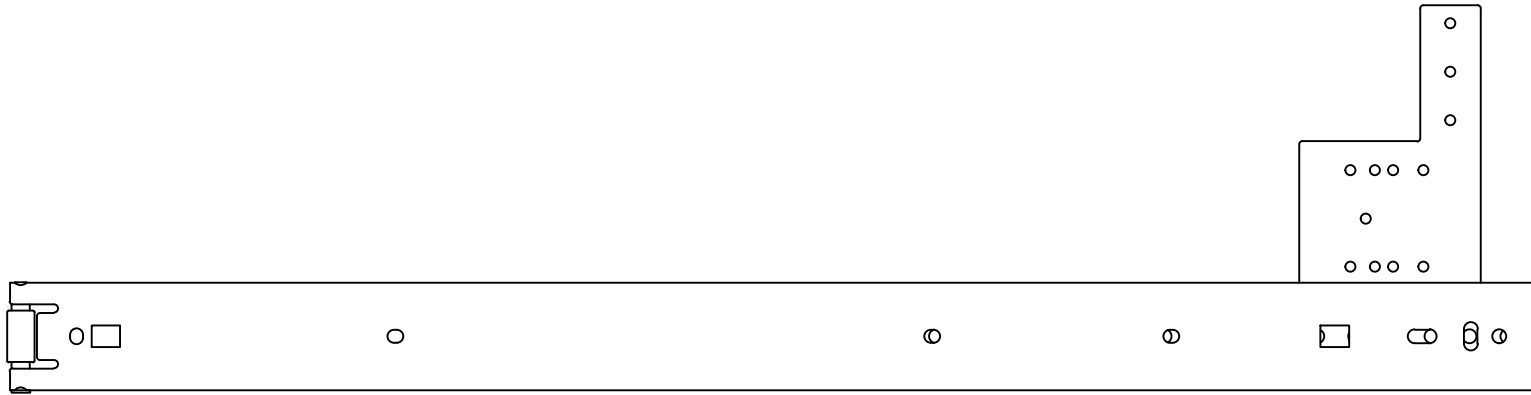


C (1:1)



REVISION HISTORY			
REV	DESCRIPTION	APPROVED BY	DATE
1		F.Dino	21/11/2016

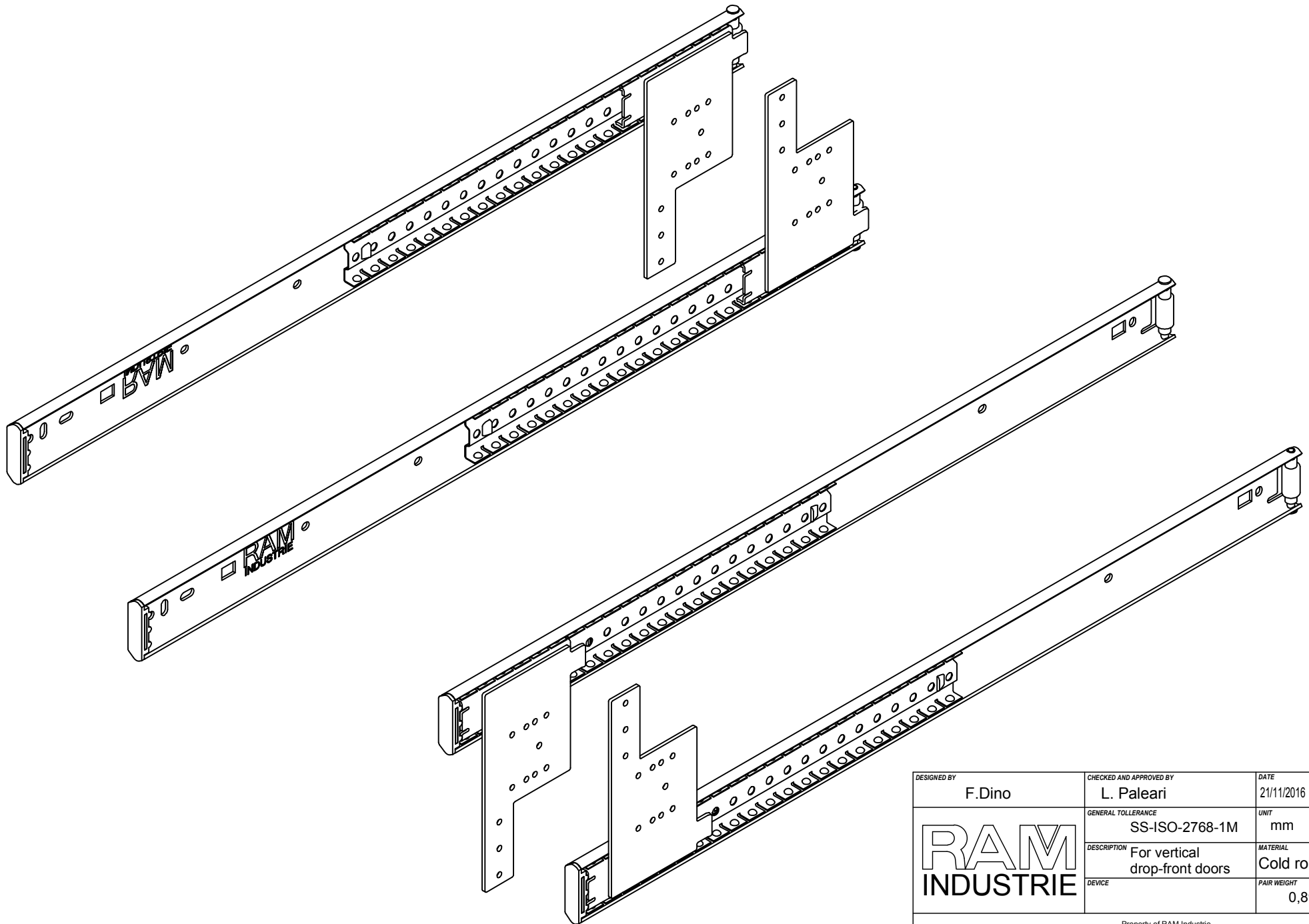
DESIGNED BY <b>F.Dino</b>	CHECKED AND APPROVED BY <b>L. Paleari</b>	DATE 21/11/2016	CODE <b>32500</b>	
		GENERAL TOLLERANCE SS-ISO-2768-1M	UNIT mm	SHEET 1 of 3
		DESCRIPTION For vertical drop-front doors	MATERIAL Cold rolled steel	
DEVICE		PAIR WEIGHT 0,892 Kg	02C	
Property of RAM Industrie. Without its written authorization the present drawing shall neither be used for construction anyway, communicated to third parties, nor reproduced.				




REVISION HISTORY			
REV	DESCRIPTION	APPROVED BY	DATE
1		F.Dino	21/11/2016

DESIGNED BY <b>F.Dino</b>	CHECKED AND APPROVED BY <b>L. Paleari</b>	DATE 21/11/2016	CODE <b>32500</b>
	GENERAL TOLLERANCE SS-ISO-2768-1M	UNIT mm	SCALE SHEET 2 of 3
	DESCRIPTION For vertical drop-front doors	MATERIAL Cold rolled steel	
	DEVICE	PAIR WEIGHT 0,892 Kg	02C

Property of RAM Industrie.  
Without its written authorization the present drawing shall neither be used for construction anyway, communicated to third parties, nor reproduced.



DESIGNED BY F.Dino	CHECKED AND APPROVED BY L. Paleari	DATE 21/11/2016	CODE 32500
	GENERAL TOLLERANCE SS-ISO-2768-1M	UNIT mm	SCALE 3 of 3
	DESCRIPTION For vertical drop-front doors	MATERIAL Cold rolled steel	
	DEVICE	PAIR WEIGHT 0,892 Kg	02C

Property of RAM Industrie.  
Without its written authorization the present drawing shall neither be used for construction anyway, communicated to third parties, nor reproduced.