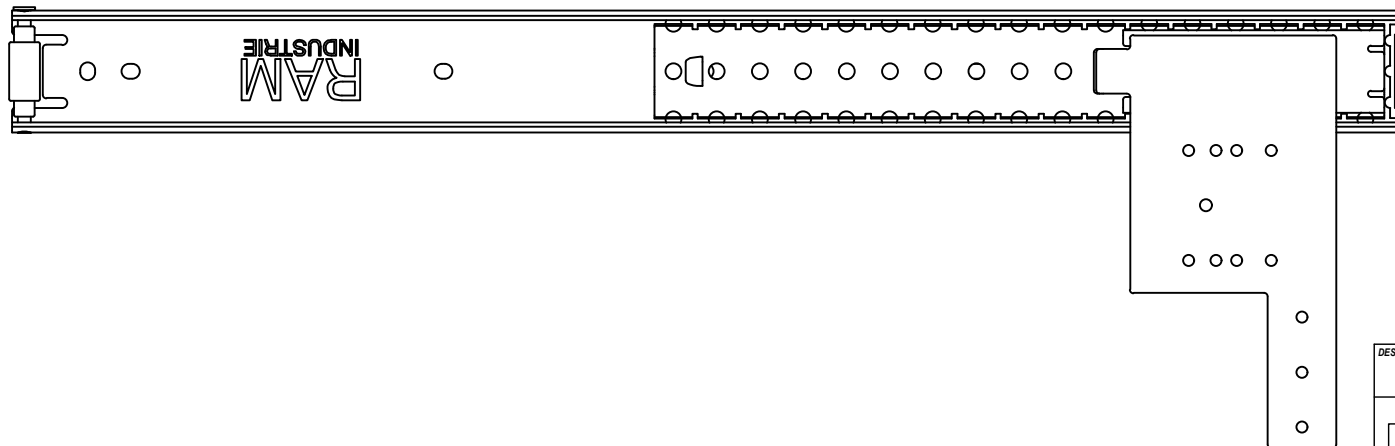
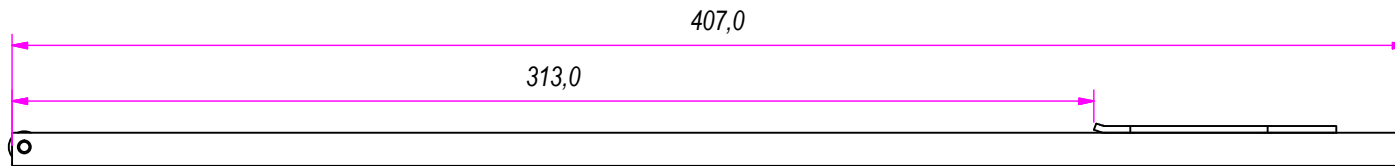
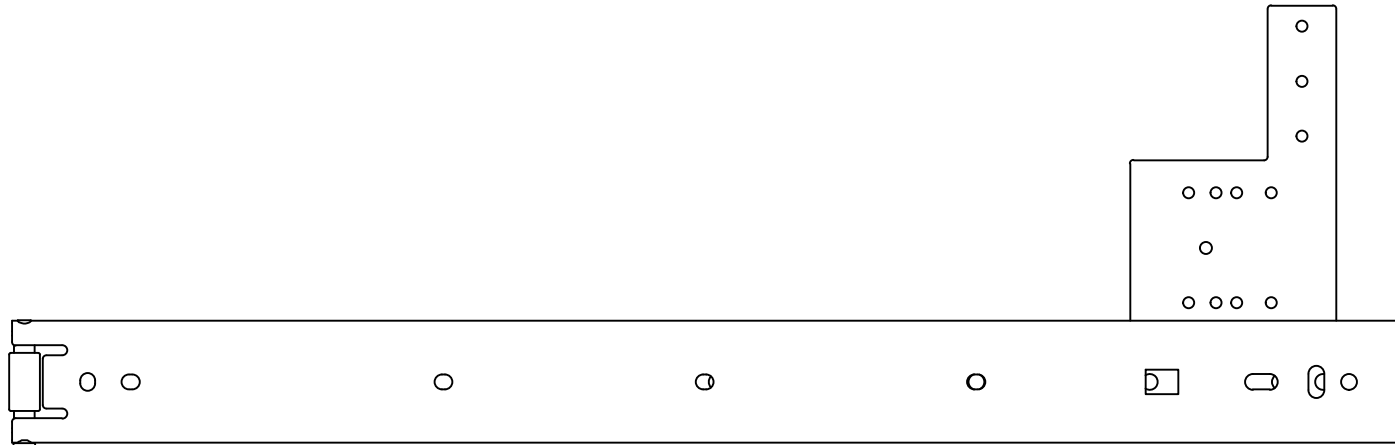


DESIGNED BY F.Dino	CHECKED AND APPROVED BY L. Paleari	DATE 21/11/2016	CODE 32400	
RAM INDUSTRIE		GENERAL TOLLERANCE SS-ISO-2768-1M	UNIT mm	SCALE 1 of 3
		DESCRIPTION For vertical drop-front doors	MATERIAL Cold rolled steel	
		DEVICE	PAIR WEIGHT 0,742 Kg	02C
<small>Property of RAM Industrie. Without its written authorization the present drawing shall neither be used for construction anyway, communicated to third parties, nor reproduced.</small>				

REVISION HISTORY			
REV	DESCRIPTION	APPROVED BY	DATE
1		F.Dino	21/11/2016

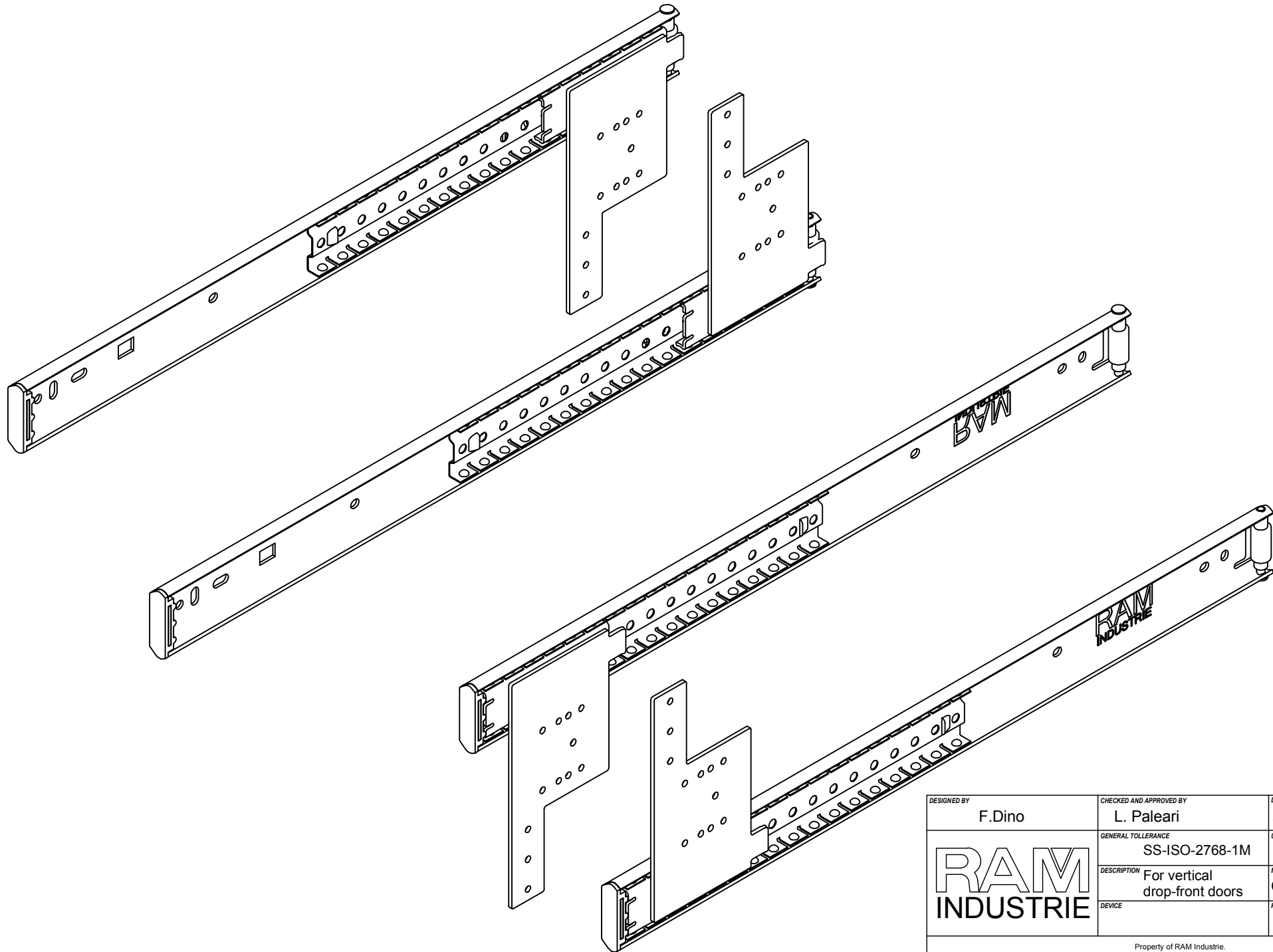



REVISION HISTORY			
REV	DESCRIPTION	APPROVED BY	DATE
1		F.Dino	21/11/2016

DESIGNED BY F.Dino	CHECKED AND APPROVED BY L. Paleari	DATE 21/11/2016	CODE 32400	
GENERAL TOLLERANCE SS-ISO-2768-1M		UNIT mm	SCALE	SHEET 2 of 3
DESCRIPTION For vertical drop-front doors		MATERIAL Cold rolled steel		
DEVICE		PAIR WEIGHT 0,742 Kg	02C	

RAM
INDUSTRIE

Property of RAM Industrie.
Without its written authorization the present drawing shall neither be used for construction anyway, communicated to third parties, nor reproduced.



DESIGNED BY F.Dino	CHECKED AND APPROVED BY L. Paleari	DATE 21/11/2016	CODE 32400
	GENERAL TOLLERANCE SS-ISO-2768-1M	UNIT mm	SCALE 3 of 3
	DESCRIPTION For vertical drop-front doors	MATERIAL Cold rolled steel	
	DEVICE	PAIR WEIGHT 0,742 Kg	02C

Property of RAM Industrie.
Without its written authorization the present drawing shall neither be used for construction anyway, communicated to third parties, nor reproduced.