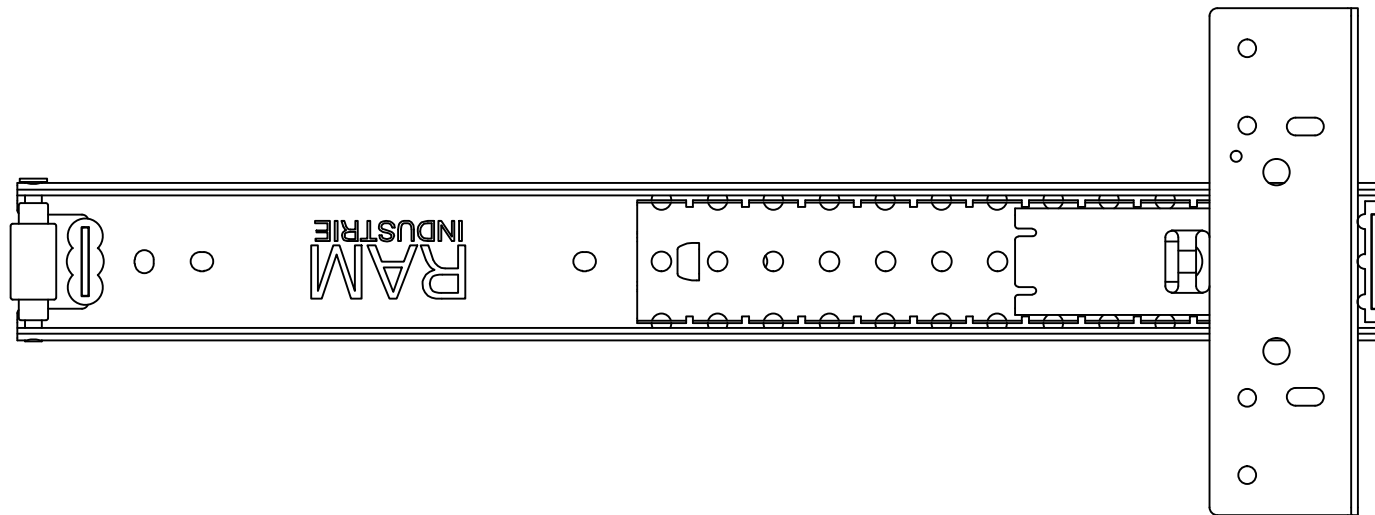
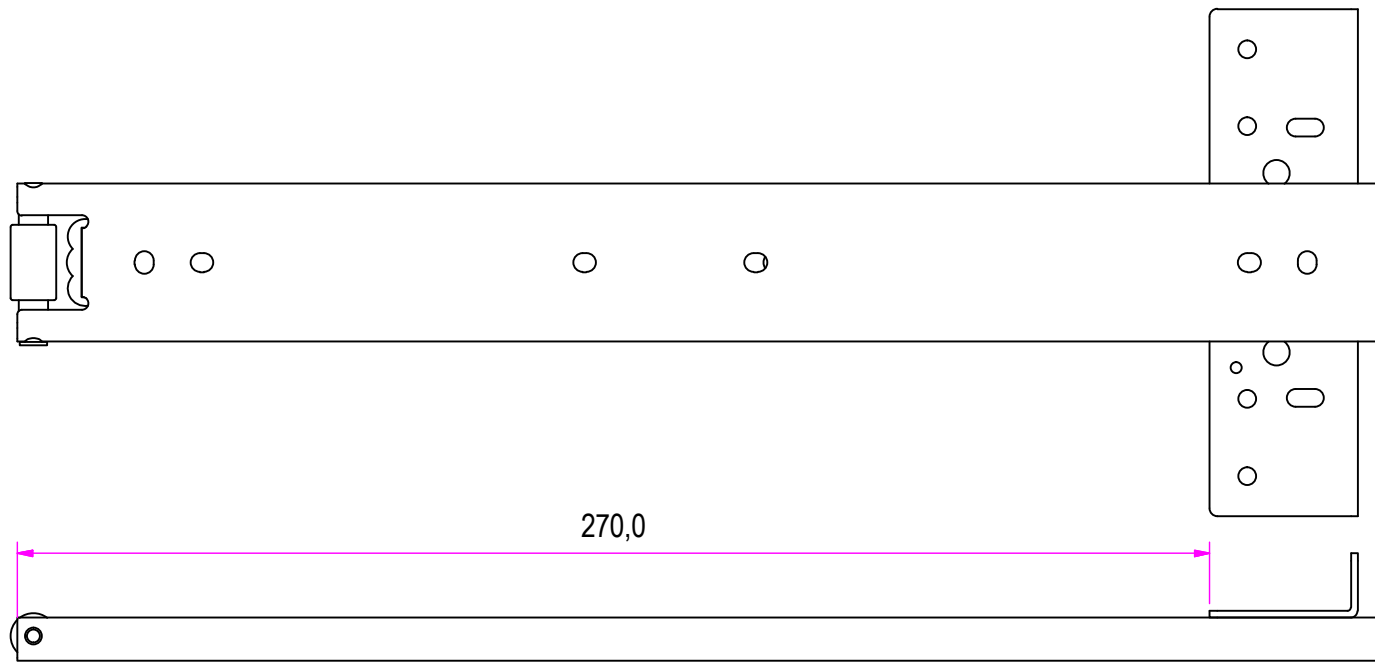



REVISION HISTORY			
REV	DESCRIPTION	APPROVED BY	DATE
1		F.Dino	18/11/2016

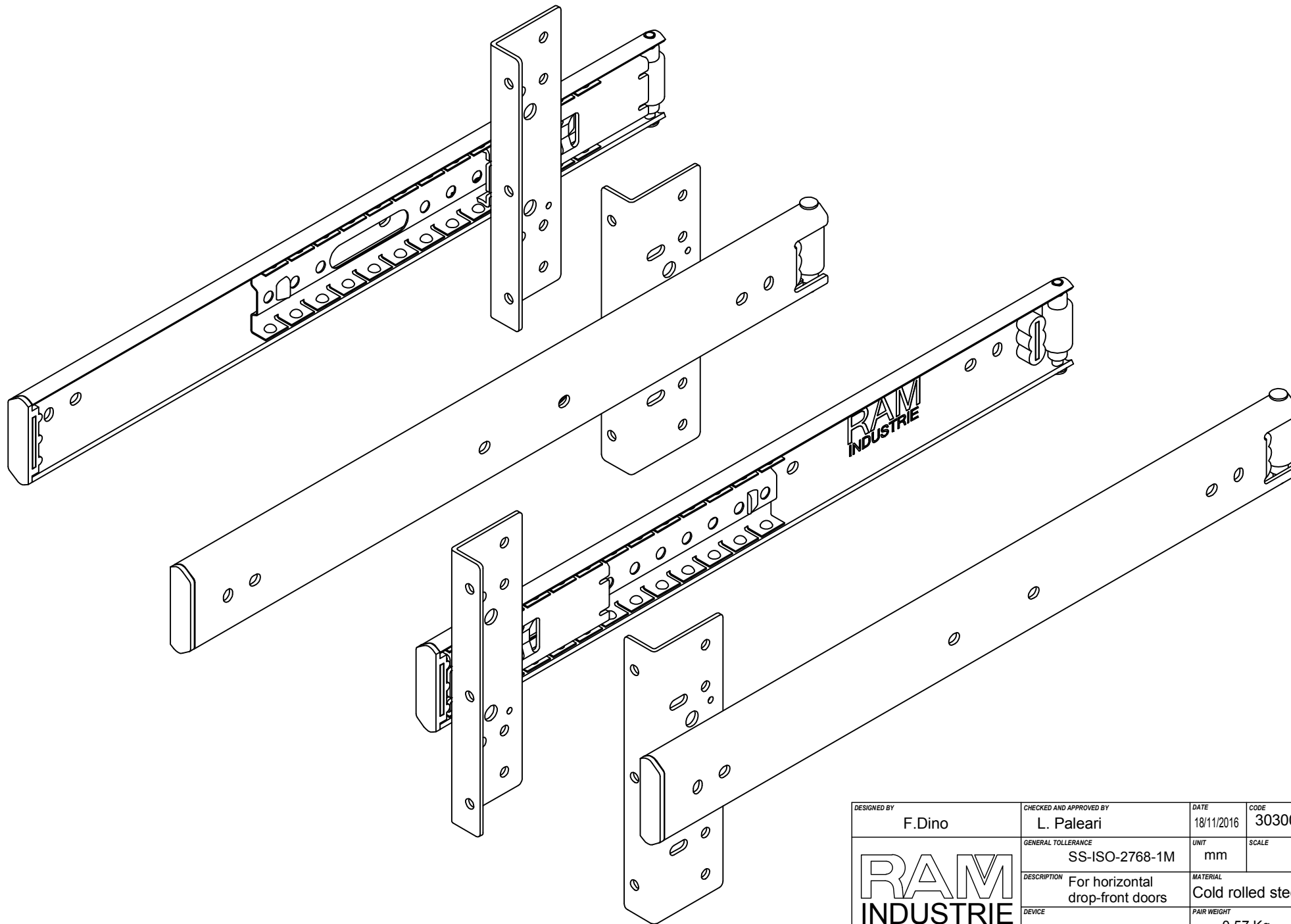
DESIGNED BY F.Dino	CHECKED AND APPROVED BY L. Paleari	DATE 18/11/2016	CODE 30300	
		GENERAL TOLLERANCE SS-ISO-2768-1M	UNIT mm	SCALE 1 of 3
		DESCRIPTION For horizontal drop-front doors	MATERIAL Cold rolled steel	PAIR WEIGHT 0,57 Kg
		Without its written authorization the present drawing shall neither be used for construction anyway, communicated to third parties, nor reproduced.		




REVISION HISTORY			
REV	DESCRIPTION	APPROVED BY	DATE
1		F.Dino	18/11/2016

DESIGNED BY F.Dino	CHECKED AND APPROVED BY L. Paleari	DATE 18/11/2016	CODE 30300
	GENERAL TOLLERANCE SS-ISO-2768-1M	UNIT mm	SCALE SHEET 2 of 3
	DESCRIPTION For horizontal drop-front doors	MATERIAL Cold rolled steel	
	DEVICE	PAIR WEIGHT 0,57 Kg	02C

Property of RAM Industrie.
Without its written authorization the present drawing shall neither be used for construction anyway, communicated to third parties, nor reproduced.



DESIGNED BY F.Dino	CHECKED AND APPROVED BY L. Paleari	DATE 18/11/2016	CODE 30300
	GENERAL TOLLERANCE SS-ISO-2768-1M	UNIT mm	SCALE SHEET 3 of 3
	DESCRIPTION For horizontal drop-front doors	MATERIAL Cold rolled steel	
	DEVICE	PAIR WEIGHT 0,57 Kg	02C

Property of RAM Industrie.
Without its written authorization the present drawing shall neither be used for construction anyway, communicated to third parties, nor reproduced.