
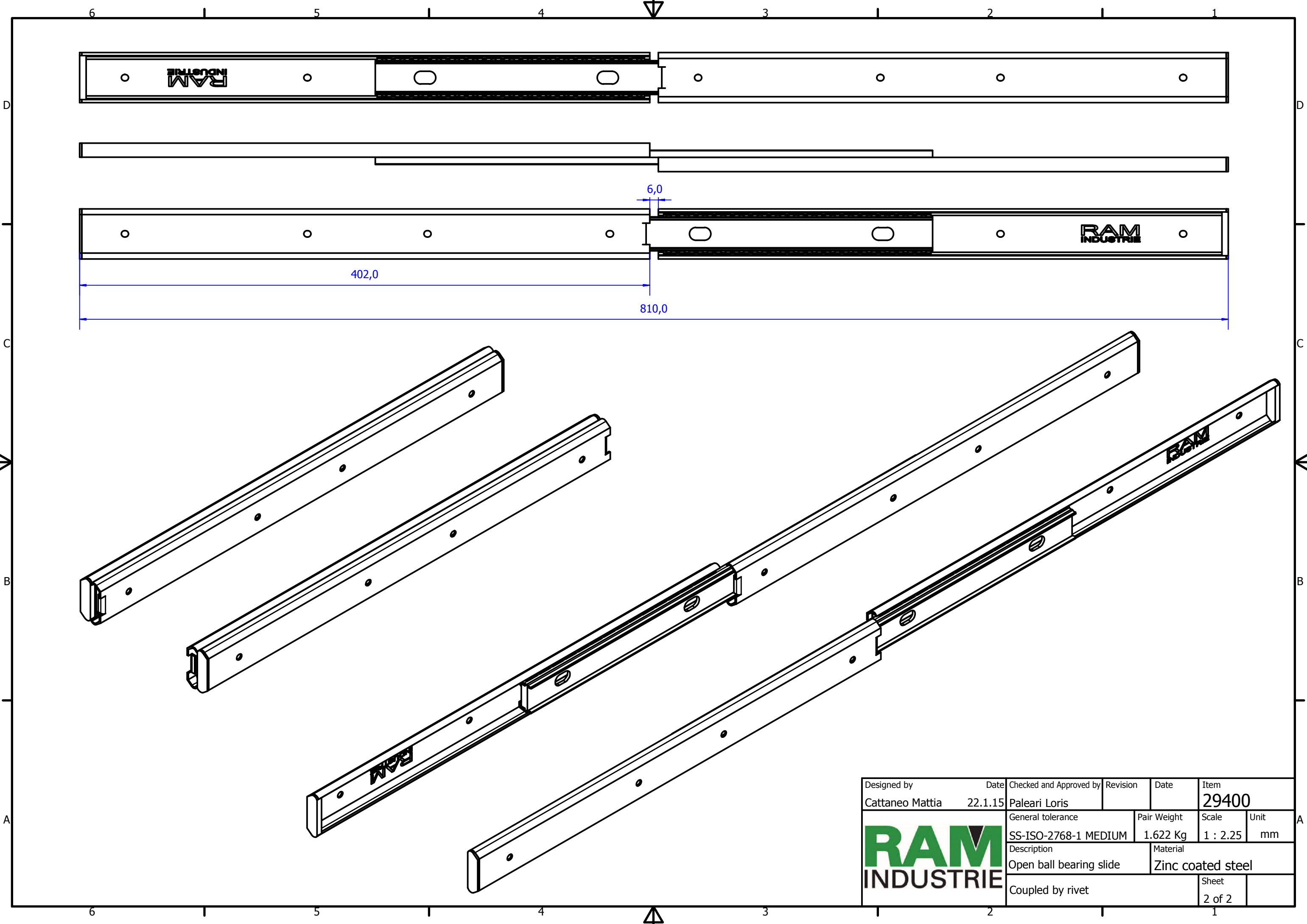


Designed by	Date	Checked and Approved by	Revision	Date	Item
Cattaneo Mattia	22.1.15	Paleari Loris			29400
	General tolerance		Pair Weight	Scale	Unit
	SS-ISO-2768-1 MEDIUM		1.622 Kg	1 : 1.25	mm
	Description		Material		
Closed ball bearing slide		Zinc coated steel			
Coupled by rivet				Sheet	
				1 of 2	



Designed by	Date	Checked and Approved by	Revision	Date	Item
Cattaneo Mattia	22.1.15	Paleari Loris			29400
General tolerance			Pair Weight	Scale	Unit
SS-ISO-2768-1 MEDIUM			1.622 Kg	1 : 2.25	mm
Description				Material	
Open ball bearing slide				Zinc coated steel	
Coupled by rivet					Sheet
					2 of 2

