
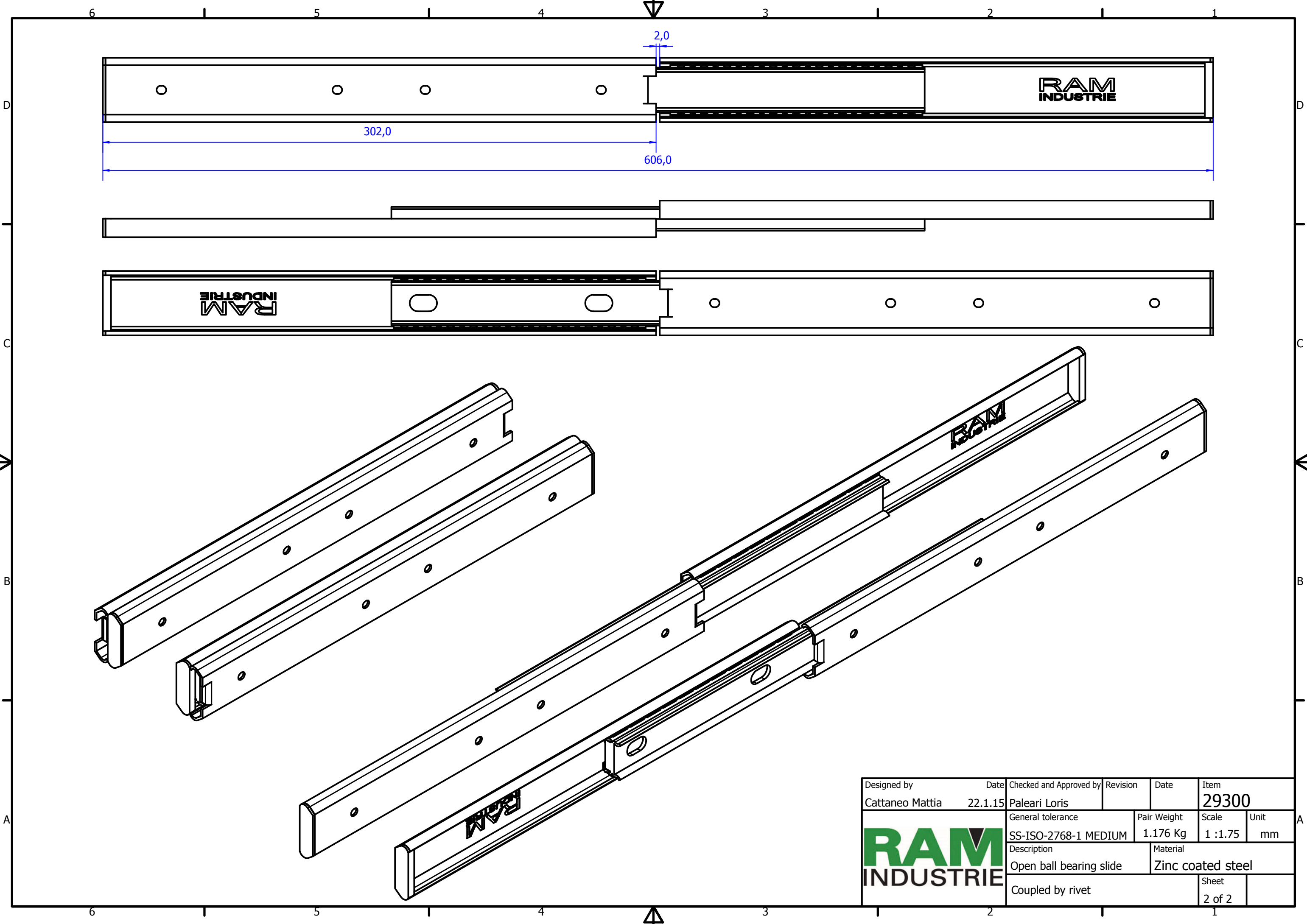


Designed by	Date	Checked and Approved by	Revision	Date	Item	
Cattaneo Mattia	22.1.15	Paleari Loris			29300	
			General tolerance	Pair Weight	Scale	Unit
			SS-ISO-2768-1 MEDIUM	1.176 Kg	1 : 1	mm
Description				Material		
Closed ball bearing slide				Zinc coated steel		
Coupled by rivet					Sheet	
					1 of 2	



Designed by	Date	Checked and Approved by	Revision	Date	Item
Cattaneo Mattia	22.1.15	Paleari Loris			29300
General tolerance			Pair Weight	Scale	Unit
SS-ISO-2768-1 MEDIUM			1.176 Kg	1 :1.75	mm
Description			Material		
Open ball bearing slide			Zinc coated steel		
Coupled by rivet				Sheet	
				2 of 2	

