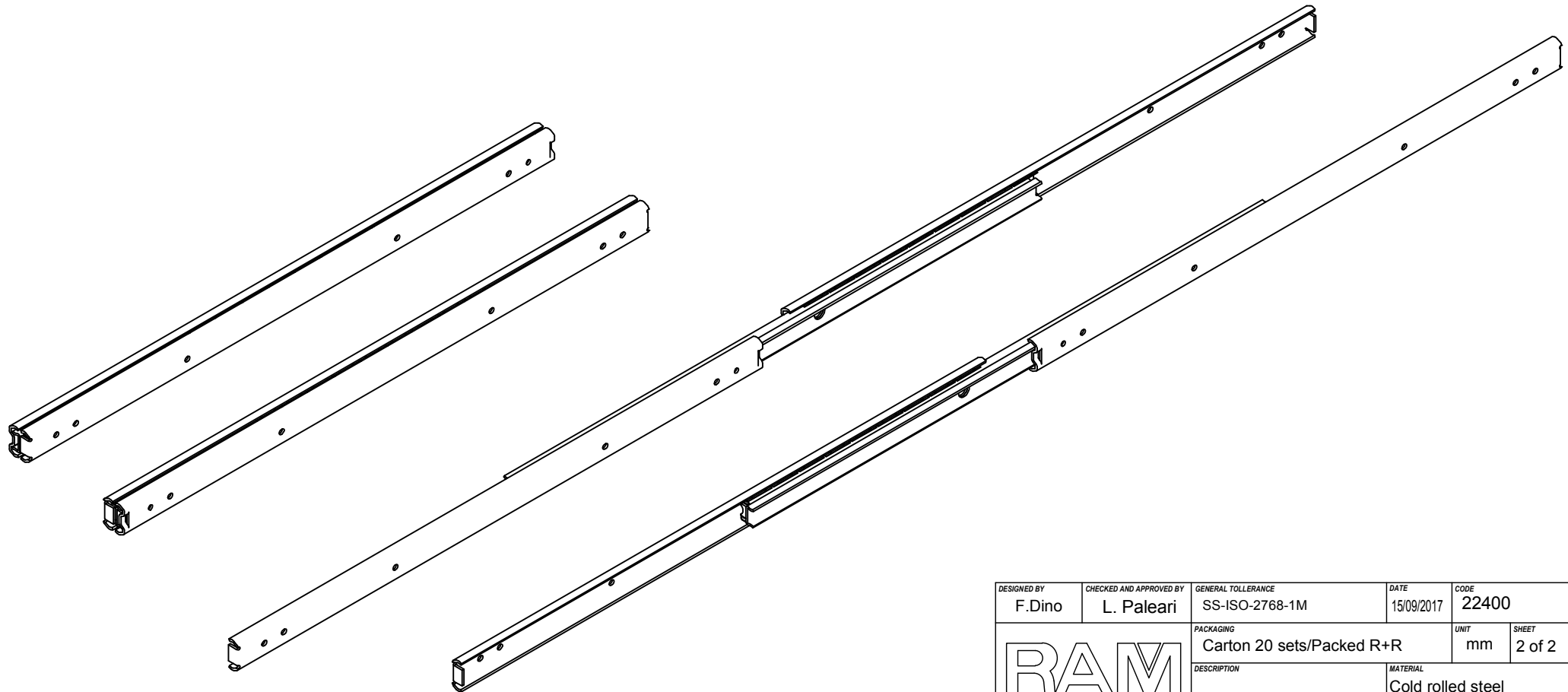
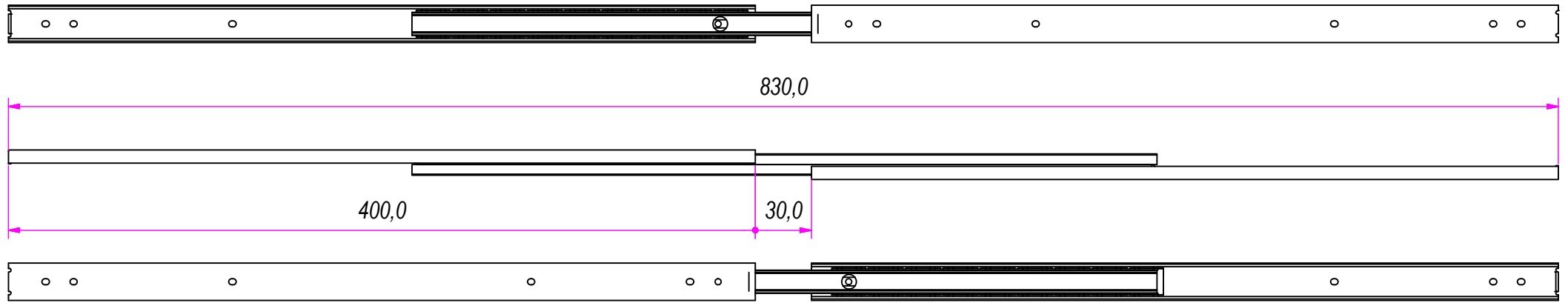


Guide per cassetti; guide telescopiche	Coulisses à billes; coulisse télescopique	REVISION HISTORY	
Drawer slide; telescopic ball bearing slide	Guías para cajones; guía teleópica	REV	DESCRIPTION
Kugelführung; Teleskopschienen		1a	15/09/2017

DESIGNED BY F.Dino	CHECKED AND APPROVED BY L. Paleari	GENERAL TOLERANCE SS-ISO-2768-1M	DATE 15/09/2017	CODE 22400
PACKAGING Carton 20 sets/Packed R+R			UNIT mm	SHEET 1 of 2
DESCRIPTION <b>RAM INDUSTRIE</b>			MATERIAL Cold rolled steel	
DEVICE			PAIR WEIGHT 0,83 Kg	12C
Property of RAM Industrie. Without its written authorization the present drawing shall neither be used for construction anyway, communicated to third parties, nor reproduced.				



Guide per cassetti; guide telescopiche	Coulisses à billes; coulisse télescopique	REVISION HISTORY	
Drawer slide; telescopic ball bearing slide	Guías para cajones; guía teleópica	REV	DESCRIPTION
Kugelführung; Teleskopschienen		1a	15/09/2017

DESIGNED BY F. Dino	CHECKED AND APPROVED BY L. Paleari	GENERAL TOLERANCE SS-ISO-2768-1M	DATE 15/09/2017	CODE 22400
		PACKAGING Carton 20 sets/Packed R+R	UNIT mm	SHEET 2 of 2
		MATERIAL Cold rolled steel		
		DEVICE	PAIR WEIGHT 0,83 Kg	12C
Property of RAM Industrie. Without its written authorization the present drawing shall neither be used for construction anyway, communicated to third parties, nor reproduced.				